

UNDERMOUNT BATH K-895

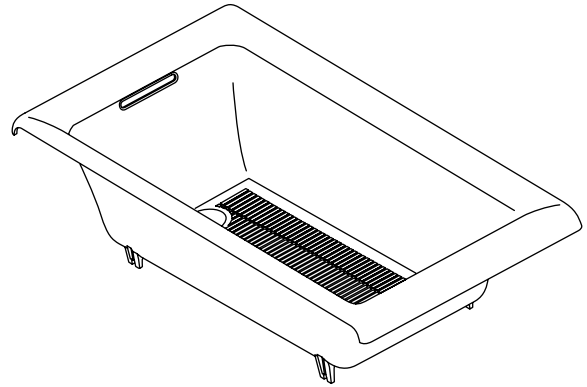
Features

- Cast iron with Safeguard® finish
- Undermount installation
- Comfort Depth™ with low step-over height and slotted overflow increases bathing depth
- Less all trim
- 65-7/8" (167.3 cm) x 32-5/16" (82.1 cm) x 18" (45.7 cm)

Codes/Standards Applicable

Specified model meets or exceeds the following:

- ASME A112.19.1/CSA B45.2
- State of Massachusetts



Colors/Finishes

- 0: White
- Other: Refer to Price Book for additional colors/finishes

Accessories

- CP: Polished Chrome
- Other: Refer to Price Book for additional colors/finishes

Specified Model

Model	Description	Colors/Finishes	
K-895	Undermount bath	<input type="checkbox"/> 0	<input type="checkbox"/> Other _____
Required Accessories			
K-7272	Clearflo slotted overflow bath drain	<input type="checkbox"/> CP	<input type="checkbox"/> Other _____
Optional Accessories			
K-1172	Adjustable feet	<input type="checkbox"/> NA	

Product Specification

The undermount bath shall be made of cast iron with Safeguard finish. Product shall be 65-7/8" (167.3 cm) in length, 32-5/16" (82.1 cm), and 18" (45.7 cm) in height. Bath shall be for undermount installation. Product shall feature Comfort Depth with low step-over height and slotted overflow which increases bathing depth. Product shall be less all trim. Undermount bath shall be Kohler Model K-895-_____.

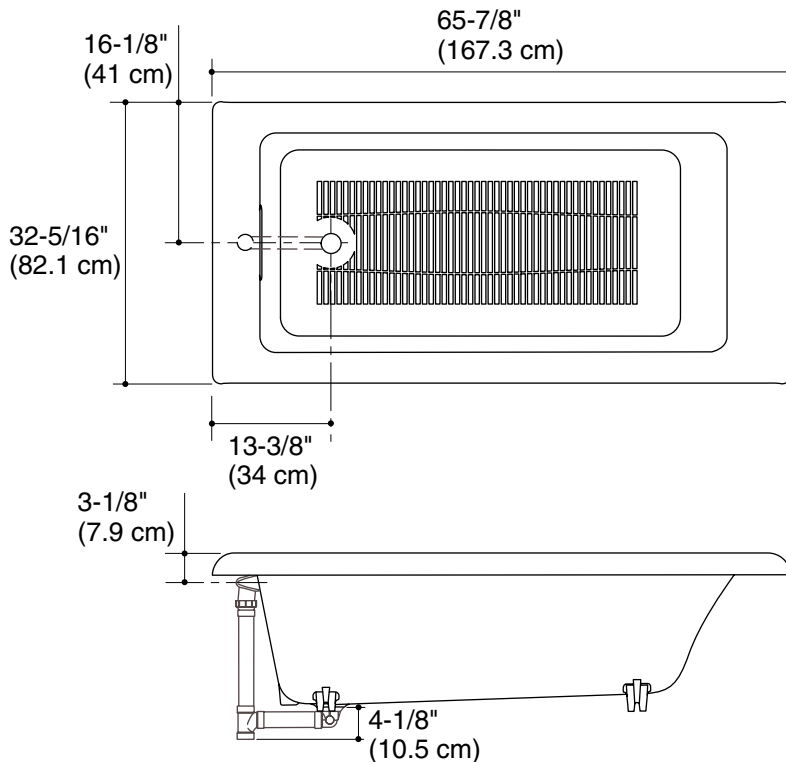
Technical Information

Fixture*:	
Bathing well:	
Basin area, bottom	45-3/4" (116.2 cm) x 21-3/8" (54.3 cm)
Basin area, top	60-7/8" (154.6 cm) x 30" (76.2 cm)
Weight	360 lbs (163.3 kg)
To overflow:	
Water depth	13-7/8" (35.2 cm)
Capacity	61 gal (231 L)
* Approximate measurements for comparison only.	
Included component:	
Undermount template	1106074-7

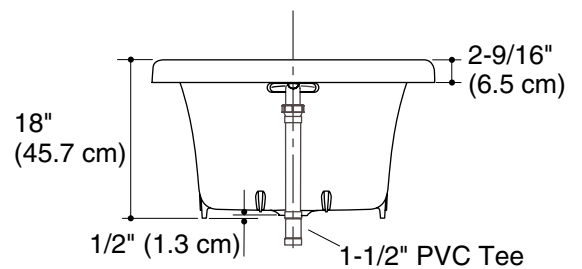
Installation Notes

Install this product according to the installation guide.

Floor support under bath must provide for minimum of 61 lbs/square foot (296 kg/square meter) loading.



No change in measurements with drain shown. (K-7272)



Product Diagram