

**SERVICE SINK FAUCET
K-8908**

ADA

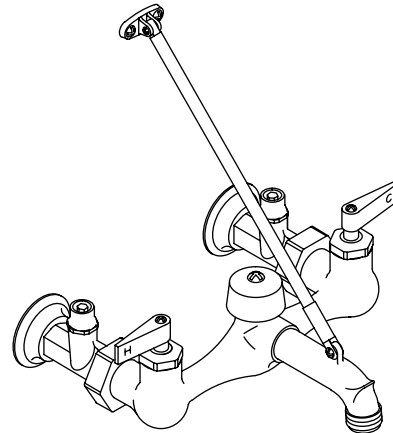
Features

- Brass construction
- For 8" (20.3 cm) centers
- Brass valve bodies
- Valvet® valves
- Lever handles
- Vacuum breaker
- Loose key stops in shanks
- Wall brace
- Pail hook
- 4-5/8" (11.7 cm) threaded spout for hose connection
- 8-5/8" (21.9 cm) wall-to-spout outlet

Codes/Standards Applicable

Specified model meets or exceeds the following:

- ASME A112.18.1
- IAPMO/UPC
- California Energy Commission
- Energy Policy Act of 1992 (EPACT)
- NSF 14
- ADA
- CSA B125



Colors/Finishes

- CP: Polished Chrome
- RP: Rough Plate

Specified Model:

Model	Description	Colors/Finishes	
K-8908	Service sink faucet	<input type="checkbox"/> CP	<input type="checkbox"/> RP

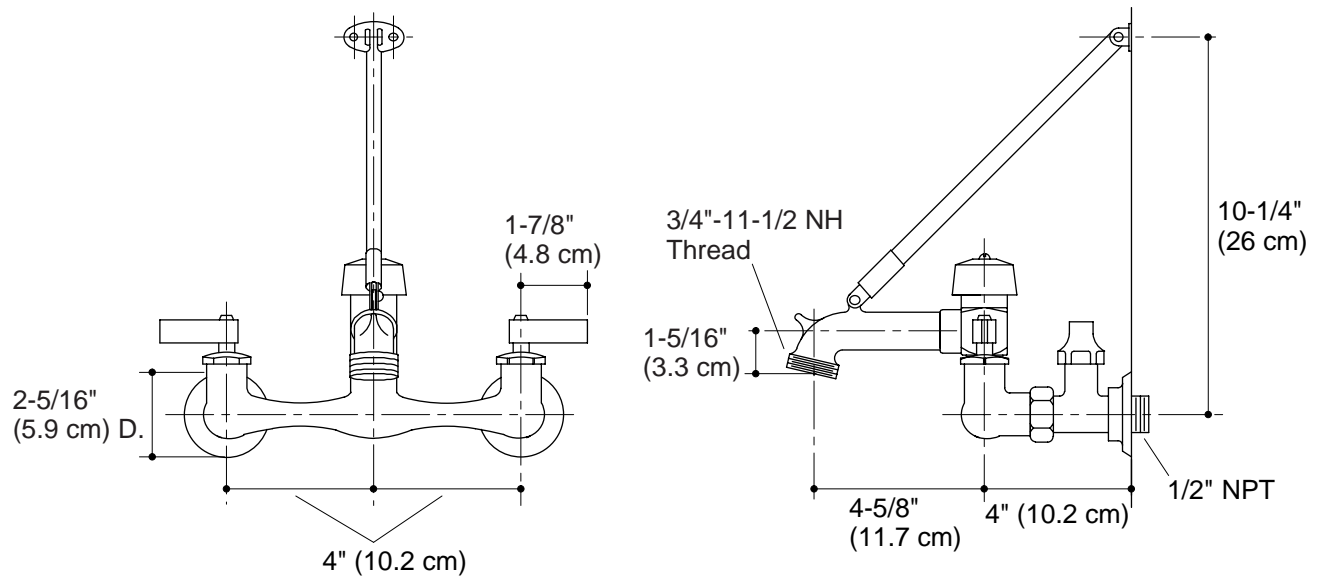
Product Specification

Two-handle service sink faucet shall be of brass construction. Faucet shall feature brass valve bodies. Faucet shall feature Valvet valves. Product shall include 8" (20.3 cm) centers, 4-5/8" (11.7 cm) threaded spout for hose connection, 8-5/8" (21.9 cm) wall-to-spout outlet, lever handles, loose key stops in shanks, vacuum breaker, pail hook, wall brace, and NPT connections. Faucet shall be Kohler Model K-8908-_____.

KINLOCK™

Installation Notes

Install this product according to the installation guide.



Product Diagram