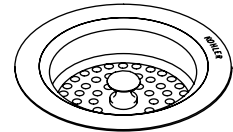
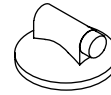


DUOSTRAINER® DRY

**SINK STRAINER
K-8816
ALSO K-8817**

Features

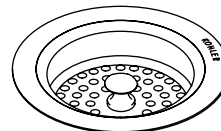
- Brass construction
- For sink installations with 3-1/2" (8.9 cm) or 4" (10.2 cm) outlet
- Removable basket strainers
- Remote control cable to each drain
- 1-1/2" connections
- Brass tailpieces
- Cast brass bodies



Codes/Standards Applicable

Specified model meets or exceeds the following:

- ASME A112.18.1
- IAPMO/UPC



Colors/Finishes

- CP: Polished Chrome
- PB: Vibrant® Polished Brass
- Other: Refer to Price Book for additional colors/finishes

Specified Model

Model	Description	Colors/Finishes		
K-8816	Sink strainer, dual	<input type="checkbox"/> CP	<input type="checkbox"/> PB	<input type="checkbox"/> Other_____
K-8817	Sink strainer, single	<input type="checkbox"/> CP	<input type="checkbox"/> PB	<input type="checkbox"/> Other_____

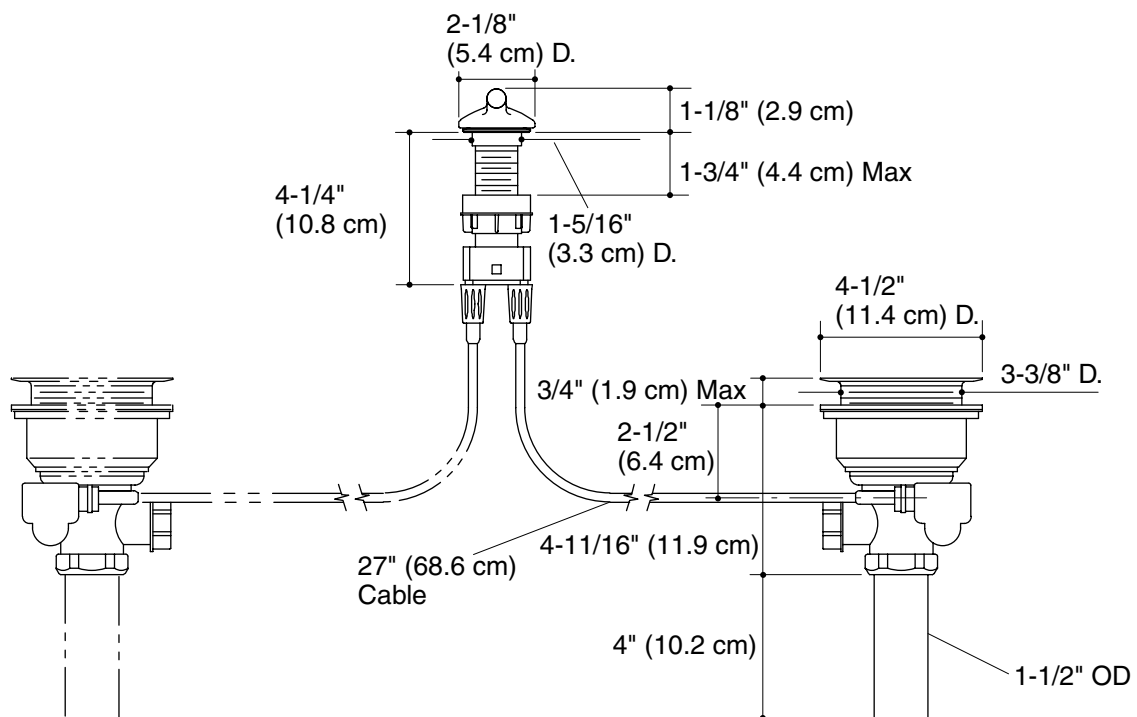
Product Specification

Sink strainer shall be of brass construction. Product shall feature removable basket strainers, cast brass bodies, a single remote control cable to each drain, brass tailpieces, and 1-1/2" connections. Product is intended for sink installations with 3-1/2" (8.9 cm) or 4" (10.2 cm) outlet. Sink strainer shall be dual or single. Strainer shall be Kohler Model K-_____-_____.

DUOSTRAINER® DRY

Installation Notes

Install this product according to the installation guide.



Product Diagram