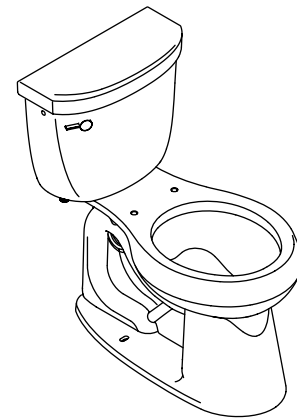


### COMFORT HEIGHT® TOILET K-3851



#### Features

- Vitreous china
- Comfort Height®
- Round-front
- Class Five® flushing system
- Less seat and supply
- 10" (254 mm) rough-in
- 1.28 gpf (4.8 lpf)
- 2-1/8" (54 mm) glazed trapway
- 11-1/2" (292 mm) x 9-1/4" (235 mm) water area
- 27-1/4" (692 mm) x 17-5/8" (448 mm) x 30-1/2" (775 mm)



#### Codes/Standards Applicable

Specified model meets or exceeds the following:

- ASME A112.19.2/CSA B45.1
- EPA WaterSense®

#### Colors/Finishes

- 0: White
- Other: Refer to Price Book for additional colors/finishes

#### Specified Model

Model	Description	Trip Lever	Colors/Finishes	
K-3851	Comfort Height toilet	left-hand	<input type="checkbox"/> 0	<input type="checkbox"/> Other _____
K-3851-RA	Comfort Height toilet	right-hand	<input type="checkbox"/> 0	<input type="checkbox"/> Other _____

#### Recommended Accessories

K-4658	Brevia™ seat with cover	<input type="checkbox"/> 0		<input type="checkbox"/> Other _____
K-7637	3/8" Angle supply with stop		<input type="checkbox"/> CP <input type="checkbox"/> PB	<input type="checkbox"/> Other _____

#### Optional Accessories

K-9466-L	Left-hand trip lever (non-CP)		<input type="checkbox"/> PB	<input type="checkbox"/> Other _____
K-9466-R	Right-hand trip lever (non-CP)		<input type="checkbox"/> PB	<input type="checkbox"/> Other _____
K-9470-L	Left-hand trip lever		<input type="checkbox"/> PB	<input type="checkbox"/> Other _____
K-9470-R	Right-hand trip lever		<input type="checkbox"/> PB	<input type="checkbox"/> Other _____

#### Product Specification

The round-front toilet shall be made of vitreous china. Toilet shall be 27-1/4" (692 mm) in length, 17-5/8" (448 mm) in width, and 30-1/2" (775 mm) in height. Toilet shall be Comfort Height. Toilet shall be 11-1/2" (292 mm) x 9-1/4" (235 mm) water area. Toilet shall be 10" (254 mm) rough-in and 2-1/8" (54 mm) glazed trapway. Toilet shall be 1.28 gpf (4.8 lpf) with Class Five flushing system. Toilet shall be less seat and supply. Toilet shall be Kohler Model K-3851-\_\_\_\_\_- \_\_\_\_\_.

# CIMARRON®

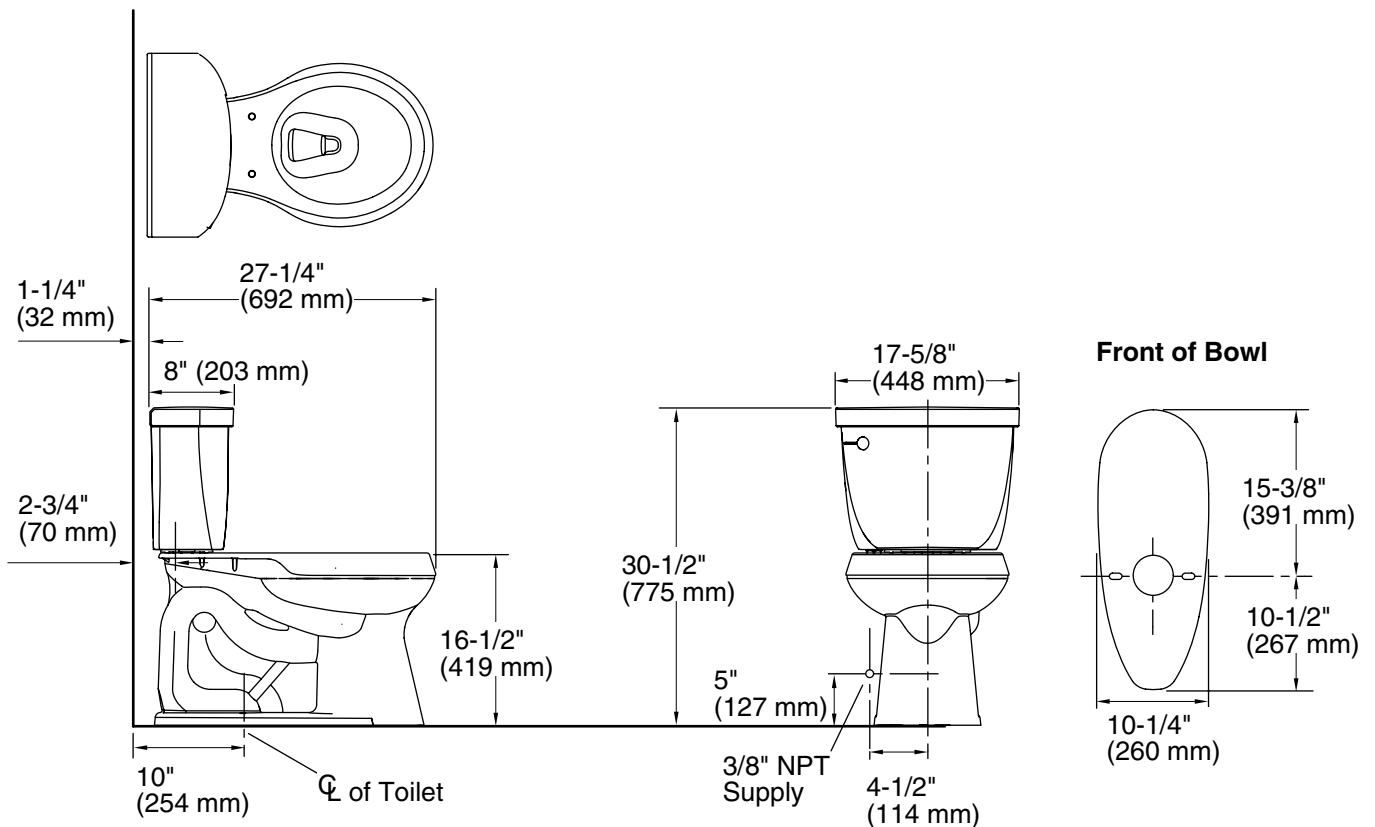
## Technical Information

Fixture:	
Configuration	two-piece, round-front
Water per flush	1.28 gal (4.8 L)
Passageway	2-1/8" (54 mm)
Water area	11-1/2" (292 mm) x 9-1/4" (235 mm)
Water depth from rim	5-1/4" (133 mm)
Seat post hole centers	5-1/2" (140 mm)

Included components:	
Bowl	K-4829
Tank	K-4166
Tank cover	1015867
Trip lever, left-hand <b>OR</b>	1059436
Trip lever, right-hand	1116014
Tank accessory pack	1016548
Bolt cap accessory pack	1013092

## Installation Notes

Install this product according to the installation guide.



## Product Diagram