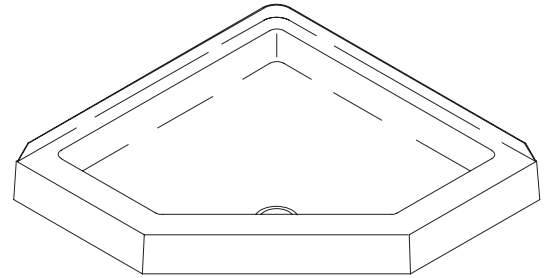


### NEO-ANGLE SHOWER RECEPTOR

# K-9866

#### FEATURES

- 38" (96.5cm) x 38" (96.5cm)
- Acrylic
- Reinforced with fiberglass
- Skid-resistant floor



#### CODES/STANDARDS APPLICABLE

Specified model meets or exceeds the following:

- ANSI Z124.2
- IAPMO/UPC
- Canadian Standards Association (CSA)
- State of Massachusetts

#### COLORS/FINISHES

- 0 White
- Other Refer to Fixtures Price Book for additional colors

#### Accessories:

- CP Polished Chrome
- PB Polished Brass
- SV Nevada Silver™
- BR New England Brass™
- Other Refer to Faucets Price Book for additional finishes
- NA None Applicable

#### SPECIFIED MODEL:

Model	Description	Colors/Finishes	
K-9866	Neo-angle shower receptor	<input type="checkbox"/> 0 White	<input type="checkbox"/> Other_____

Recommended Accessories				
K-9132	Drain	<input type="checkbox"/> CP	<input type="checkbox"/> PB	<input type="checkbox"/> Other_____
Optional Accessories				
K-1182	Vinyl tiling-in bead			<input type="checkbox"/> NA
K-9868	Profile neo-angle shower enclosure* <b>OR</b>	<input type="checkbox"/> SV	<input type="checkbox"/> BR	<input type="checkbox"/> Other_____
K-9716	Glassworks™ neo-angle shower enclosure*	<input type="checkbox"/> SV	<input type="checkbox"/> BR	

\* Refer to Fixtures Price Book for glass options.

#### PRODUCT SPECIFICATION:

The neo-angle shower receptor shall be 38" (96.5cm) in length and 38" (96.5cm) in width. Shower receptor shall be made of acrylic reinforced with fiberglass. Shower receptor shall have skid-resistant floor. Shower receptor shall be Kohler Model K-9866-\_\_\_\_\_.

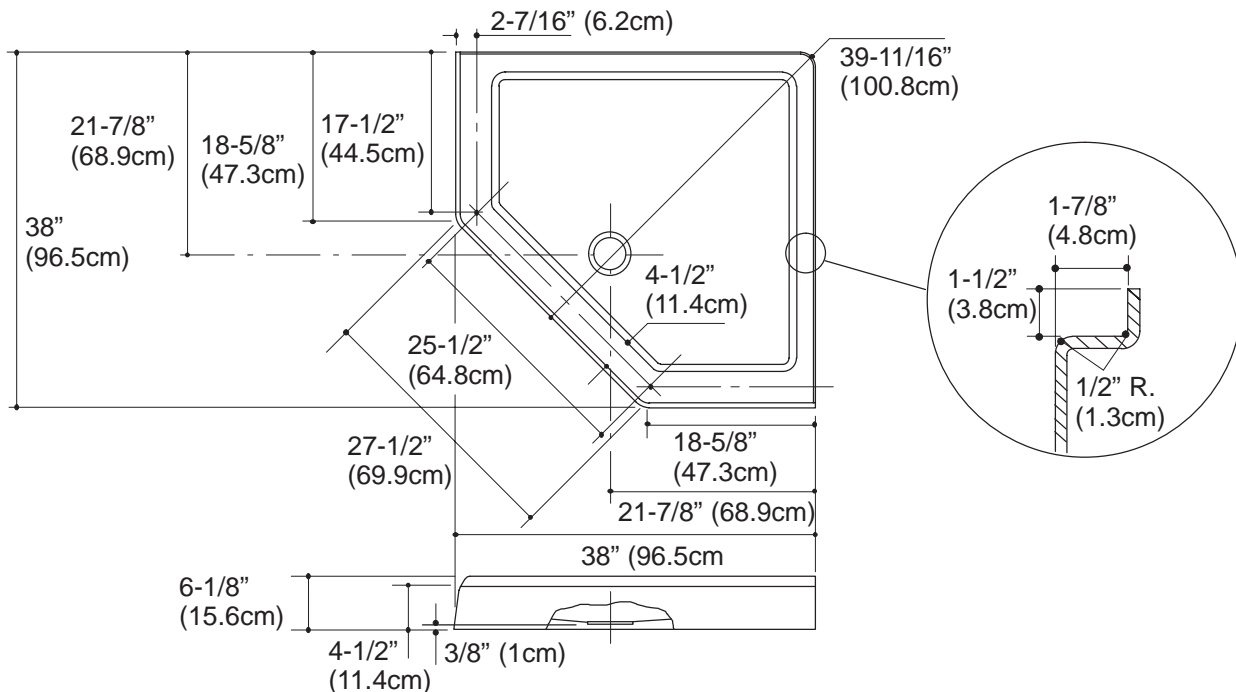
# PROFILE®

## PRODUCT INFORMATION

Fixture:	
Weight	63 lbs. (28.6 kg)
Configuration	1-piece
Drain Outlet	3-3/8" D. (8.6cm)

## INSTALLATION NOTES

**IMPORTANT:** If a Kohler Profile Shower Door is used with a Kohler receptor or a receptor you are building, refer to special framing instructions inside the installation instructions for receptor.



## PRODUCT DIAGRAM

364