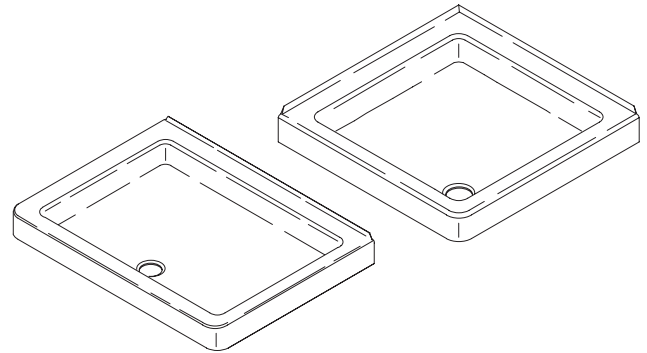


### SHOWER RECEPTOR

# K-9852, K-9858 K-9861

#### FEATURES

- 60" (152.4cm) x 36" (91.4cm) (K-9852)
- 36" (91.4cm) x 36" (91.4cm) (K-9858)
- 48" (121.9cm) x 36" (91.4cm) (K-9861)
- Acrylic
- Reinforced with fiberglass
- Skid-resistant floor



#### CODES/STANDARDS APPLICABLE

Specified model meets or exceeds the following:

- ANSI Z124.2
- IAPMO/UPC
- State of Massachusetts

#### COLORS/FINISHES

- 0 White
- Other Refer to Fixtures Price Book for additional colors

#### Accessories:

- CP Polished Chrome
- PB Polished Brass
- SV Nevada Silver™
- BR New England Brass™
- Other Refer to Faucets Price Book for additional finishes
- NA None Applicable

#### SPECIFIED MODEL:

Model	Description	Colors/Finishes	
K-9852	60" (152.4cm) x 36" (91.4cm) shower receptor	<input type="checkbox"/> 0 White	<input type="checkbox"/> Other_____
K-9858	36" (91.4cm) x 36" (91.4cm) shower receptor	<input type="checkbox"/> 0 White	<input type="checkbox"/> Other_____
K-9861	48" (121.9cm) x 36" (91.4cm) shower receptor	<input type="checkbox"/> 0 White	<input type="checkbox"/> Other_____

Recommended Accessories				
K-9132	Drain	<input type="checkbox"/> CP	<input type="checkbox"/> PB	<input type="checkbox"/> Other_____
Optional Accessories				
K-1182	Vinyl tiling-in bead			<input type="checkbox"/> NA
K-9856	Profile pivot shower door (for K-9858)	<input type="checkbox"/> SV	<input type="checkbox"/> BR	<input type="checkbox"/> Other_____
K-9859	Profile pivot shower door (for K-9861)	<input type="checkbox"/> SV	<input type="checkbox"/> BR	<input type="checkbox"/> Other_____
K-9850	Profile pivot shower door (for K-9852)	<input type="checkbox"/> SV	<input type="checkbox"/> BR	<input type="checkbox"/> Other_____

#### PRODUCT SPECIFICATION:

The shower receptor shall be 60"(152.4cm) in length and 36" (91.4cm) in width (K-9852), or 36" (91.4cm) in length and 36" (91.4cm) in width (K-9858), or 48"(121.9cm) in length and 36" (91.4cm) in width (K-9861). Shower receptor shall be made of acrylic reinforced with fiberglass. Shower receptor shall have skid-resistant floor. Shower receptor shall be Kohler Model K-\_\_\_\_\_ - \_\_\_\_\_.

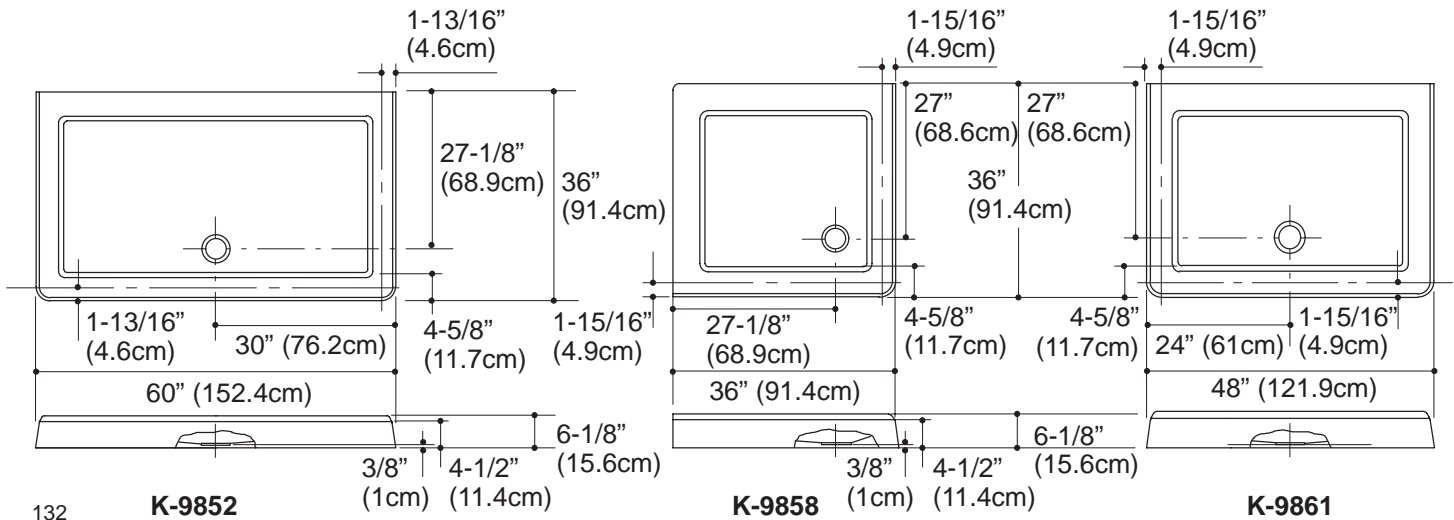
# PROFILE®

## PRODUCT INFORMATION

Fixture:	
Configuration	1-piece
Weight, K-9852	84 lbs. (38.1 kg)
Weight, K-9858	50 lbs. (22.7 kg)
Weight, K-9861	56 lbs. (25.4 kg)
Drain Outlet	3-3/8" D. (8.6cm)

## INSTALLATION NOTES

**IMPORTANT:** If a Kohler Profile Shower Door is used with a Kohler receptor, refer to special framing instructions inside the installation instructions for receptor.



## PRODUCT DIAGRAM