

ADA

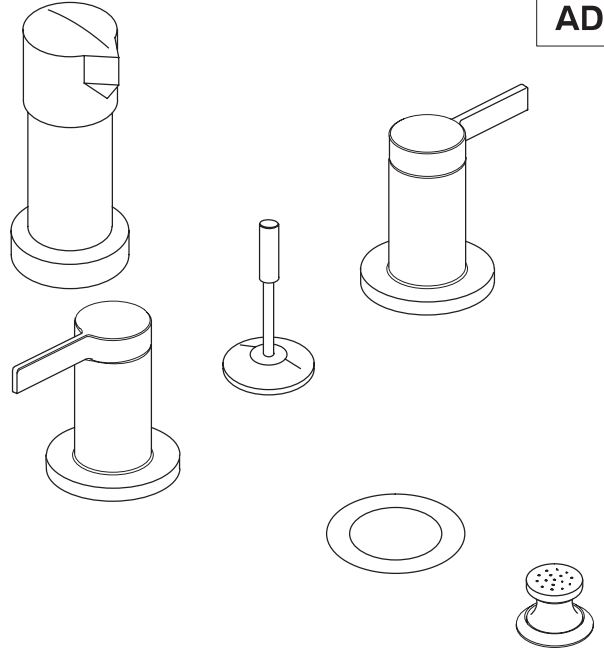
FEATURES

- Metal construction
- Flexible connections
- Reversible quarter-turn washerless ceramic disc valves
- Pop-up drain with lift rod and tailpiece
- Lever handles
- Vertical spray
- Fixture-mount transfer valve/vacuum breaker

CODES/STANDARDS APPLICABLE

Specified model meets or exceeds the following:

- ASME/ANSI A112.18.1M
- IAPMO/UPC
- CSA B125
- Listed In The State of Michigan



COLORS/FINISHES

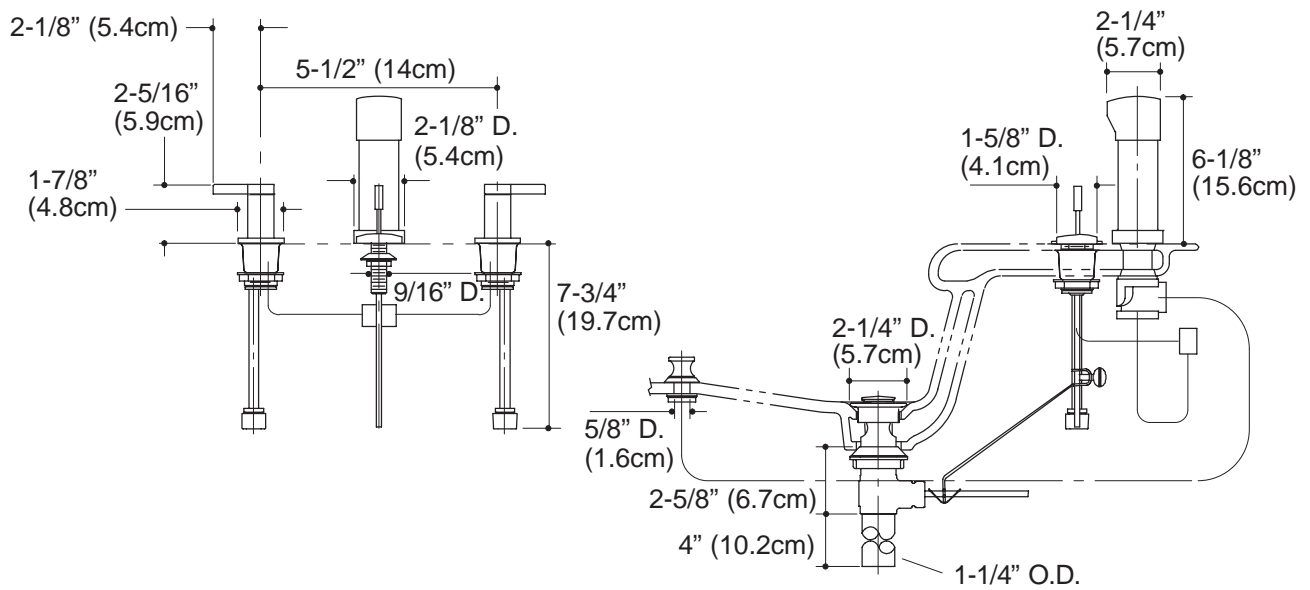
- CP Polished Chrome
- Other Refer to faucets price book for additional finishes

SPECIFIED MODEL:

Model	Description	<input type="checkbox"/> CP	<input type="checkbox"/> Other_____
K-960-4	Bidet Faucet With Lever Handles	<input type="checkbox"/> CP	<input type="checkbox"/> Other_____

PRODUCT SPECIFICATION:

Two-handle fixture-mount bidet faucet shall be of metal construction. Faucet shall feature reversible quarter-turn washerless ceramic disc valves, assuring positive handle stop positioning. Product shall include flexible connections, pop-up drain with lift rod and tailpiece, lever handles, vertical spray, and fixture-mount transfer valve/vacuum breaker. Faucet shall be Kohler Model K-960-4-_____.



PRODUCT DIAGRAM