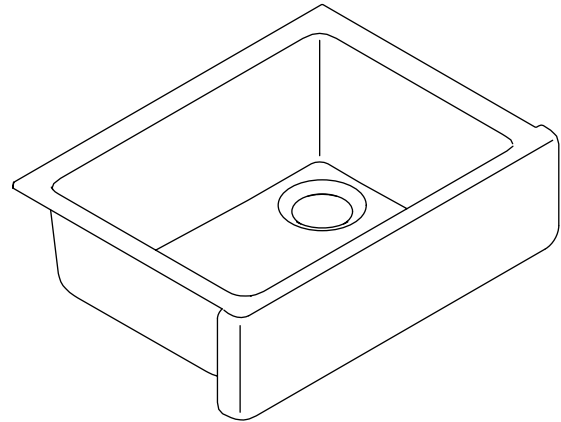


### Features

- KOHLER cast iron
- Acid-resistant enamel finish
- Single basin
- Undercounter
- With 8-13/16" (224 mm) Self-Trimming™, integral apron
- Fits a 30" (762 mm) apron sink base cabinet
- 29-11/16" (754 mm) x 21-9/16" (548 mm)

### UNDERCOUNTER SELF-TRIMMING™ APRON FRONT KITCHEN SINK K-6487



### Codes/Standards Applicable

Specified model meets or exceeds the following:

- ASME A112.19.1/CSA B45.2

### Colors/Finishes

- 0: White
- Other: Refer to Price Book for additional colors/finishes

### Accessories

- CP: Polished Chrome
- ST: Stainless Steel
- Other: Refer to Price Book for additional colors/finishes

### Specified Model

Model	Description	Colors/Finishes		
K-6487	Undercounter Self-Trimming apron front kitchen sink – tall apron	<input type="checkbox"/> 0	<input type="checkbox"/> Other_____	
<b>Recommended Accessories</b>				
K-9000	P-Trap	<input type="checkbox"/> CP		
<b>Optional Accessories</b>				
K-6638	Stainless steel bottom basin rack	<input type="checkbox"/> ST		
K-8801	Duostrainer® sink strainer		<input type="checkbox"/> CP	<input type="checkbox"/> Other_____

### Product Specification

The kitchen sink shall be made of cast iron with acid-resistant enamel finish. Sink shall be 29-11/16" (754 mm) in length and 21-9/16" (548 mm) in width. Sink shall be for undercounter installation. Sink shall have a single basin with 8-13/16" (224 mm) Self-Trimming integral apron. Sink shall fit a 30" (762 mm) apron sink base cabinet. Sink shall be Kohler Model K-6487-\_\_\_\_\_.

# WHITEHAVEN™

## Technical Information

Fixture*	
Basin area	24-3/4" (629 mm) x 18-1/16" (459 mm)
Water depth	9" (229 mm)
Drain hole	Ø 3-5/8" (92 mm)
* Approximate measurements for comparison only.	

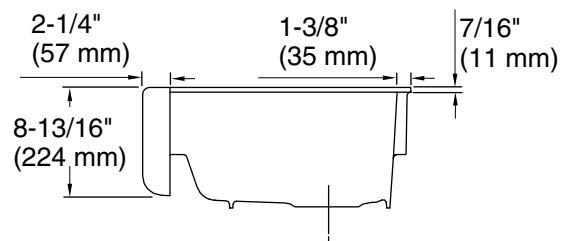
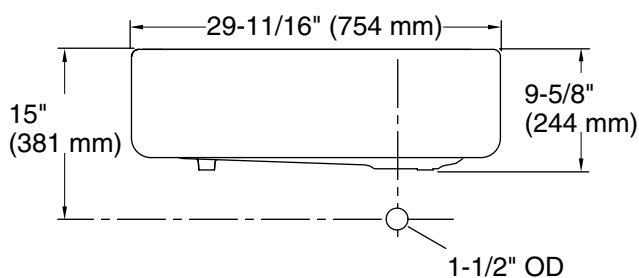
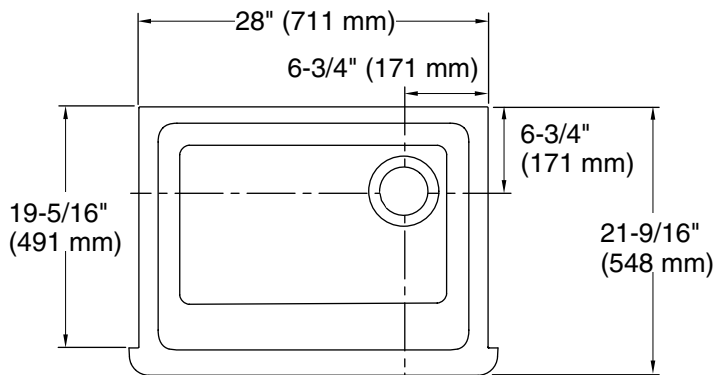
Included components:	
Countertop cut-out template	1156909-7
Cabinet face cut-out template	1157000

## Installation Notes

Install this product according to the installation guide.

**IMPORTANT!** The distance from the top edge of the cabinet to the top of the cabinet door must be at least 9" (229 mm) to install this sink.

**NOTICE:** Countertop manufacturer or cutter must use the cut-out template provided with the product, or a current one provided by Kohler Co. (call 1-800-4-KOHLER). Kohler Co is not responsible for cutout errors when the incorrect cut-out template is used.



## Product Diagram