

## OFFSET KITCHEN SINK K-5841

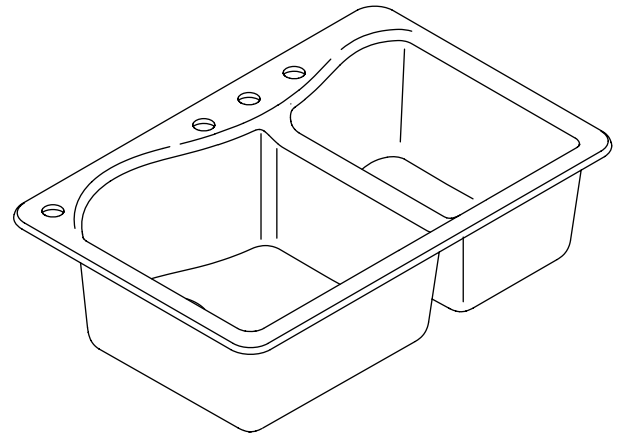
### Features

- KOHLER cast iron
- Acid-resistant enamel finish
- Large and medium size double basin
- Self-rimming installation available with two or four holes
- Undercounter installation available with four holes
- 33" (83.8 cm) x 22" (55.9 cm)

### Codes/Standards Applicable

Specified model meets or exceeds the following:

- ASME A112.19.1/CSA B45.2



### Colors/Finishes

- 0: White
- Other: Refer to Price Book for additional colors/finishes

### Accessories

- CP: Polished Chrome
- ST: Stainless Steel
- Other: Refer to Price Book for additional colors/finishes

### Specified Model

Model	Description	Colors/Finishes	
K-5841-2	Self-rimming kitchen sink with two holes	<input type="checkbox"/> 0	<input type="checkbox"/> Other_____
K-5841-4	Self-rimming kitchen sink with four holes (shown)	<input type="checkbox"/> 0	<input type="checkbox"/> Other_____
K-5841-4U	Undercounter kitchen sink with four holes	<input type="checkbox"/> 0	<input type="checkbox"/> Other_____

#### Recommended Accessories

K-9000	P-Trap	<input type="checkbox"/> CP
--------	--------	-----------------------------

#### Optional Accessories

K-6160	Bottom basin rack, left basin	<input type="checkbox"/> ST		
K-6162	Bottom basin rack, right basin	<input type="checkbox"/> ST		
K-8801	Duostrainer® sink strainer		<input type="checkbox"/> CP	<input type="checkbox"/> Other_____

### Product Specification

The cast iron sink shall be 33" (83.8 cm) in length, and 22" (55.9 cm) in width. Sink shall have an acid-resistant enamel finish. Sink shall have a large and medium size double basin. Sink shall be available with two or four holes for self-rimming installations or four holes for undercounter installations. Sink shall be Kohler Model K-5841-\_\_\_\_-\_\_\_\_.

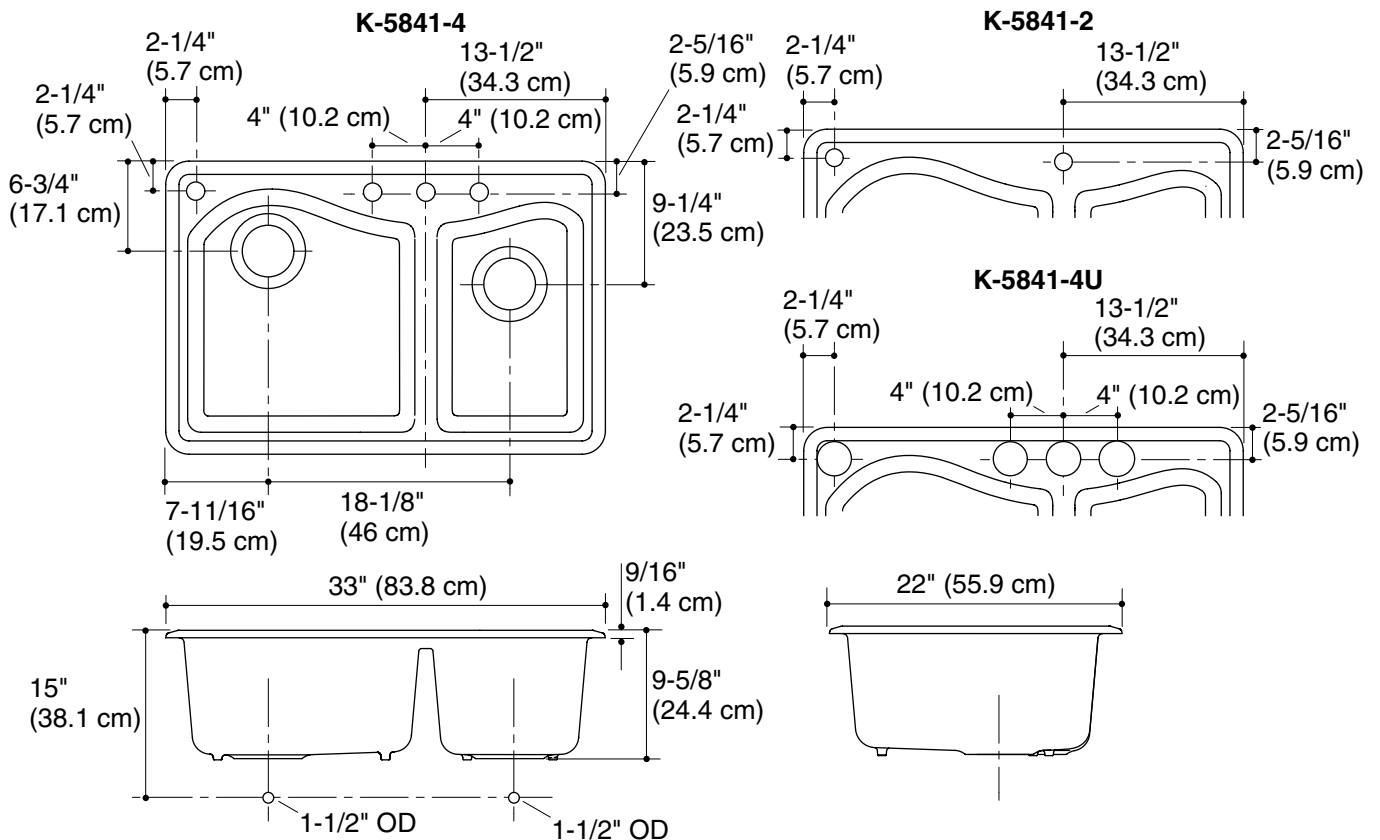
## Technical Information

Fixture*:	
Sink	
Basin area, large	17-1/8" (43.5 cm) x 18-5/16" (46.5 cm)
Basin area, medium	11-1/16" (28.1 cm) x 17-5/16" (44 cm)
Basin depth	9" (22.9 cm)
Drain hole	3-7/8" (9.8 cm) D.
Faucet hole	
Self-rimming models	1-3/8" (3.5 cm) D.
Undercounter model	2-3/8" (6 cm) D.
* Approximate measurements for comparison only.	
Included component:	
Cut-out template	1148647-7
Undermount sink kit 23" (58.4 cm)	1054375

## Installation Notes

Install this product according to the installation guide.

**NOTICE:** Countertop manufacturer or cutter **must** use the cut-out template provided with the product, or a current one provided by Kohler Co. (call 1-800-4-KOHLER). Kohler Co. is not responsible for cutout errors when the incorrect cut-out template is used.



## Product Diagram

OFFSET KITCHEN SINK

Page 2 of 2  
1148646-4-B

THE BOLD LOOK  
OF **KOHLER**