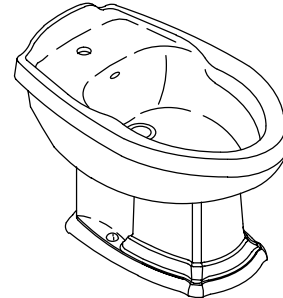


FEATURES

- Vitreous china
- Drilled for fixture-mounted centerset over-the-rim bidet faucet
- For above or below the floor rough-in
- Single hole



COLORS/FINISHES

- 0 White
- Other Refer to Fixtures Price Book for additional colors

Accessories:

- CP Polished Chrome
- PB Polished Brass
- Other Refer to Faucets Price Book for additional finishes

CODES/STANDARDS APPLICABLE

Specified model meets or exceeds the following:

- ASME/ANSI A112.19.2M
- IAPMO/UPC
- Canadian Standards Association (CSA)

SPECIFIED MODEL:

Model	Description	Colors/Finishes		
K-4898	Single-hole bidet	<input type="checkbox"/> 0 White	<input type="checkbox"/> Other_____	
Recommended Accessory				
K-9018	P-Trap	<input type="checkbox"/> CP	<input type="checkbox"/> PB	<input type="checkbox"/> Other_____

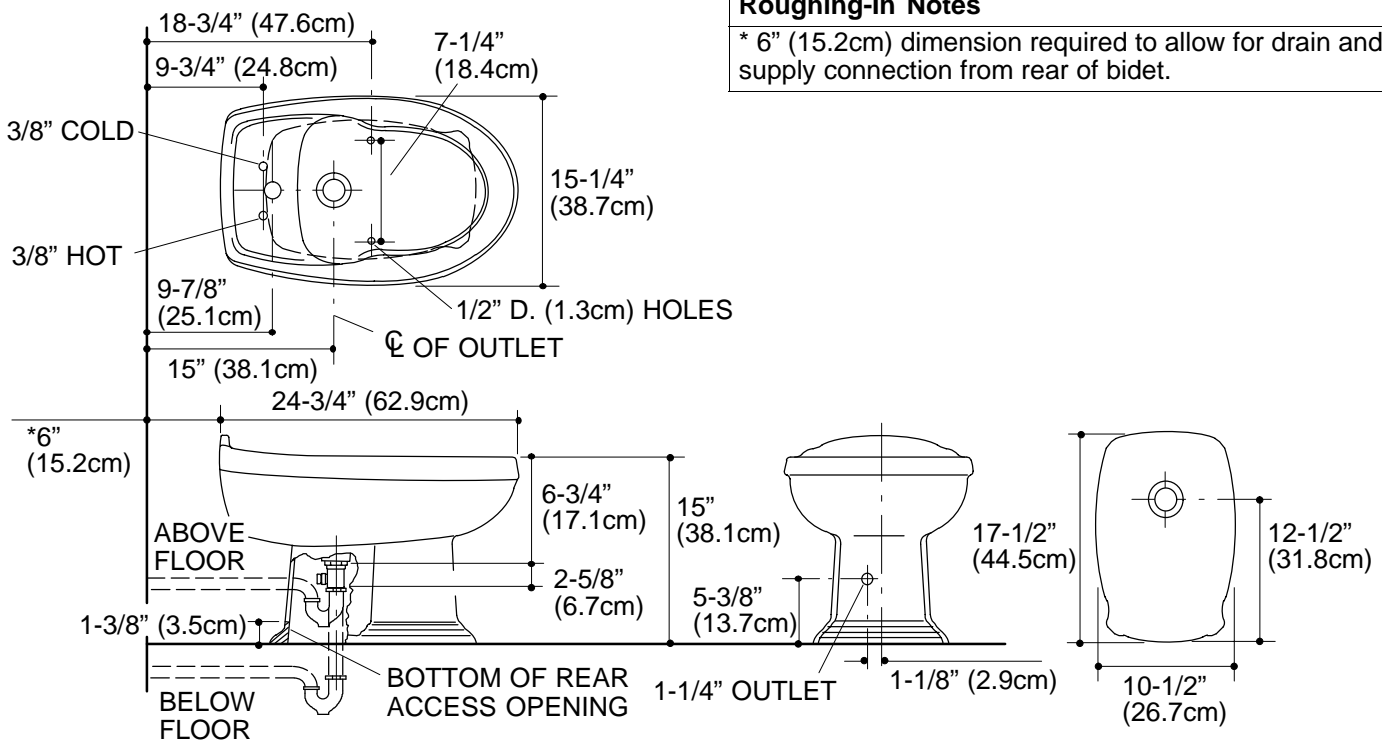
PRODUCT SPECIFICATION:

The bidet shall be made of vitreous china. Bidet shall be drilled for fixture-mounted centerset over-the-rim bidet faucet. Bidet shall be for above or below the floor rough-in. Bidet shall be Kohler Model K-4898-_____.

PORTRAIT™

PRODUCT INFORMATION

Fixture:	
Configuration	Faucet deck
Outlet	1-3/4" D. (4.4cm)
Faucet hole	1-3/8" D. (3.5cm)
Included Components:	
Floor screws and bolt caps	52049



Roughing-In Notes

* 6" (15.2cm) dimension required to allow for drain and supply connection from rear of bidet.

116

PRODUCT DIAGRAM