

**BAR SINK BASE FAUCET
K-8207-K**

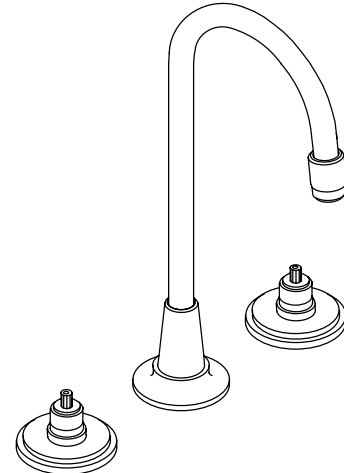
FEATURES

- Brass construction
- Flexible connections
- Brass valve bodies
- Quarter-turn washerless ceramic disc valves
- 5" High Country™ swing spout
- 2.2 gallons per minute
- Variety of handle style options

CODES/STANDARDS APPLICABLE

Specified model meets or exceeds the following:

- ASME/ANSI A112.18.1M
- Energy Policy Act of 1992
- NSF 61



COLORS/FINISHES

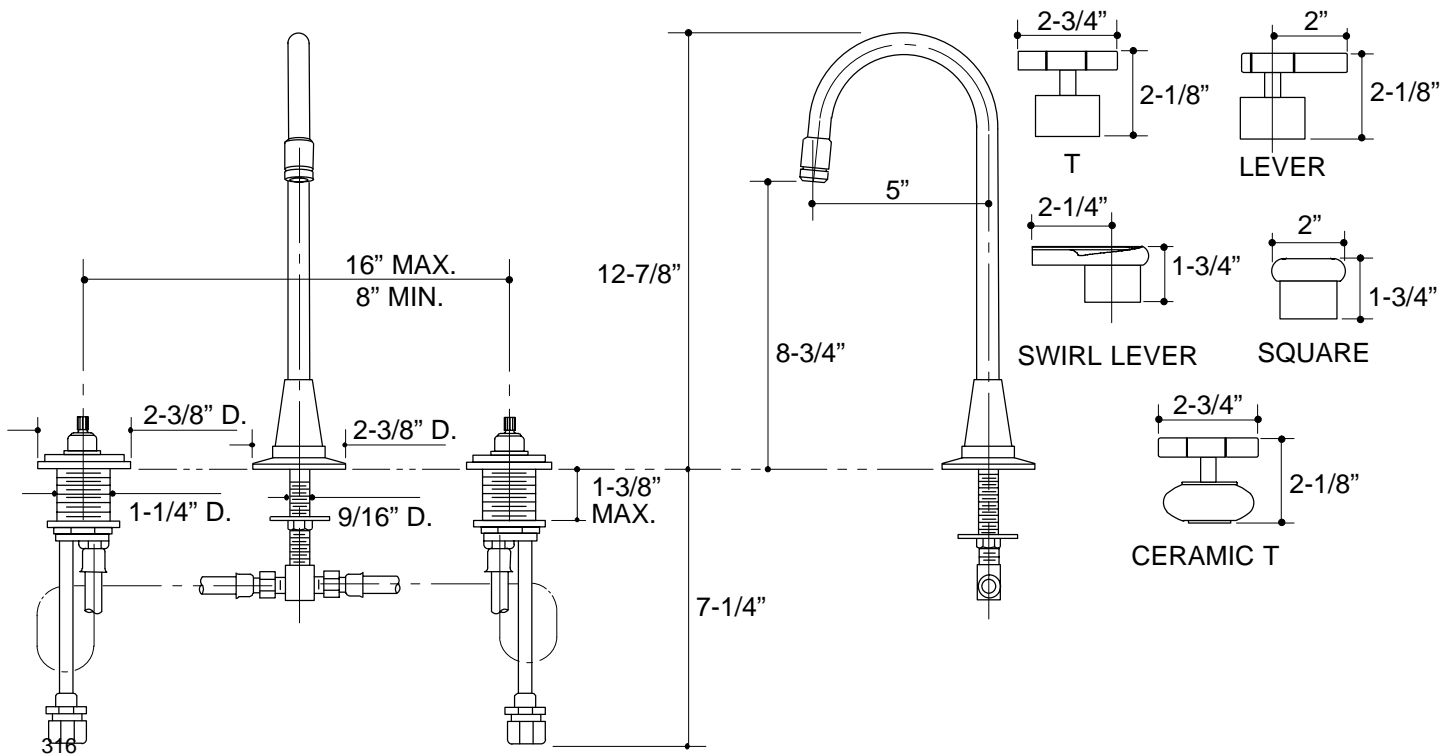
- CP Polished Chrome
- PB Polished Brass

SPECIFIED MODEL: For complete faucet, both base faucet and handle choice must be specified.

Model	Description								
K-8207-K	Taboret Bar Sink Base Faucet			<input type="checkbox"/> CP		<input type="checkbox"/> PB			
Required Accessory (Includes Two Handles)			ADA	ADA	ADA	ADA			
K-16070-2	Square Handles	<input type="checkbox"/> CP <input type="checkbox"/> PB							
K-16070-4	Lever Handles		<input type="checkbox"/> CP <input type="checkbox"/> PB						
K-16070-4A	Swirl Lever Handles			<input type="checkbox"/> CP <input type="checkbox"/> PB					
K-16070-4C	Vandal-Resistant Lever Handles and Aerator		<input type="checkbox"/> CP						
K-16070-6	T-Handles				<input type="checkbox"/> CP <input type="checkbox"/> PB				
K-16070-6C	Vandal-Resistant T-Handles and Aerator				<input type="checkbox"/> CP				

PRODUCT SPECIFICATION:

Two-handle bar sink base faucet shall be of brass construction. Faucet shall feature brass valve bodies. Faucet shall feature quarter-turn washerless ceramic disc valves, assuring positive handle stop positioning. Product shall be less drain and lift rod. Product shall include flexible connections, and 5" High Country swing spout. Faucet shall be Kohler Model K-8207-K-_____ and handles shall be Kohler Model K-_____ - _____ - _____.



PRODUCT DIAGRAM