

Features

- *Stainless steel construction*
- *Two quarter-turn washerless ceramic disc valves*
- *ADA compliant lever handles*
- *For 8" (20.3 cm) centers*
- *360° spout rotation*
- *13-7/8" (35.2 cm) gooseneck swing spout reach*
- *Lower flow aerator options available (refer to the Kohler Price Book)*
- *2.2 gallons (8.3 L) per minute maximum flow rate*

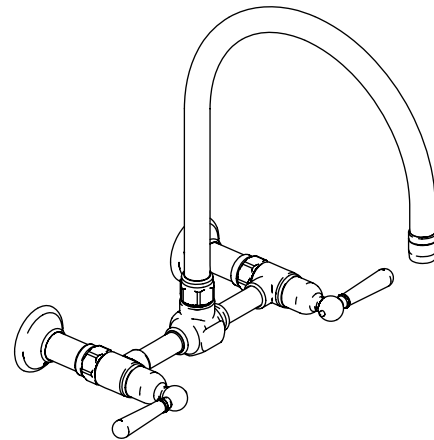
**WALL-MOUNT BRIDGE KITCHEN
SINK FAUCET
K-7338**

ADA

Codes/Standards Applicable

Specified model meets or exceeds the following at date of manufacture:

- *ADA*
- *ASME A112.18.1/CSA B125.1*
- *ICC/ANSI A117.1*
- *Energy Policy Act of 1992*
- *NSF 61*
- *All applicable US Federal and State material regulations*



Colors/Finishes

- *BS: Brushed Stainless Steel*
- *S: Polished Stainless Steel*

Specified Model

Model	Description	Colors/Finishes	
K-7338-4	Wall-mount bridge kitchen sink faucet	<input type="checkbox"/> BS	<input type="checkbox"/> S
Recommended Accessories			
K-7344-4	HiRise independent sidespray with lever handle	<input type="checkbox"/> BS	<input type="checkbox"/> S
K-7346	HiRise soap/lotion dispenser	<input type="checkbox"/> BS	<input type="checkbox"/> S

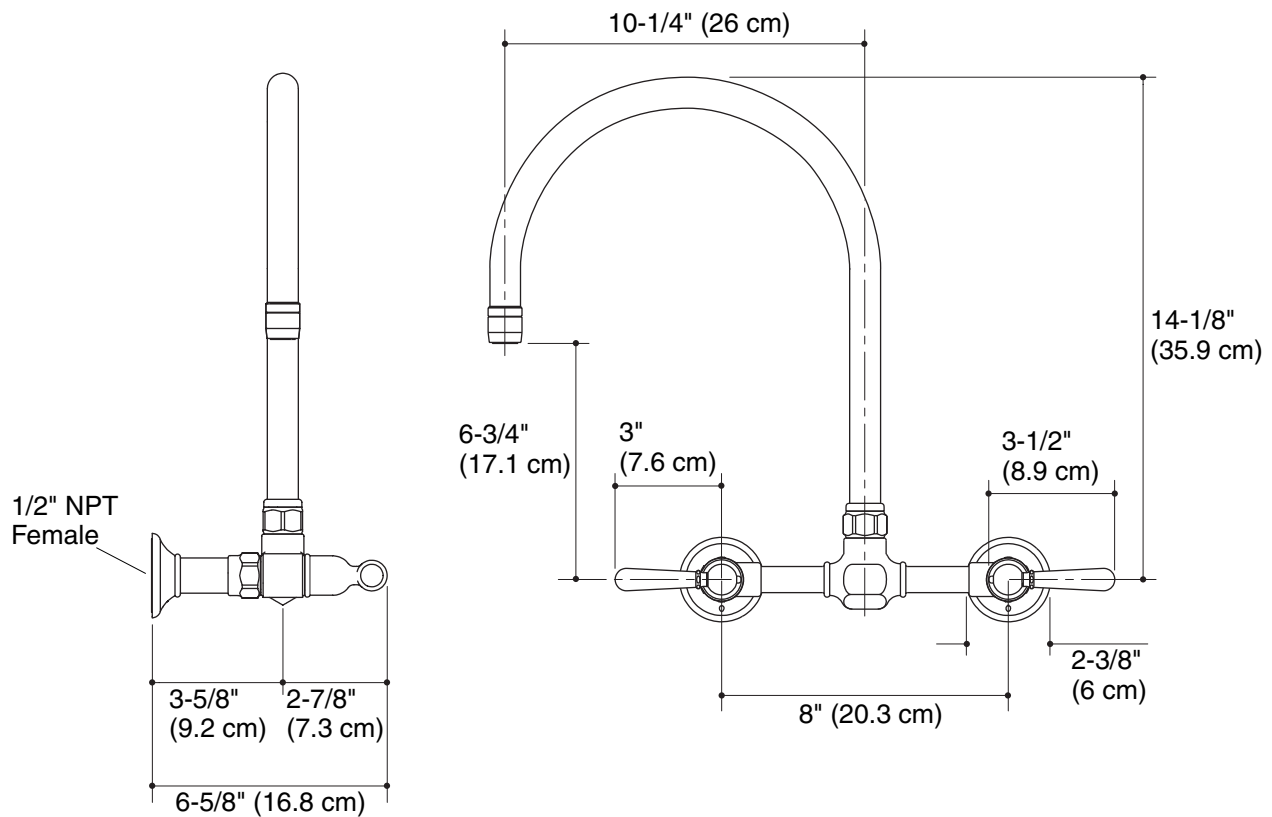
PRODUCT SPECIFICATION

The two-handle wall-mount bridge kitchen sink faucet shall be of stainless steel construction. Product shall have a maximum flow rate of 2.2 gallons (8.3 L) per minute with lower flow aerator options available (refer to the Kohler Price Book). Product shall feature two quarter-turn washerless ceramic disc valves, ADA compliant lever handles, 360° spout rotation, and a 13-7/8" (35.2 cm) gooseneck swing spout reach. Product shall be for 8" (20.3 cm) centers. Wall-mount bridge kitchen sink faucet shall be Kohler Model K-7338-4-____.

HIRISE™

Installation Notes

Install this product according to the installation guide.



Product Diagram