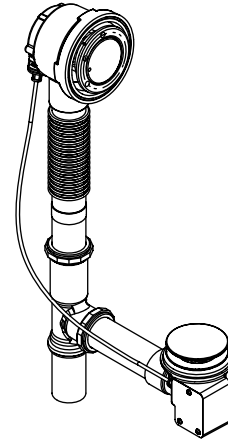


Features

- Metal construction
- 17-gauge brass pipe
- No internal linkages to minimize the potential for clogging
- Flexible overflow joint conforms to various bath angles
- Above- or through-the-floor installation offers installation flexibility
- Includes a tee, drain ell, and overflow ell with attached 1-1/2" OD pipe
- Vibrant PVD finishes available
- 40" (101.6 cm) length external cable
- Rotary handle controls pop-up drain stopper
- Handle can be pushed to close the overflow

**CLOSING OVERFLOW CABLE BATH DRAIN
K-7116**



Codes/Standards Applicable

Specified model meets or exceeds the following at date of manufacture:

- ASME A112.18.2/CSA B125.2

Colors/Finishes

- CP: Polished Chrome
- Other: Refer to Price Book for additional colors/finishes

Specified Model

Model	Description	Colors/Finishes	
K-7116	Closing overflow cable bath drain	<input type="checkbox"/> CP	<input type="checkbox"/> Other _____

Product Specification

The closing overflow cable bath drain shall be made of metal construction with 17-gauge brass pipe. Product shall include a 40" (101.6 cm) length external cable. Product shall feature a rotary handle that controls pop-up drain stopper. Product shall feature no internal linkages to minimize the potential for clogging. Product shall have a flexible overflow joint that conforms to various bath angles. Product shall be available with vibrant PVD finishes. Product shall feature a handle that can be pushed to close the overflow. Product shall include a tee, drain ell, and overflow ell with attached 1-1/2" OD pipe. Product shall be for above- or through-the-floor installation that offers installation flexibility. Closing overflow cable bath drain shall be Kohler Model K-7116-_____.

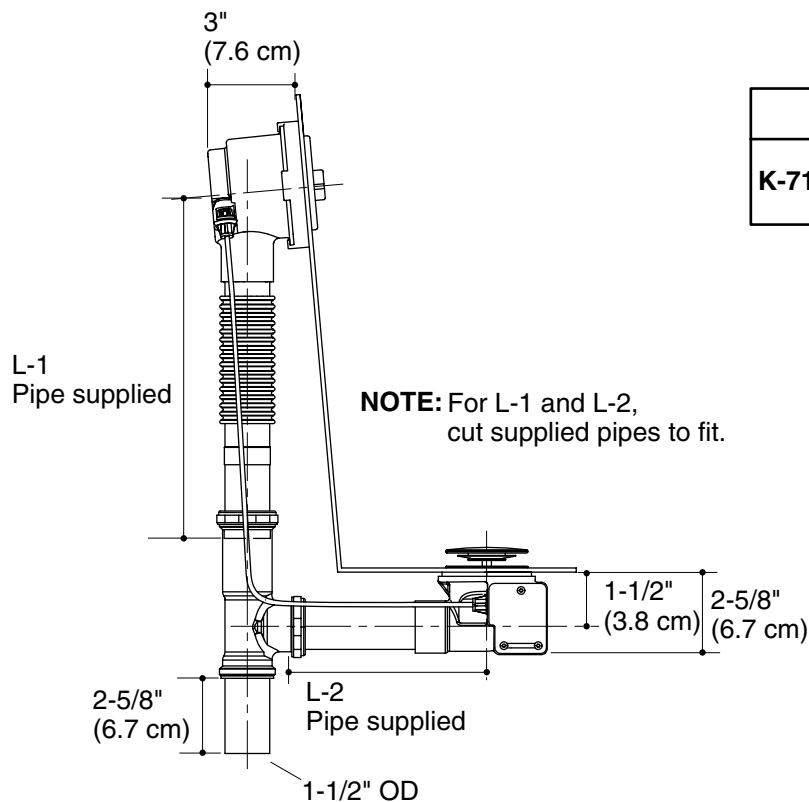
CLEARFLO

Installation Notes

Install this product according to the installation guide.

NOTE: Use caution when this drain is installed on whirlpools or air baths. The jet action may cause the water to splash when the jets are activated.

The elbow brass pipe subassemblies noted as L-1 and L-2 must be cut to the correct length.



	L-1	L-2
K-7116	22" (55.9 cm)	15-1/2" (39.4 cm)

Product Diagram

CLEARFLO CLOSING OVERFLOW CABLE BATH DRAIN

Page 2 of 2
1113750-4-B

THE BOLD LOOK
OF **KOHLER**