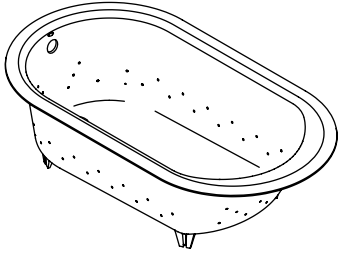


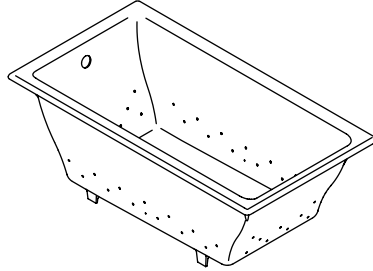
Installation Guide

Bath with Airjets

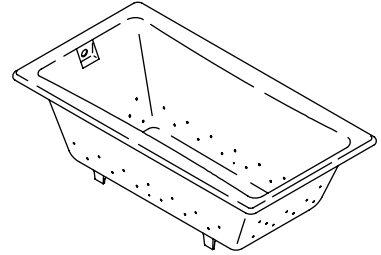
K-712



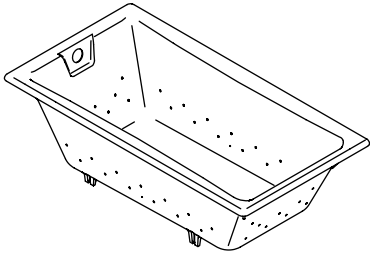
K-809



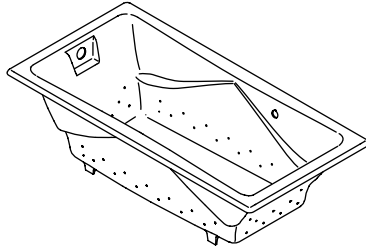
K-852



K-856



K-865



M product numbers are for Mexico (i.e. K-12345**M**)
Los números de productos seguidos de **M** corresponden a México
(Ej. K-12345**M**)
Français, page "Français-1"
Español, página "Español-1"

THE BOLD LOOK
OF **KOHLER**

Important Information



WARNING: When using electrical products, basic precautions should always be followed, including the following:



DANGER: Risk of electric shock. To reduce the risk of electrical shock, connect only to circuits protected by a Ground-Fault Circuit-Interrupter (GFCI) or Residual Current Device (RCD).



WARNING: Risk of electric shock. A qualified electrician should make all electrical connections.



WARNING: Risk of electric shock. Disconnect power before servicing.

NOTICE: Follow all local plumbing and electrical codes.

Grounding is required. The unit should be installed by a qualified service representative, and grounded.

Building materials and wiring should be routed away from the blower body and other heat-producing components of the unit.

Install to permit access for servicing.

A pressure wire connector marked "Earth/Ground" is provided within the wiring compartment. To reduce the risk of electric shock, connect this connector to the grounding terminal of your electric service or supply panel with copper wire equivalent in size to the circuit conductor supplying this equipment.

Pressure wire connectors are provided on the exterior of the junction box or control within this unit to permit connection of a bonding conductor between this unit and all other exposed metal in the vicinity, as needed to comply with local requirements.

Electrical Requirements

NOTE: If the supply cord is damaged, it must be replaced by the manufacturer, its service agent, or similarly qualified persons in order to avoid a hazard.

The installation must have a Class A Ground-Fault Circuit-Interrupter (GFCI) or Residual Current Device (RCD). The GFCI or RCD protects against line-to-ground shock hazard. **Use a 220-240 V, 15 A, 50/60 Hz dedicated service for the bath with airjets.**

An equipment grounding terminal is provided in the field wiring compartment. To reduce the risk of electric shock, this terminal must be connected to the grounding means provided in the electric supply panel with a conductor equivalent in size to the circuit conductors supplying this equipment.

Install this unit in accordance with the Canadian Electrical Code, Part I.

Product Notices



WARNING: Risk of personal or property damage. Unauthorized modification may cause unsafe operation or effect performance of the bath with airjets. Do not relocate the blower motor, or make other modifications to the bath system in the absence of kit or other published instructions, as this could adversely affect the performance and safe operation of the product. Kohler Co. shall not be liable under its warranty or otherwise for personal injury or damage caused by any such unauthorized modification. Refer to the "Before You Begin" section for blower motor relocation requirements, recommendations, and section coverage information.

NOTICE: Keep the area around the blower motor clean and free of debris. Ensure that the area around the blower motor is free of sawdust, insulation, dirt, or other small loose debris. Such material could plug the blower motor air ducts and reduce the air flow through the blower.

Factory Assembled Features

Factory assembled components include a blower motor, air harness, control, check valve, butterfly valves, chromatherapy lights (if provided), electrical harnesses, and an illuminated user keypad. Other than power wiring and plumbing, no assembly is required.

Important Information (cont.)

Connections and Service Access

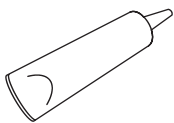
NOTICE: Provide unrestricted service access to the blower motor. You must provide access for servicing the blower motor and controls. The access must be located immediately next to the blower motor. Study the roughing-in information packed with the bath with airjets.

Before installation, ensure that there is proper access to the blower motor and final connections. If the blower motor is installed in an enclosed area, an access panel is required at the blower motor. This panel should be at least 34" (86.4 cm) wide and 15" (38.1 cm) high.

Table of Contents

Important Information	2
Tools and Materials	3
Before You Begin	3
Prepare the Site - Wood Construction	6
Prepare the Site - Concrete Construction	7
Prepare the Bath	7
Install the Bath With Airjets	8
Cut the Blower Banding Straps	9
Install the Plumbing	9
Make Electrical Connections - Standard	10
Remove Blower Motor and Check Valve - Remote	11
Mount Blower Motor and Check Valve - Remote	12
Terminate Blower Power Cable - Remote	13
Install Blower Cord at Control - Remote	15
Make Supply Power Connections - Remote	16
Test Run the Bath with Airjets	16
Complete the Finished Wall/Deck	19
Complete the Concrete Installation	19
Clean-Up After Installation	19
Using the Keypad	20

Tools and Materials



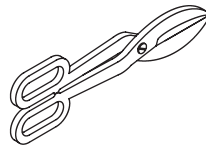
Silicone Sealant



Measuring Tape



Pencil



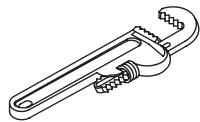
Tin Snips



Level



Safety Glasses



Pipe Wrench

Plus:

- Conventional woodworking or concrete installation tools and materials
- Drop cloth
- Metal shims
- 2x4s

Before You Begin



WARNING: Risk of personal injury. This cast iron bath is extremely heavy. Obtain sufficient help to carefully lift and move it.

Before You Begin (cont.)



CAUTION: Risk of product damage. Do not lift the bath by the harness or blower motor, or use the harness or blower motor for structural support of the bath.

NOTE: This bath allows the blower motor and check valve to remain on the bath support board (standard installation) that it is shipped or to be relocated in another location (remote installation). Refer to the sections, noted as "Standard" or "Remote", throughout this installation guide for your applicable installation.

For Standard and Remote Installations

- Please read the installation, operating, and safety instructions carefully to familiarize yourself with the required tools, material, and installation sequences. Follow the sections that pertain to your particular installation. This will help you avoid costly mistakes.
- The variety of installations possible with this bath may require framing procedures other than those described in this manual.
- Confirm adequate mounting and connection space for the faucet specified for your installation.
- We recommend this product for drop-in or alcove installation.
- Inspect the bath for damage before you begin installation.
- You must install this bath to an adequately supported, level subfloor.

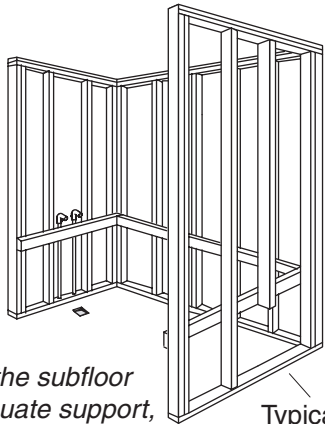
For Remote Installations

- When mounting the blower motor and check valve in a remote location, choose a space as close to the bath as possible to maximize bath performance. Pay attention to the following requirements and recommendations:
 - The blower motor must be mounted horizontally at least 1-1/2" (3.8 cm) above the floor. Do not mount the blower motor with the blower motor discharge pointing up.
 - 1-1/2" PVC or equivalent rigid piping should be used.
 - The piping installation must meet the requirements of local plumbing or building codes. Ensure that the installation does not reduce the fire rating of any walls. Piping must be supported at intervals along the length in accordance with local codes.
 - Ensure that the blower motor location is clean and free of dust or debris.
 - If appropriate, install an additional access panel for blower motor maintenance.
 - The 18 AWG minimum power cable to the blower motor must meet the requirements of the applicable electrical or building codes. Ensure that the installation does not reduce the fire rating of any walls.
 - The power cord must be supported at intervals along the length in accordance with local codes. Power cords may not rest on surfaces or floors that are subject to flooding.
 - All material needed for the relocation must be supplied by the installer.
- Additional tools and materials:
 - Electrician pliers.
 - Assorted screwdrivers.
 - Adjustable wrench.
 - Drill and bits to install the blower mounting fasteners.
 - 18 AWG non-metallic sheathed cable, two conductors with ground, with support clips, as required.
 - One 4" (10.2 cm) x 2" (5.1 cm) electrical junction box with cover, gasket, and mounting screws.
 - Three strain reliefs. One must fit the blower motor cover with standard NPT (National Pipe Thread) threads. The other two must fit the holes in the new junction box.
 - Six wire connectors (wire nuts or equivalent).
 - 1-1/2" PVC or other rigid pipe with: fittings, unions, PVC cement (or equivalent fastening method), and support clips, as required.
 - Four fasteners (such as flathead wood screws or concrete anchors) to mount the blower motor.

Before You Begin (cont.)

- Solid copper 8 gauge bonding wire, 36" (91.4 cm).
- Kohler Co. reserves the right to make revisions in the design of products without notice, as specified in the Price Book.

Position the rough plumbing.



Construct 2x4 stud framing according to the roughing-in information.

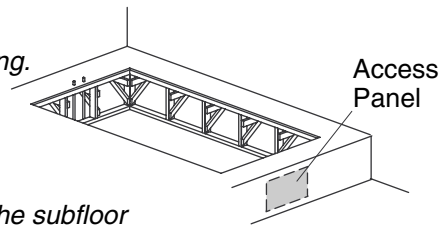
Verify that the subfloor offers adequate support, and is flat and level.

Typical access panel

Construct 2x4 or 2x6 stud framing according to the roughing-in information.

Position the rough plumbing.

Verify that the subfloor offers adequate support, and is flat and level.



Frame the floor according to the roughing-in information.

1. Prepare the Site - Wood Construction

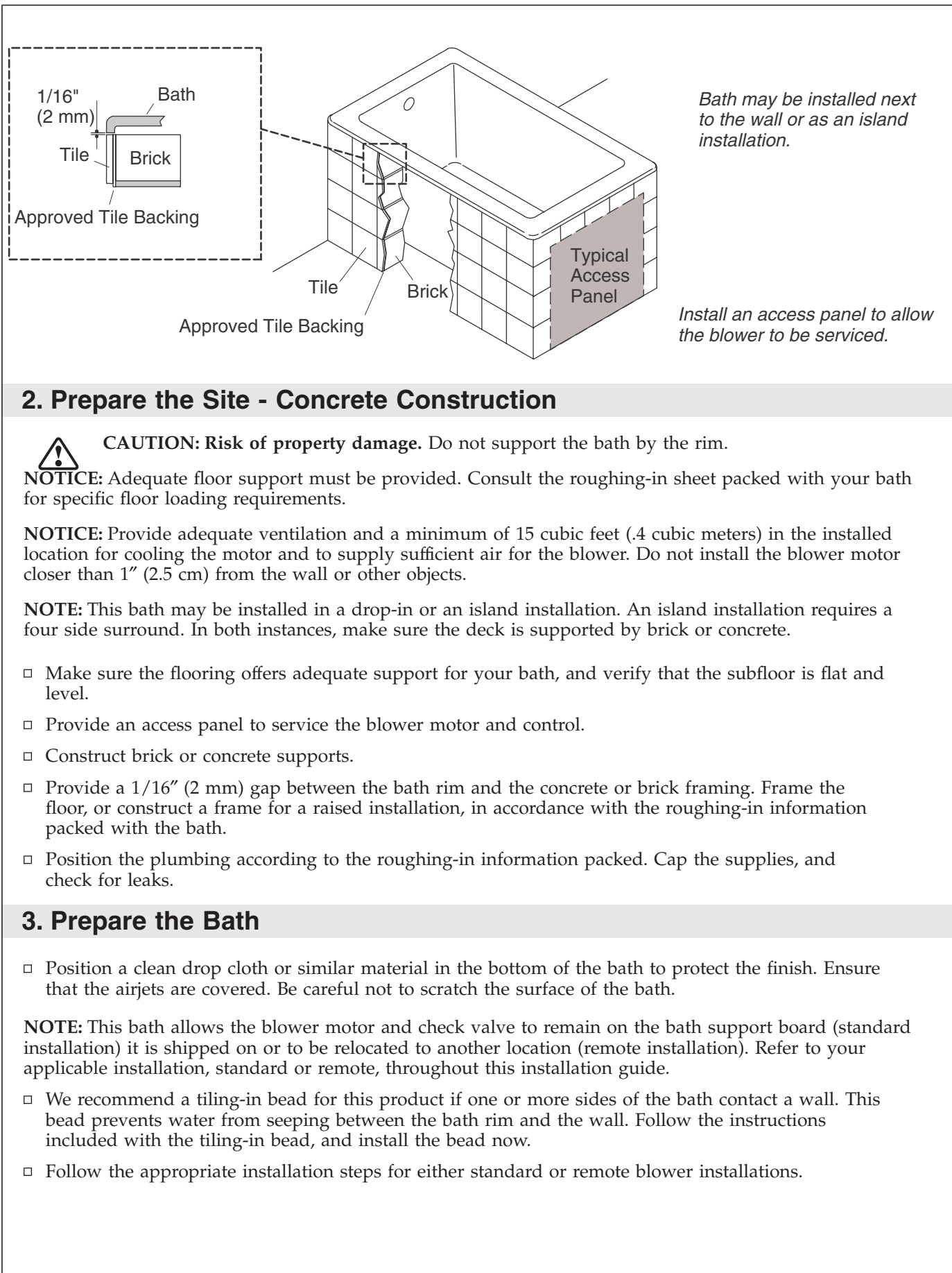


CAUTION: Risk of property damage. Do not support the bath by the rim.

NOTICE: Adequate floor support must be provided. Consult the roughing-in sheet packed with your bath for specific floor loading requirements.

NOTICE: Provide adequate ventilation and a minimum of 15 cubic feet (.4 cubic meters) in the installed location for cooling the motor and to supply sufficient air for the blower. Do not install the blower motor closer than 1" (2.5 cm) from the wall or other objects.

- Make sure the flooring offers adequate support for your bath, and verify that the subfloor is flat and level.
- The bath may be used in a drop-in or alcove installation. Construct 2x4 stud framing designed for your particular installation. Frame the floor, or construct a frame for a raised installation in accordance with the roughing-in information packed with the bath.
- Provide an access panel to service the blower motor and control.
- Position the plumbing according to the roughing-in information. Cap the supplies, and check for leaks.



2. Prepare the Site - Concrete Construction



CAUTION: Risk of property damage. Do not support the bath by the rim.

NOTICE: Adequate floor support must be provided. Consult the roughing-in sheet packed with your bath for specific floor loading requirements.

NOTICE: Provide adequate ventilation and a minimum of 15 cubic feet (.4 cubic meters) in the installed location for cooling the motor and to supply sufficient air for the blower. Do not install the blower motor closer than 1" (2.5 cm) from the wall or other objects.

NOTE: This bath may be installed in a drop-in or an island installation. An island installation requires a four side surround. In both instances, make sure the deck is supported by brick or concrete.

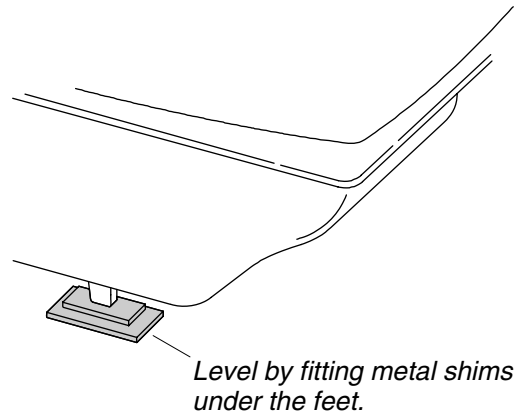
- Make sure the flooring offers adequate support for your bath, and verify that the subfloor is flat and level.
- Provide an access panel to service the blower motor and control.
- Construct brick or concrete supports.
- Provide a 1/16" (2 mm) gap between the bath rim and the concrete or brick framing. Frame the floor, or construct a frame for a raised installation, in accordance with the roughing-in information packed with the bath.
- Position the plumbing according to the roughing-in information packed. Cap the supplies, and check for leaks.

3. Prepare the Bath

- Position a clean drop cloth or similar material in the bottom of the bath to protect the finish. Ensure that the airjets are covered. Be careful not to scratch the surface of the bath.

NOTE: This bath allows the blower motor and check valve to remain on the bath support board (standard installation) it is shipped on or to be relocated to another location (remote installation). Refer to your applicable installation, standard or remote, throughout this installation guide.

- We recommend a tiling-in bead for this product if one or more sides of the bath contact a wall. This bead prevents water from seeping between the bath rim and the wall. Follow the instructions included with the tiling-in bead, and install the bead now.
- Follow the appropriate installation steps for either standard or remote blower installations.



4. Install the Bath With Airjets



WARNING: Risk of personal injury. This cast iron bath is extremely heavy. Obtain sufficient help to carefully lift and move it.

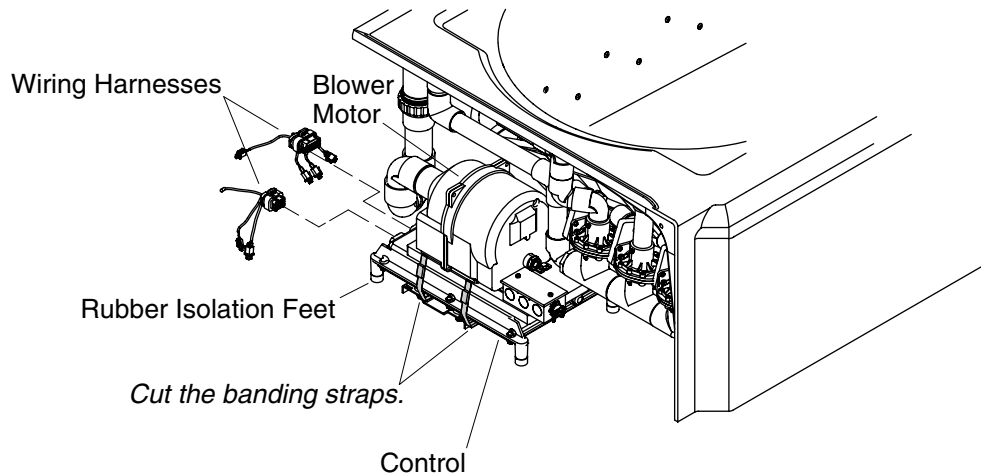


CAUTION: Risk of product damage. Do not lift the bath by the harness or blower, or use the harness or blower for structural support of the bath.



CAUTION: Risk of product damage. Do not support the bath by the rim.

- Install the drain to the bath according to the drain manufacturer's instructions. Do not connect the trap at this time.
- Carefully move the bath into position. Insert the drain tailpiece into the trap.
- Level the bath by fitting metal shims under the bath feet as needed. Check for level along the top of the bath, and across the drain side. If the feet are not accessible from the back or side, move the bath in and out of position to shim it properly. Make sure the bath is resting on all four feet.



5. Cut the Blower Banding Straps

IMPORTANT! This step is necessary to make your Kohler bath operate more quietly.

- Use tin snips to cut the two blower banding straps from the blower.
- To minimize noise and vibration, be sure the blower is not in direct contact with the shipping bracket after the banding straps are cut. The blower control contains rubber isolation feet to reduce blower noise.

6. Install the Plumbing



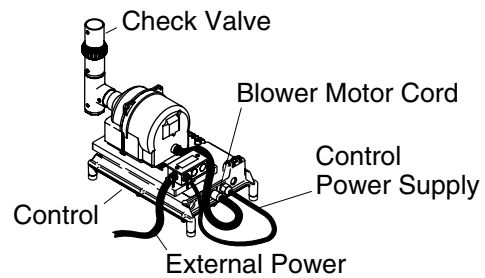
CAUTION: Risk of property damage. A watertight seal must exist on all bath drain connections. The watertight seal will prevent property damage.

- Connect the drain to the trap according to the drain manufacturer's instructions.

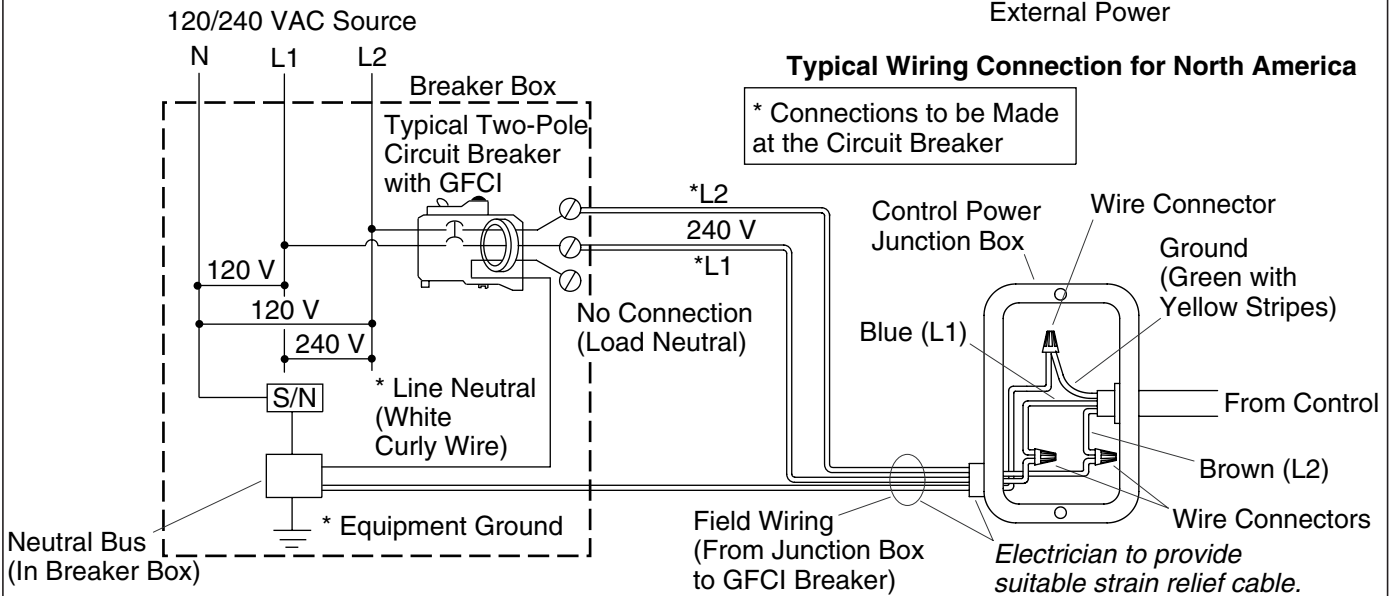
NOTE: To simplify future maintenance, provide access to all plumbing connections.

- Install the faucet valving according to the faucet manufacturer's instructions. Do not install the faucet trim until instructed. Open the hot and cold water supplies, and check the supply connections for leakage.
- Run water into the bath, and check the drain connections for leakage.

Bond in accordance with national and local codes. Open bonding lugs are located at the top of the junction box.



Typical Wiring Connection for North America



7. Make Electrical Connections - Standard

NOTE: The product model number is printed on a label on the blower side of the bath. This label also identifies the electrical rating of the product. All baths come equipped with a wiring junction box and are designed to operate between 220 VAC and 240 VAC at either 50 Hz or 60 Hz.



WARNING: Risk of electrical shock. Make sure the power has been disconnected before performing the following procedures. Refer to the "Important Information" section.



WARNING: Risk of electrical shock. To reduce the risk of electrical shock, connect the blower to a properly grounded Ground-Fault Circuit-Interrupter (GFCI) or Residual Current Device (RCD). This will provide additional protection against line-to-ground shock hazard. A 220-240 V, 15 A, 50/60 Hz dedicated circuit is required.

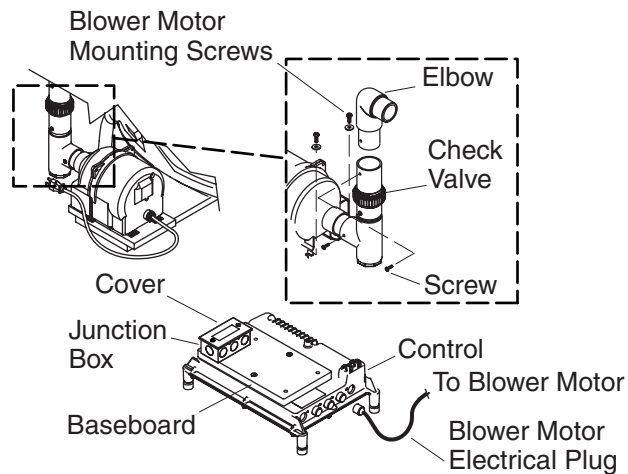
NOTICE: The **load neutral** is not used. There should be no connection to the **load neutral** terminal on the Ground-Fault Circuit-Interrupter (GFCI) or Residual Current Device (RCD). The green wire with the yellow stripe is the **equipment ground** and needs to be connected to the neutral bus in the main circuit breaker box.

NOTICE: The bath control and system have been pre-wired at the factory. A qualified electrician should make a routine service connection to the junction box.

- Connect service to the control power junction box. The junction box contains blue, brown, and green with a yellow stripe colored wires. Follow local electrical codes. Bond in accordance with national and local codes.

NOTE: A wiring harness has been pre-wired at the factory. No additional wiring is required, but ensure that all wires are securely fastened.

NOTE: Your wiring harness includes an antenna for the optional remote control. Do not alter or damage this antenna during installation.



8. Remove Blower Motor and Check Valve - Remote

NOTICE: This section applies only to installations in which the blower motor and check valve are being relocated from the shipping position on the support board.

NOTICE: Do not cut the blower harness for this installation.

NOTICE: You must relocate the check valve with the blower motor.

Remove the Blower Motor

- Disconnect the blower motor electrical plug from the control.
- Remove any cable ties that support the blower motor cord.
- Remove and retain the retaining screw holding the blower harness on the blower motor discharge.
- Remove and retain the four motor mounting screws from the blower adapter baseboard.
- While restraining the tee with one hand, slide the blower motor away from the tee.
- Remove the blower motor from the bath.

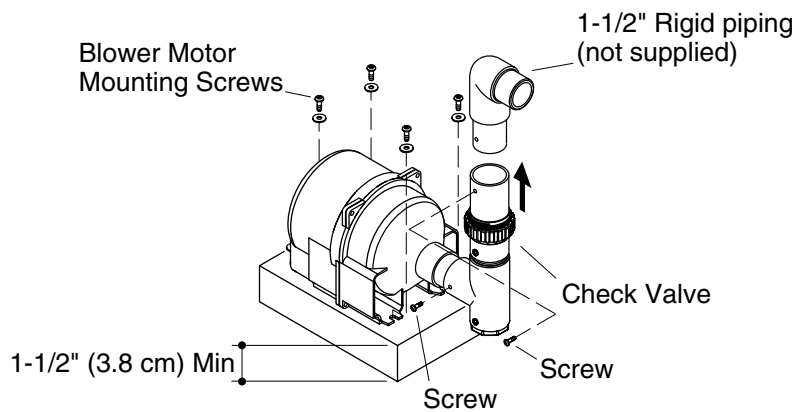
Remove the Check Valve

- Remove and retain the upper retaining screw at the check valve.
- Remove the check valve and attached PVC elbow from the bath.

Prepare the Site

NOTE: Refer to the "Before You Begin" section for detailed requirements for the blower motor relocation.

- Prepare the site where the blower motor will be installed. The site must be within 15' (4.5 m) of the bath.
- As appropriate, install an access panel to service the blower motor.
- As appropriate to the installation, prepare the routing paths for the PVC piping and the new blower motor power cable. Follow all applicable codes.



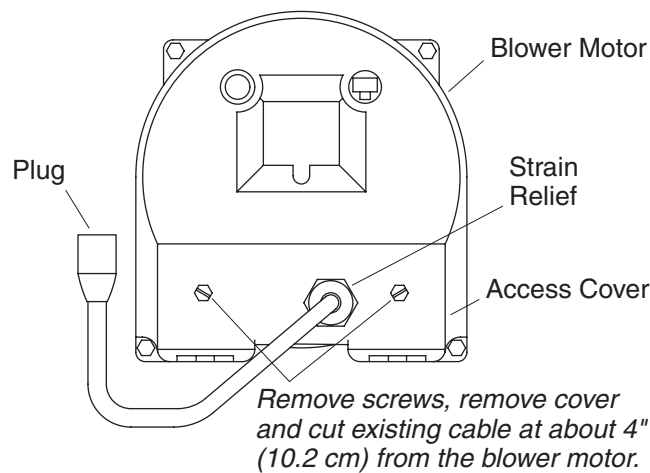
9. Mount Blower Motor and Check Valve - Remote

NOTE: The blower motor must be mounted horizontally 2" (5.1 cm) above the floor. Do not mount the blower motor with the blower motor discharge pointing up.

NOTE: The check valve must be relocated with the blower motor. At the new location, the check valve must be no lower than 24" (61 cm) below the rim of the bath. The check valve must be within 12" (30.5 cm) of the blower motor. The check valve must be oriented vertically with the flow arrow pointing up.

NOTE: Refer to the "Before You Begin" section for other detailed requirements for the blower motor relocation.

- At the new blower motor location, install a minimum 1-1/2" (3.8 cm) high block (not supplied) for the blower motor support.
- Use the blower motor as a template to mark the location of the four mounting bolts or screws.
- Drill four 1/8" (3 mm) pilot holes for the blower motor mounting screws.
- Install and support PVC or other 1-1/2" rigid piping (not supplied) between the blower motor location and the bath air harness.
- Connect the new piping to the existing air harness without modifying the air harness. Align the new pipe and secure the connection with PVC cement. **Allow the PVC cement to cure according to the manufacturer's instructions.**
- Connect the check valve assembly to the new piping. Align the new pipe with the check valve assembly and drill a hole for the existing mounting screw. Use silicone or equivalent sealant at the connection and reuse the screw that was removed previously. Allow the sealant to cure according to the manufacturer's recommendations.
- Apply silicone or equivalent sealant to the lower connection of the check valve assembly.
- Align the blower motor with the lower connection of the check valve assembly. Position the motor on the support block. Reinstall the retaining screw. Allow the sealant to cure according to the manufacturer's recommendations.
- Fasten the blower motor to the new support block with the retained mounting screws.



10. Terminate Blower Power Cable - Remote

Route the Blower Power Cable

- Route two conductors with ground 18 AWG or equivalent power cable (not supplied) between the bath and blower motor locations. Follow all applicable electrical and fire codes. Ensure that the cable jacket meets applicable code requirements and the cable is properly supported and protected.

Prepare the Blower for Remote Installation

- Loosen the cable strain-relief nut on the blower motor. Push the nut back on the cable to provide clearance for removal of the cover.
- Remove the two access cover screws from the back of the blower motor. As you are loosening the screws, check periodically if the cover can be slid back on the electrical cable.
- When the cover is loose, use electrician pliers or equivalent to cut the electrical cable at a point about 4" (10.2 cm) from where the cable disappears into the blower motor housing.
- Pull the free end of the electrical cord through the cover, insert, and strain relief nut.
- Discard the existing strain relief nut and insert.
- Reconnect the blower motor plug to the control.
- Install a standard NPT threaded strain relief to the blower motor cover.
- Temporarily store the removed components in a safe location.

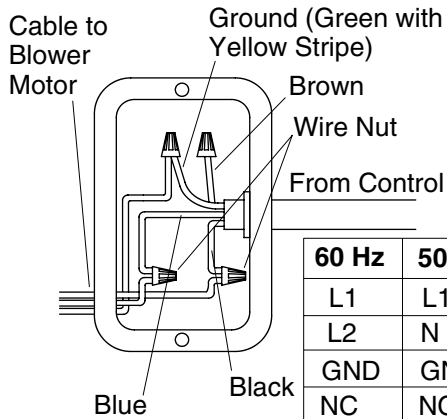
Terminate the New Power Cable at the Blower Motor

- At the blower motor 4" (10.2 cm) pigtail lead, strip back the cable jacket about 3" (7.6 cm).
- Using a wire nut, cap off the unused brown conductor in the cable jacket.
- At the newly installed blower motor power cable, strip back the cable jacket about 2" (5.1 cm).
- For installations in the United States, mark any white conductors with red or black tape as required by the NEC.
- Strip the wire insulation about 3/8" (1 cm) from the blower motor pigtail leads and from the power cable leads.
- Route the new power cable leads through the blower motor access cover and strain relief.
- Using wire nuts or other approved termination methods, terminate the conductors as follows:
 - Connect the black pigtail lead to the L1 conductor of the power cable.
 - Connect the blue pigtail lead to the L2 conductor of the power cable.

Terminate Blower Power Cable - Remote (cont.)

- Connect the green with yellow stripe pigtail lead to the grounding or earthing conductor of the power cable.
- With the two screws, reinstall the access cover on the blower motor.
- Tighten the strain relief on the power cable at the blower motor.
- Remove any dust or debris from the blower motor area.

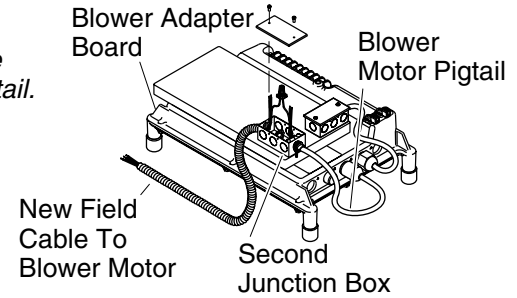
Second Junction Box



60 Hz	50 Hz	From Control
L1	L1	Black
L2	N	Blue
GND	GND	Green w/Yellow Stripe
NC	NC	Brown

Strip back the jackets about 3" (7.6 cm) on the field cable and on the blower motor pigtail. Then cut the unused fourth conductor brown wire off at the point that the cable jacket ends.

Control Power Junction Box



Route the cut end of the cord to the new junction box. Add strain relief. Install junction box with cover and bonding lug (not provided).

11. Install Blower Cord at Control - Remote

Install the Second Junction Box on the Control

- Install a second junction box with external bonding lug, two strain reliefs, and a cover (not supplied) on the blower adapter board on the control.
- Connect a solid copper 8 gauge bonding wire from the bonding lug on the new junction box to the spare bonding lug on the control. Follow all local electrical codes.

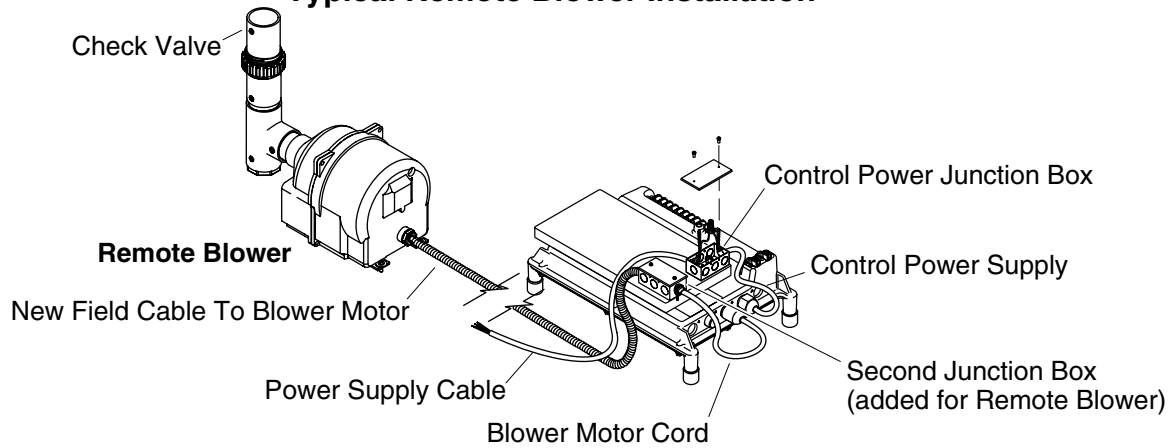
Reconnect the Blower Motor Power Cord

- If required, reconnect the blower motor power cord at the control.
- Route the power cord through a strain relief on the second junction box. Tighten the strain relief.
- At the end of the cut power cord, strip back the cable jacket about 3" (7.6 cm).
- Using a wire nut, cap off the unused brown conductor in the cable jacket.
- Strip the wire insulation about 3/8" (1 cm) of the remaining wires from the control.

Terminate the New Power Cable

- Route the new power cable from the blower through the other strain relief on the second junction box. Tighten the strain relief.
- Strip back the cable jacket about 3" (7.6 cm).
- For installations in the United States, mark the white wire with either red or black electrical tape as required by the NEC.
- Strip the end of the wires about 3/8" (1 cm).
- Use approved termination devices to terminate the conductors as follows:
 - Terminate the black pigtail lead to the L1 conductor of the power cable.
 - Terminate the blue pigtail lead to the L2 conductor of the power cable.
 - Terminate the green with yellow stripe pigtail lead to the grounding or earthing conductor of the power cable.
 - Terminate the brown wire with a wire nut. The brown wire is not used.
- Install the cover on the new junction box.

Typical Remote Blower Installation



12. Make Supply Power Connections - Remote



WARNING: Risk of electric shock. To reduce the risk of electric shock, connect the control to a properly grounded Ground-Fault Circuit-Interrupter (GFCI) or Residual Current Device (RCD). This will provide additional protection against line-to-ground shock hazard. A dedicated 220-240 V, 15 A, 50/60 Hz circuit is required.



WARNING: Risk of electric shock. Make sure the power has been disconnected before performing the following procedures.

NOTE: The model number and electrical rating for the bath is printed on a label near the bath blower motor.

- Ensure that the control power supply cord is properly routed to the control power junction box. The control power supply cord contains a brown wire (Line 1), a blue wire (Line 2), and a green wire with a yellow stripe (ground or earth).
- Install a strain relief (not provided) for the power supply cable to the control power junction box.
- Route the power supply cable to the control power junction box.
- As required, strip the jacket and wire insulation on both cables to make the connections.
- For installations in the United States, mark any white conductor in the supply power wiring with red or black tape as required by the NEC.
- Connect service to the control power junction box.
- Provide a separate equipment earthing or grounding conductor to the spare earth/ground lug located on the control power junction box. This conductor **must not** be connected to any current-carrying conductor. Follow local electrical codes.
- Bond in accordance with national and local codes.
- Clean the area of all dust and debris.
- All wiring harnesses have been pre-wired at the factory. Ensure that all wires are securely fastened.

NOTE: Your wiring harness includes an antenna for the optional remote control. Do not alter or damage this antenna during installation.

13. Test Run the Bath with Airjets

NOTE: If the bath is not operating properly, consult the "Troubleshooting" section of this guide before calling a qualified service representative.

NOTE: For additional information on operating the bath, see the "Operate User Keypad" section.

Test Run the Bath with Airjets (cont.)

Preliminary Checks

- Temporarily remove all access panels.
- Ensure that the area around the blower is free of sawdust, insulation, dirt, or other small loose debris.
- Verify the union connection at the check valve is securely hand tightened.
- Verify the air harness connections from the blower to the butterfly valves are properly connected and supported.
- Verify the piping from the check valve to the butterfly valves is properly connected and supported.
- Ensure that the cable ties or other clips are supporting the air supply harness and electrical harnesses at the bath.
- Ensure any unused electrical connectors are supported above the floor.
- Check all electrical connections. Verify the electrical power to the bath is turned on.
- Ensure all air harness connections are tightened.
- Verify that the blower banding straps have been cut, and that the blower control is resting directly on the subfloor. Make sure the rubber isolation feet are in place.

Confirm Blower Operation

- Remove the protective drop cloth from the bath.
- Fill the bath to a level at least 2" (5.1 cm) above the top of the highest airjet.
- Press the power button on the user keypad.
- Observe that the user keypad icons illuminate. The air flow mode icon and the chromatherapy cycle icon (if provided) will illuminate green. The Zone 1, Zone 2, and Zone 3 icons are also illuminated green since all three zones are activated.
- Observe that the blower motor starts at a midrange speed.
- If provided, verify that all four chromatherapy lights are illuminated. The cycling of colors may not be readily apparent as the cycle time may be rather long.

NOTE: The purge cycle mode cannot be selected while there is water in the bath.

- Rotate the outer ring through each of the available icon positions.
- As each icon is selected to activate each mode, verify the icon begins flashing green. If the mode is not operating, the icon will flash blue.
- As each icon is deselected, verify each icon stops flashing.
- Select and activate the air flow mode icon.
- Press the up or down button to verify the air flow increases or decreases.
- Stop the blower.
- Check for water leakage at the bath, the bath drain, and the air harness.

Confirm the Individual Zone Control

- Select and deactivate Zone 1.
- Verify the air stops flowing in the corresponding zone.
- Activate Zone 1.
- Repeat for Zones 2 and 3.
- Check all air harness connections for leaks.

Test Run the Bath with Airjets (cont.)

Confirm the Surge Mode Operation

NOTE: The surge mode cycles the speed of the blower motor between minimum and maximum settings, as shown on the indicator bar on the user keypad. Six cycle times are available, ranging from about 10 seconds to about one minute. In this mode, the cycle time can be controlled using the up or down button on the user keypad. The surge mode will operate with any zone or all zones selected.

- Select and activate the surge mode.
- Verify that the air flow cycles between minimum and maximum.
- Increase or decrease the speed of the surge cycle by pressing the up or down button.
- Press the power button on the user keypad.

Operate the Chromatherapy Cycle (if equipped)

- Rotate the outer ring to the chromatherapy icon, then press "OK". The chromatherapy lights will automatically and continuously cycle through the eight colors; white, violet, indigo blue, aqua blue, green, yellow, orange and red. One cycle through all eight colors takes approximately one minute.
- Press "OK" while the chromatherapy mode is active to turn off the chromatherapy lights.
- Rotate the outer ring to the chromatherapy specific color icon, then press "OK". Use the up or down arrows to reach the desired color.
- Press "OK" again to turn off the chromatherapy lights.

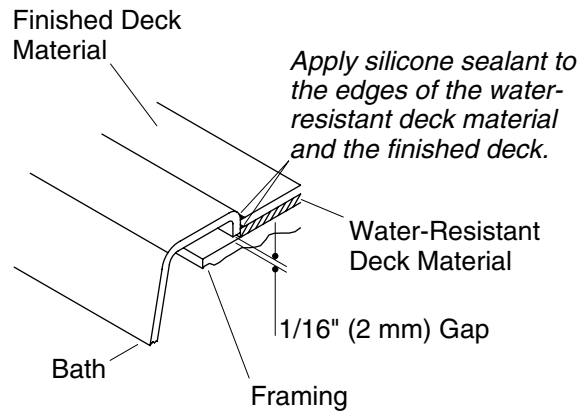
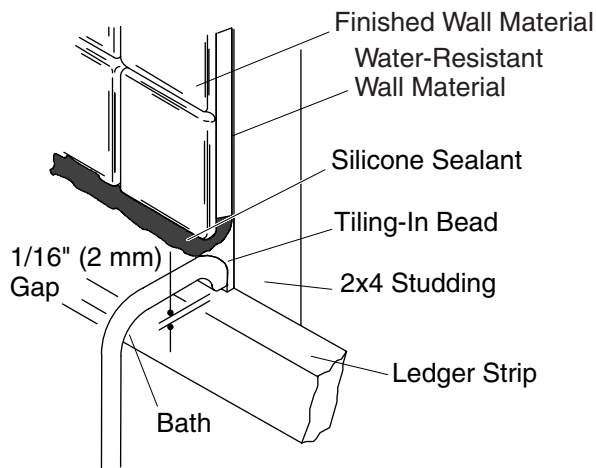
Operate the Automatic Purge Cycle

NOTE: The automatic purge cycle occurs after the bath is drained. It operates at low speed for about two minutes to remove any residual water from the air harness.

- If required, fill the bath to a level at least 2" (5.1 cm) above the top of the highest airjet.
- Drain the bath.
- When the water level drops below the level sensor probes, verify that the blower starts at low speed.
- After about two minutes, verify that the blower motor stops.

Operate the Manual Purge Cycle

- With the bath drained, rotate the outer ring to the purge cycle icon.
- Press the "OK" icon.
- Observe that the blower starts in the purge cycle. Residual water will blow out from the air harness.
- After the blower has operated for about two minutes, observe that the blower stops.
- Place the protective drop cloth over the bath.
- Turn off the power to the bath.



14. Complete the Finished Wall/Deck

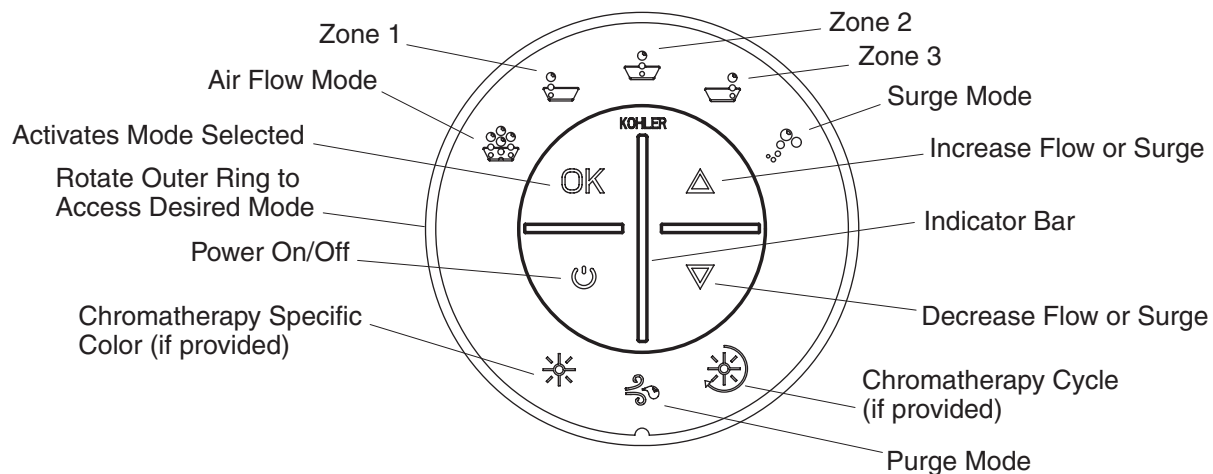
- If you have not already done so, carefully remove the protective tape from the bath rim.
- Cover the framing with water-resistant wall/deck material. Seal the joints between the bath rim edge and the water-resistant wall/deck with silicone sealant.
- Tape and mud the water-resistant wall/deck material. Install the finished wall/deck to the water-resistant wall/deck material. Seal the joints between the bath rim and the finished wall/deck material with silicone sealant.
- Install the faucet trim according to the instructions packed with the trim.

15. Complete the Concrete Installation

- If you have not already done so, carefully remove the protective tape from the bath rim.
- Apply mortar and tile to any wall, deck, and surround material as needed.
- Apply a bead of sealant where the tile meets the bath surface.
- Install the faucet trim according to the instructions packed with the trim.

16. Clean-Up After Installation

- Clean the area around the blower motor of all dust and debris.
- Use warm water and a liquid detergent to clean the surface of the bath. **Do not use abrasive cleansers**, as they may scratch and dull the bath surface. **Do not use powdered cleaners unless the cleaner is fully dissolved in water.** Solid substances could block the airjets. **Do not use bleach or ammonia cleaning solutions.** Chemically active cleaning solutions can damage the bath surface. Refer to the Homeowners Guide for normal cleaning recommendations.
- Remove stubborn stains, paint, or tar with turpentine or paint thinner. **Do not allow cleaners containing petroleum distillates to remain in contact with any bath surfaces for long periods of time.** Remove plaster by carefully scraping with a wood edge. Do not use metal scrapers, wire brushes, or other metal tools. Use a powder-type detergent on a damp cloth to provide mild abrasive action to any residual plaster.



17. Using the Keypad

Available modes/features will be illuminated in blue. Active modes will be illuminated in green.

Power On/Off	Turns the blower motor on and off.
Outer Ring	Rotate the outer ring to the desired mode. The selected mode will flash blue.
OK	Activates the desired mode. The active mode will flash green.
Air Flow Mode	Air flow is directed through any combination of the airjets in the selected zones. Adjust the air flow with the arrow buttons. When the surge mode is selected, the air flow mode stops. When the air flow mode is selected while operating in the surge mode, the surge mode stops.
Zone 1	Selects or deselects the air flow through Zone 1.
Zone 2	Selects or deselects the air flow through Zone 2.
Zone 3	Selects or deselects the air flow through Zone 3.
Surge Mode	When active, the air flow ramps up from minimum to maximum and then down again to minimum. Adjust the surge speed between 10 seconds and 60 seconds by using the up or down buttons. Select or deselect zones when in the surge mode.
Up Arrow	Increases the air flow when the air flow mode is active. Increases the pulse speed when the surge mode is active.
Indicator Bar	Shows the air flow volume when operating in the air flow mode. Shows the surge speed when operating in the surge mode.
Down Arrow	Decreases the air flow when the air flow mode is active. Decreases the pulse speed when the surge mode is active.
Chromatherapy Cycle	Rotate the outer ring to select this mode, then press OK. The chromatherapy lights will automatically and continuously cycle through eight colors. One cycle through all eight colors takes approximately one minute. Only one of the two keypads controls this mode.
Purge Mode	Select to initiate the purge mode manually. The purge cycle will not start if there is water in the bath. The purge mode blows any residual water out of the air harness. The blower motor starts and runs at a low speed for about two minutes. An automatic purge cycle occurs when the bath is drained and the water level falls below the level sensors.
Chromatherapy Specific Color	Rotate the outer ring to select this mode. Press OK, press the up or down arrow to select a color, then press OK again. Only one of the two keypads controls this mode.
Sleep Mode	To enhance your bathing experience, the keypad is programmed to darken after approximately 15 seconds of inactivity. Only the last feature selected will remain illuminated. To resume normal operation, press any key or turn the outer ring. Approximately 60 seconds after all equipment is turned off, the keypad will darken completely to conserve power. Press the power button or turn the outer ring to reactivate the keypad.

Guide d'installation

Baignoire à jets d'air

Informations importantes



AVERTISSEMENT: Lors de l'utilisation des produits électriques, des précautions de base doivent toujours être observées, incluant ce qui suit:



DANGER: Risque d'électrocution. Afin de réduire les risques de choc électrique, connecter uniquement à des circuits protégés par un disjoncteur de fuite de terre (GFCI) ou un appareil de courant résiduel (RCD).



AVERTISSEMENT: Risque d'électrocution. Un électricien qualifié devrait effectuer toutes les connexions électriques.



AVERTISSEMENT: Risque d'électrocution. Débrancher l'alimentation avant de procéder à l'entretien.

AVIS: Respecter tous les codes de plomberie et électriques locaux.

Une mise à la terre est requise. L'unité doit être installée par un représentant qualifié et être mise à la terre.

Les matériaux de construction et le câblage doivent être acheminés loin du souffleur et des autres composants qui dégagent de la chaleur de l'unité.

Installer de façon à permettre l'accès pour l'entretien.

Un connecteur à pression marqué "Terre/Masse" est prévu dans le compartiment du câblage. Afin de réduire les risques de choc électrique, raccorder le connecteur à une borne de terre du panneau de service électrique avec un câble en cuivre ayant la même dimension que le fil conducteur qui alimente cet équipement.

Un connecteur à pression par câble est prévu à l'extérieur de la boîte de jonction de la pompe ou de la commande de cet appareil afin de permettre la connexion entre l'appareil et toutes autres surfaces de métal avoisinantes, tel que requis par les normes locales.

Branchements électriques requis

REMARQUE: Si le câble d'alimentation est endommagé, il doit être remplacé par le fabricant, son représentant ou autre personnel similaire qualifié pour éviter tout danger.

L'installation électrique doit avoir un Disjoncteur de Fuite de Terre (GFCI) ou un appareil de courant résiduel (RCD) de classe A. Le GFCI ou le RCD protège contre une électrocution par la mise à la terre. **Utiliser une alimentation dédiée de 220-240 V, 15 A, 60 Hz pour la baignoire à jets d'air.**

Une borne de mise à la terre est incluse dans le boîtier du câblage. Afin de réduire les risques d'électrocution, cette borne doit être raccordé à la borne de mise à la terre du panneau du service électrique, avec un conducteur ayant le même calibre que celui des conducteurs du circuit qui alimente cet équipement.

Installer l'unité conformément au Code Électrique Canadien, Partie I.

Notices du produit



AVERTISSEMENT: Risque de blessures ou d'endommagement du matériel. Des modifications non autorisées pourraient provoquer un fonctionnement dangereux ou affecter la performance de la baignoire à jets d'air. Ne pas changer l'emplacement du moteur-souffleur et ne pas effectuer d'autres modifications sur le système de baignoire sans le kit ou sans autres instructions publiées, vu que ce qui pourrait affecter la performance et l'opération sans danger du produit. Kohler Co.

Informations importantes (cont.)

décline toute responsabilité sous ses garanties quant à toutes blessures ou dommages causés par des modifications non autorisées. Se référer à la section "Avant de commencer" pour les exigences de déplacement du moteur-souffleur, les recommandations, et l'information de la section.

AVIS: Garder l'espace autour du moteur-souffleur propre et exempt de débris. S'assurer que l'espace autour du moteur-souffleur soit exempt de sciure, insulation, poussière, ou autres petits débris volatiles. De tels matériaux pourraient boucher les conduits d'air du moteur-souffleur et réduire le débit d'air à travers le souffleur.

Caractéristiques assemblées en usine

Les composants assemblés en usine incluent un moteur-souffleur, un harnais d'air, un contrôle, une valve clapet de non-retour, des valves papillons, des lumières de chromothérapie (si fournies), un harnais électrique, et un clavier d'utilisateur illuminé. Aucun montage n'est nécessaire excepté celui du câblage électrique et de la tuyauterie.

Connexions et accès pour l'entretien

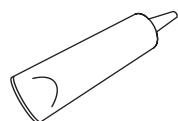
AVIS: Prévoir un accès total de service au moteur-souffleur. Prévoir suffisamment d'accès pour l'entretien futur du moteur-souffleur et des contrôles. La panneau d'accès doit être placé juste à côté du moteur-souffleur. Étudier le plan de raccordement emballé avec la baignoire à jets d'air.

Avant l'installation, s'assurer qu'il y ait un bon accès au moteur-souffleur et aux connexions. Si le moteur-souffleur est installé dans un espace fermé, un panneau d'accès au moteur-souffleur est requis. Ce panneau devrait avoir une largeur de 34" (86,4 cm) et une hauteur de 15" (38,1 cm) minimum.

Sommaire

Informations importantes	1
Outils et matériels	3
Avant de commencer	3
Préparer le site - Construction en bois	5
Préparer le site - Construction en béton	6
Préparer la baignoire	6
Installer la baignoire avec jets d'air	7
Couper les sangles à bande du souffleur	8
Installer la plomberie	8
Effectuer les connexions électriques - Standard	9
Retirer le moteur du souffleur et le clapet de non-retour - À distance	11
Monter le moteur-souffleur et le clapet de non-retour - À distance	12
Arrêter le câble d'alimentation du souffleur - À distance	13
Installer le cordon du souffleur - À distance	15
Effectuer les connexions électriques - À distance	16
Tester la baignoire à jets d'air	17
Compléter le mur/comptoir fini	19
Compléter l'installation en béton	19
Nettoyage après installation	19
Utilisation du clavier	20

Outils et matériels



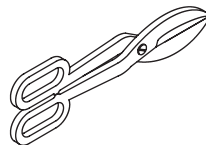
Silicone d'étanchéité



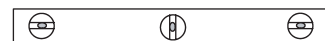
Mètre ruban



Crayon à papier



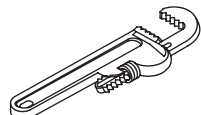
Cisaille de ferblantier



Niveau à bulle



Lunettes de protection



Clé à griffes

Plus :

- Outils conventionnels de menuiserie ou outils et matériaux pour installation
- Bâche de protection
- Cales en métal
- 2 x 4

Avant de commencer



AVERTISSEMENT: Risque de blessures corporelles. Cette baignoire en fonte est très lourde. Obtenir suffisamment d'aide pour la soulever et la déplacer.



ATTENTION: Risque d'endommagement du produit. Ne pas soulever la baignoire par le faisceau ou le moteur-souffleur, et ne pas utiliser ceux-ci comme support structurel de la baignoire.

REMARQUE: Cette baignoire permet au moteur-souffleur et à la valve clapet de rester sur la plaque de support de la baignoire (installation standard) qui est expédiée **ou** d'être placé dans un autre endroit (installation à distance). Se reporter aux sections, notées "Standard" ou "À distance", dans ce guide d'installation pour votre installation.

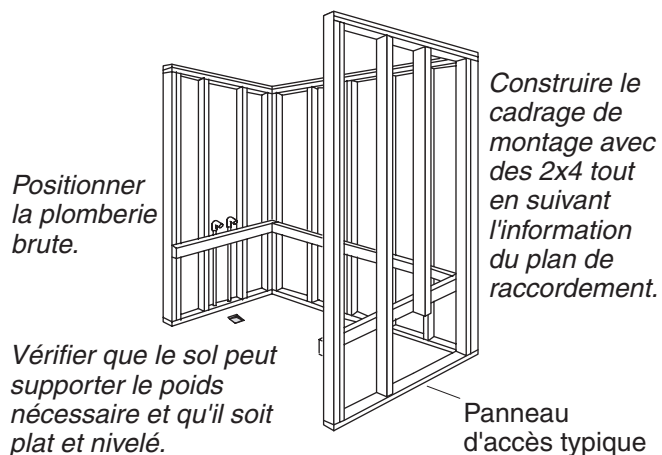
Pour des installations standard et à distance

Avant de commencer (cont.)

- Lire avec attention les instructions d'installation, de fonctionnement et de sécurité pour connaître les outils et matériel requis, ainsi que les étapes d'installation. Suivre les étapes qui s'appliquent à l'installation en question. Ceci vous évitera des erreurs coûteuses.
- Étant donné la variété d'installations possibles pour cette baignoire, des procédures de support autres que celles décrites peuvent être nécessaires.
- S'assurer que l'espace de montage et de raccordement du robinet soit adéquat pour l'installation.
- Nous recommandons ce produit pour une installation encastrée ou en alcôve.
- Avant l'installation, inspecter la baignoire pour en déceler tout dommage.
- Cette baignoire doit avoir le support nécessaire sur un sol de niveau.

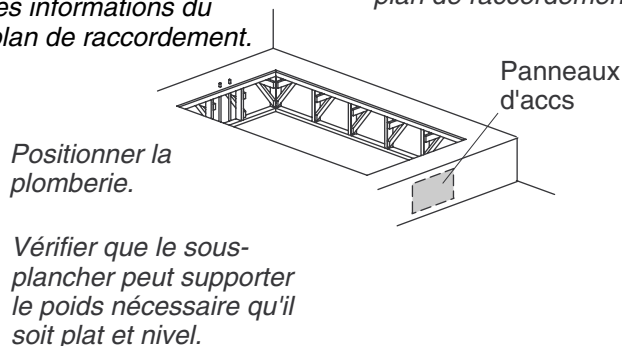
Pour des installations à distance

- Lors du montage du moteur-souffleur et de la valve clapet dans un endroit distant, choisissez un espace le plus près de la baignoire possible pour optimiser le fonctionnement de la baignoire. Prêter attention aux exigences et recommandations suivantes :
 - Le moteur-souffleur doit être monté horizontalement à 1-1/2" (3,8 cm) au moins au-dessus du sol. Ne pas monter le moteur-souffleur avec sa décharge pointée vers le haut.
 - Un PVC de 1-1/2" ou tube rigide équivalent devrait être utilisé.
 - L'installation de la tuyauterie doit être conforme aux codes de plomberie et de bâtiment locaux. S'assurer que l'installation ne réduit pas les caractéristiques anti-incendie de tout mur. La tuyauterie doit être supportée à intervalles sur la longueur en accordance avec les codes locaux.
 - S'assurer que l'espace du moteur-souffleur soit propre et exempt de poussière ou de débris.
 - Si approprié, installer un panneau d'accès à la maintenance du moteur-souffleur supplémentaire.
 - Le câble d'alimentation minimum de 18 AWG au moteur-souffleur doit être conforme aux codes applicables d'électricité et de construction. S'assurer que l'installation ne réduit pas les caractéristiques anti-incendie de tout mur.
 - Le câble d'alimentation doit être supporté à intervalles sur la longueur en accordance avec les codes locaux. Les câbles d'alimentation ne doivent pas reposer sur des surfaces ou sols sujets à inondation.
 - Tous les matériels nécessaires à la relocalisation doivent être fournis par l'installateur.
- Outils et matériaux supplémentaires:
 - Pincés d'électricien.
 - Tournevis variés.
 - Clé à molette
 - Perceuse et mèches telles que requises pour installer les fixations de montage du souffleur.
 - Un câble à gaine 18 AWG non-métallique, deux conducteurs avec mise à la terre, et avec clips de support, tel que requis.
 - Un boîtier de jonction électrique de 4" (10,2 cm) x 2" (5,1 cm) avec couvercle, joint, et vis de montage.
 - Trois serre-câbles. L'un d'entre eux doit s'adapter au couvercle du moteur-souffleur avec des filets NPT (National Pipe Thread). Les deux autres doit s'adapter aux orifices du nouveau boîtier de jonction.
 - Six connecteurs de fils (écrous pour fils ou équivalent).
 - 1-1/2" PVC ou autre tube rigide avec : raccords, unions, ciment PVC (ou méthode de fixation équivalente) et clips de support, tel que requis.
 - Quatre dispositifs d'attache (comme des vis à bois à tête plate ou des dispositifs d'ancrage en béton) pour fixer le moteur-souffleur.
 - Un fil de cuivre de liaisonnement solide de calibre 8, 36" (91,4 cm).
- Kohler Co. se réserve le droit d'apporter toutes modifications sur le design des produits et ceci sans préavis, tel que spécifié dans le catalogue des prix.



Construire le cadre avec des montants de 2 x 4 ou de 2 x 6 selon les informations du plan de raccordement.

Préparer le sol selon les informations du plan de raccordement.



1. Préparer le site - Construction en bois

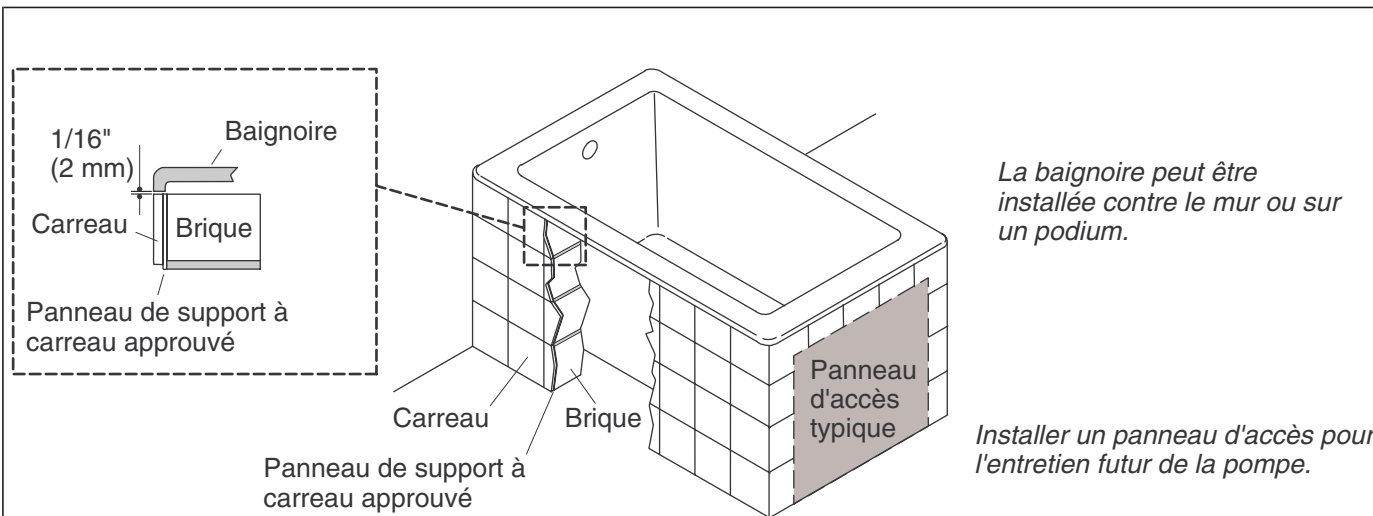


ATTENTION: Risque d'endommagement du matériel. Ne pas soulever la baignoire par le rebord.

AVIS: Un support adéquat doit être fourni. Consulter le plan de raccordement emballé avec votre baignoire pour les spécifications de la préparation du sol.

AVIS: Fournir une ventilation adéquate et un minimum de 15 pieds cube (0,4 mètres cube) à l'endroit d'installation pour le refroidissement du moteur et pour alimenter assez d'air au souffleur. Ne pas installer le moteur-souffleur plus près que 1" (2,5 cm) du mur ou d'autres objets.

- S'assurer que le podium constitue un support adéquat pour votre baignoire et que le fond soit plat et nivelé.
- La baignoire peut être installée dans une installation encastré ou en alcôve. Construire un encadrement de montant de 2x4 conçu pour l'installation en question. Préparer le plancher ou construire un cadre pour une installation élevée, selon le plan de raccordement fourni avec la baignoire.
- Fournir un panneau d'accès pour l'entretien moteur-souffleur et de la commande.
- Positionner la plomberie selon l'information du plan du raccordement. Boucher les alimentations et vérifier s'il y a des fuites.



La baignoire peut être installée contre le mur ou sur un podium.

Installer un panneau d'accès pour l'entretien futur de la pompe.

2. Préparer le site - Construction en béton



ATTENTION: Risque d'endommagement du matériel. Ne pas soulever la baignoire par le rebord.

AVIS: Un support adéquat doit être fourni. Consulter le plan de raccordement emballé avec votre baignoire pour les spécifications de la préparation du sol.

AVIS: Fournir une ventilation adéquate et un minimum de 15 pieds cube (0,4 mètres cube) à l'endroit d'installation pour le refroidissement du moteur et pour alimenter assez d'air au souffleur. Ne pas installer le moteur-souffleur plus près que 1" (2,5 cm) du mur ou d'autres objets.

REMARQUE: Cette baignoire peut être encastrée ou installée sur un podium. L'installation sur podium nécessite un encadrement sur les quatre côtés. Dans les deux cas, s'assurer que le comptoir soit supporté par des briques ou par une structure en béton.

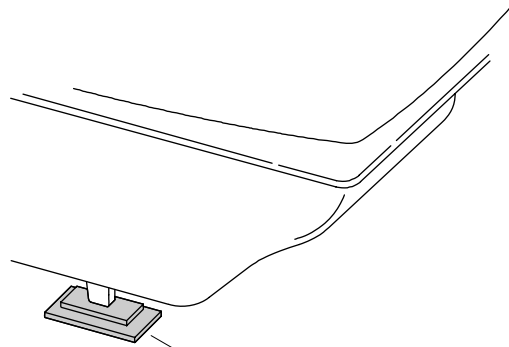
- S'assurer que le podium constitue un support adéquat pour votre baignoire et que le fond soit plat et nivelé.
- Fournir un panneau d'accès pour l'entretien moteur-souffleur et de la commande.
- Construire des supports en brique ou béton.
- Laisser un espace de 1/16" (2 mm) entre le rebord de la baignoire et le cadre en brique ou en béton. Préparer le plancher ou construire un cadre pour une installation élevée, selon le plan de raccordement fourni avec la baignoire.
- Déterminer l'emplacement de la plomberie selon le plan de raccordement fourni. Boucher les alimentations et vérifier s'il y a des fuites.

3. Préparer la baignoire

- Placer un chiffon propre ou matière similaire au fond de la baignoire pour protéger la finition. S'assurer que les jets d'air sont couverts. Faire attention de ne pas rayer la surface de la baignoire.

REMARQUE: Cette baignoire permet au moteur-souffleur et au clapet de non-retour de rester sur la plaque de support de la baignoire (installation standard) qui est livrée ou de les placer à un autre endroit (installation à distance). Se référer à l'installation applicable, standard ou à distance, dans ce guide d'installation.

- Nous recommandons un rebord en carrelage pour ce produit, si un ou plusieurs côtés sont en contact avec un mur. Ceci prévient le suintement d'eau entre le rebord de la baignoire et le mur. Suivre les instructions fournies avec le rebord carrelé pour l'installer maintenant.
- Suivre les étapes d'installation appropriées pour les installations standard ou à distance du souffleur.



*Mettre de niveau à l'aide
des cales en métal sous les
pieds.*

4. Installer la baignoire avec jets d'air



AVERTISSEMENT: Risque de blessures corporelles. Cette baignoire en fonte est très lourde. Obtenir suffisamment d'aide pour la soulever et la déplacer.

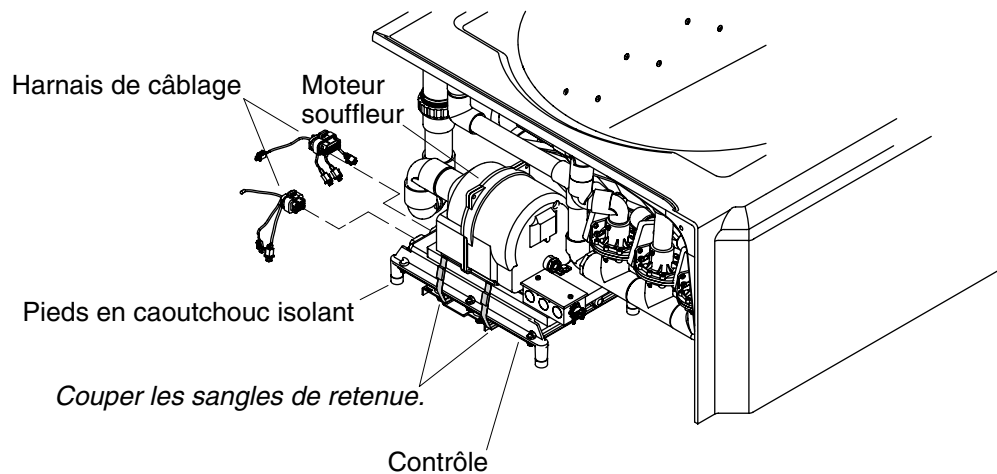


ATTENTION: Risque d'endommagement du produit. Ne pas soulever la baignoire par le faisceau ou le souffleur, et ne pas utiliser ceux-ci comme support structurel de la baignoire.



ATTENTION: Risque d'endommagement du produit. Ne pas soulever la baignoire par le rebord.

- Installer le drain à la baignoire selon les instructions du fabricant. Ne pas connecter le siphon à ce moment.
- Déplacer soigneusement la baignoire à sa place. Insérer la pièce de raccordement du drain dans le siphon.
- Mettre la baignoire de niveau à l'aide de cales métalliques sous les pieds au besoin. Vérifier le nivelage le long du dessus de la baignoire, et à travers le côté du drain. Il peut être nécessaire de déplacer la baignoire pour placer les cales, au cas où les pieds ne sont pas accessibles par le côté ou par le dos de la baignoire. S'assurer que la baignoire repose sur les quatre pieds.



5. Couper les sangles à bande du souffleur

IMPORTANT! Cette étape est nécessaire pour que votre baignoire Kohler fonctionne plus silencieusement.

- Utiliser une cisaille pour couper les deux sangles à bande du souffleur et pour les détacher de celui-ci.
- Pour réduire les bruits et vibrations, s'assurer que le souffleur ne soit pas directement en contact avec le support d'expédition après avoir coupé les sangles à bande. La commande du souffleur comprend des pieds d'isolation en caoutchouc pour réduire le bruit du souffleur.

6. Installer la plomberie



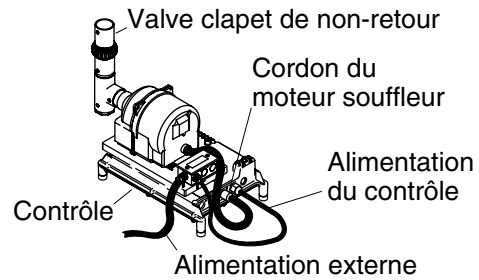
ATTENTION: Risque d'endommagement du matériel. Un joint étanche doit être présent sur toutes les connexions de drain de baignoire. Le joint étanche doit prévenir tout dommage.

- Connecter le drain au siphon selon les instructions du fabricant.

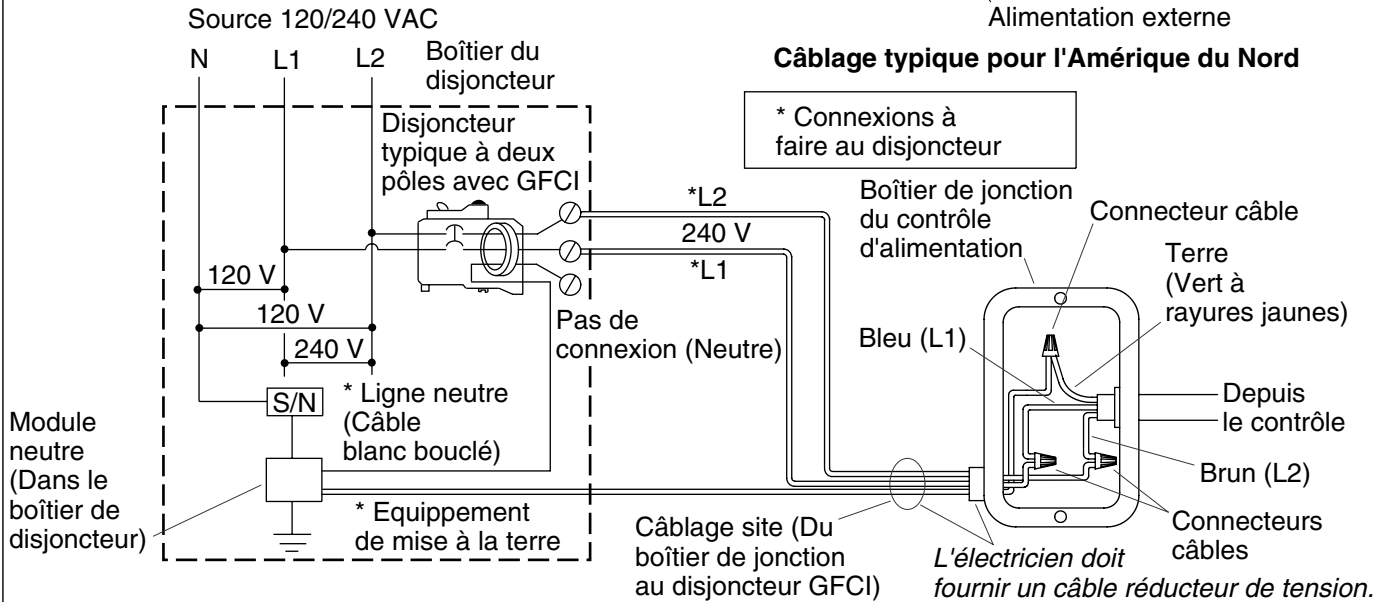
REMARQUE: Prévoir un accès à toutes les connexions de la plomberie pour faciliter tout entretien futur.

- Installer les valves du robinet conformément aux instructions du fabricant. Ne pas installer la garniture du robinet avant l'instruction de le faire. Ouvrir les alimentations d'eau chaude et froide et vérifier qu'il n'y ait pas de fuites.
- Laisser couler l'eau dans la baignoire et vérifier s'il y a des fuites dans les raccords du drain.

Raccorder selon les codes nationaux et locaux.
Des cosse d'ouverture sont localisées au-dessus du boîtier de jonction.



Câblage typique pour l'Amérique du Nord



7. Effectuer les connexions électriques - Standard

REMARQUE: Le numéro de modèle du produit est imprimé sur une étiquette placée sur le côté souffleur de la baignoire. Cette étiquette identifie aussi les caractéristiques électriques du produit. Toutes les baignoires sont équipées d'un boîtier de jonction de câblage et sont conçues pour fonctionner entre 220 V c.a. et 240 V c.a. soit à 50 HZ ou à 60 Hz.



AVERTISSEMENT: Risque d'électrocution. S'assurer que l'alimentation ait été débranchée avant d'effectuer les procédures suivantes. Se référer à la section "Information importante".



AVERTISSEMENT: Risque d'électrocution. Afin de réduire les risques de choc électrique, connecter le souffleur à une prise de terre, protégée par un disjoncteur de fuite de terre (GFCI) ou à un appareil de courant résiduel (RCD). Ceci fournira une mesure de protection additionnelle contre le risque d'électrocution. Un circuit dédié de 220-240 V, 15 A, 50/60Hz est nécessaire.

AVIS: Les lavabos **charge neutre** n'est pas utilisée. Il ne devrait pas y avoir de connexion au terminal de **charge neutre** du disjoncteur de fuite de terre de classe (GFCI) ou de l'appareil de courant résiduel (RCD) déclenché. Le câble vert à rayure jaune est le **le conducteur de terre** et doit être connecté au module neutre du boîtier du disjoncteur principal.

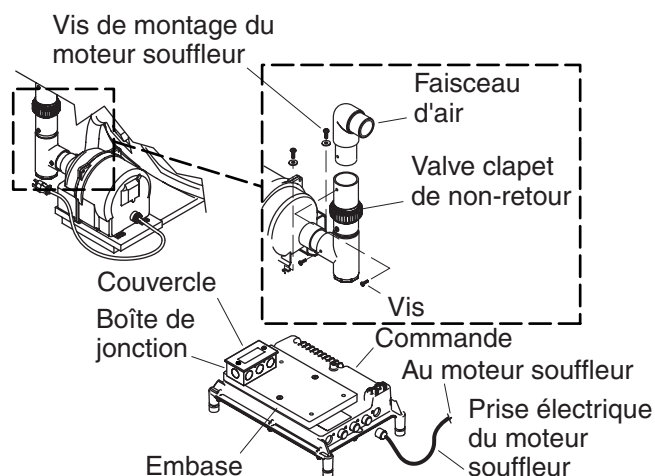
AVIS: Les contrôles et système de la baignoire à hydromassage ont été pré-câblés en usine. Un électricien agréé devrait faire la connexion de routine à la boîte de jonction.

- Connecter le service au boîtier de jonction de contrôle. La boîte de jonction contient des câbles bleus, marrons et verts à rayures. Suivre tous les codes électriques locaux. Raccorder selon les codes nationaux et locaux.

REMARQUE: Un harnais de câblage a été pré-câblé en usine. Aucun câblage supplémentaire n'est nécessaire, mais s'assurer que tous les câbles soient bien sécurisés.

Effectuer les connexions électriques - Standard (cont.)

REMARQUE: Votre câblage électrique comprend une antenne pour la télécommande optionnelle. Ne pas modifier ni endommager cette antenne pendant l'installation.



8. Retirer le moteur du souffleur et le clapet de non-retour - À distance

AVIS: Cette section s'applique uniquement aux installations dans lesquelles le moteur-souffleur et la valve clapet de non-retour sont relocalisées de la position de livraison initiale sur la plaque de support.

AVIS: Ne pas couper le câblage du souffleur pour cette installation.

AVIS: Le clapet de non-retour doit être relocalisé avec le moteur-souffleur.

Retirer le moteur-souffleur

- Déconnecter la prise de courant du moteur-souffleur du contrôle.
- Retirer tout serre-câble qui supporte le cordon électrique du moteur-souffleur.
- Retirer et conserver la vis de retenue qui maintient le faisceau du souffleur sur la sortie du moteur-souffleur.
- Retirer et conserver les quatre vis de fixation du moteur de la plinthe de l'adaptateur du souffleur.
- Tout en retenant le T d'une main, glisser le moteur-souffleur à l'écart du T.
- Retirer le moteur-souffleur de la baignoire.

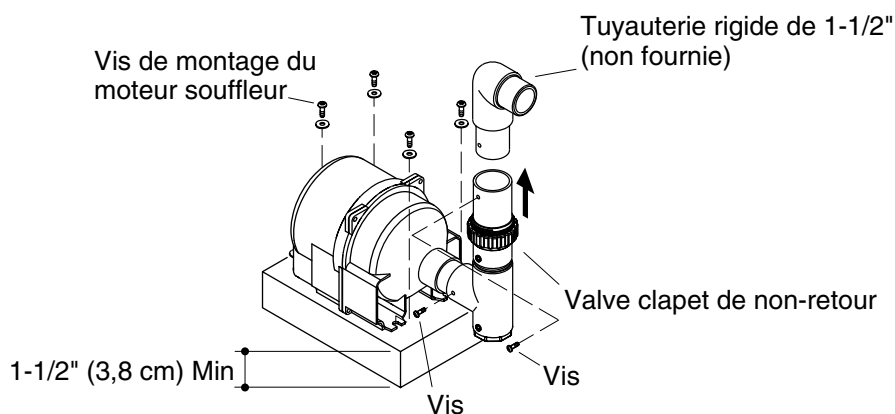
Retirer la valve clapet de non-retour

- Retirer et conserver la vis supérieure à la valve clapet de non-retour.
- Retirer la valve clapet de non-retour et attacher un coude PVC à partir de la baignoire.

Préparer le site

REMARQUE: Se référer à la section "Avant de commencer" pour les exigences détaillées de relocalisation du moteur-souffleur.

- Préparer le site d'installation du moteur-souffleur. Le site doit être à 15' (4.5 m) de la baignoire.
- Installer un panneau d'accès pour la maintenance du moteur-souffleur, si nécessaire.
- Aussi approprié que possible pour l'installation, préparer des guides de routage pour la tuyauterie PVC et le nouveau câble du moteur-souffleur. Suivre tous les codes applicables.



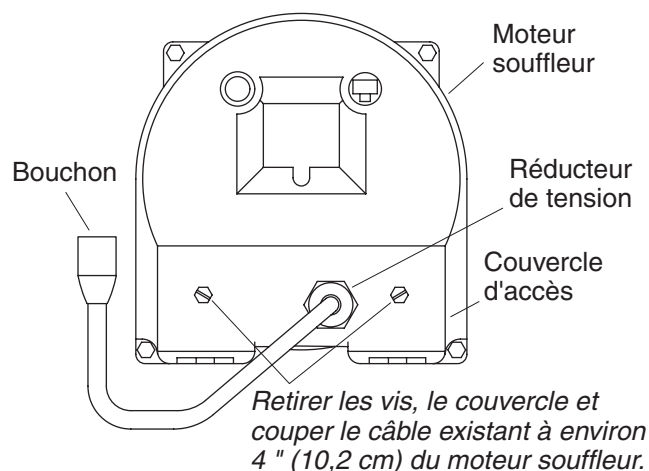
9. Monter le moteur-souffleur et le clapet de non-retour - À distance

REMARQUE: Le moteur-souffleur doit être monté horizontalement au moins à 2" (5,1 cm) au-dessus du sol. Ne pas monter le moteur-souffleur avec sa décharge pointée vers le haut.

REMARQUE: La valve clapet doit être relocalisée avec le moteur-souffleur. Au nouvel emplacement, la valve clapet ne doit pas être plus basse que 24" (61 cm) au-dessous du rebord de la baignoire. La valve clapet doit être à une proximité de 12" (30,5 cm) du moteur-souffleur. La valve clapet de non-retour doit être orientée avec la flèche de débit pointant vers le haut.

REMARQUE: Se référer à la section "Avant de commencer" pour autres exigences détaillées de relocalisation du moteur-souffleur.

- Au nouvel emplacement du souffleur, installer un bloc d'une hauteur minimum de 1-1/2" (3,8 cm) (non-fourni) pour le support du moteur-souffleur.
- Utiliser le moteur-souffleur comme gabarit afin de marquer l'emplacement des quatre boulons de montage ou vis.
- Percer quatre trous-pilotes de 1/8" (3 mm) pour les vis de montage du moteur-souffleur.
- Installer et supporter le PVC ou autre tuyau rigide de 1-1/2" (non fourni) entre l'emplacement du moteur-souffleur et le harnais d'air de la baignoire.
- Connecter la nouvelle tuyauterie au harnais d'air existant sans modifier ce dernier. Aligner le nouveau tuyau et sécuriser la connexion avec du ciment PVC. **Laisser prendre le ciment PVC selon les instructions du fabricant.**
- Connecter l'ensemble de valve clapet de non-retour à la nouvelle tuyauterie. Aligner le nouveau tuyau avec l'ensemble de valve clapet de non-retour et percer un trou pour la vis existante de montage. Utiliser un mastic à la silicone ou équivalent à la connexion et ré-utiliser la vis préalablement retirée. Laisser prendre le mastic selon les recommandations du fabricant.
- Appliquer du mastic à la silicone ou équivalent à la connexion la plus basse de la valve clapet de non-retour.
- Aligner le moteur-souffleur avec la connexion la plus basse de la valve clapet de non-retour. Positionner le moteur sur le bloc de support. Réinstaller la vis de retenue. Laisser prendre le mastic selon les recommandations du fabricant.
- Serrer le moteur-souffleur au nouveau bloc de support avec les vis de fixation restantes.



10. Arrêter le câble d'alimentation du souffleur - À distance

Acheminer le câble d'alimentation du souffleur

- Acheminer deux conducteurs 18 AWG ou équivalent (non fourni) entre la baignoire et le moteur-souffleur. Suivre tous les codes applicables électriques et d'incendie. S'assurer que l'enveloppe du câble soit conforme aux codes applicables et que le câble soit proprement supporté et protégé.

Préparer le souffleur pour une installation à distance

- Desserrer le réducteur de tension de câble sur le moteur-souffleur. Repousser l'écrou sur le câble afin de fournir un espace pour le démontage du couvercle.
- Retirer les deux vis du couvercle d'accès de l'arrière du moteur-souffleur. Tout en desserrant les vis, vérifier périodiquement si le couvercle peut être remis sur le câble électrique.
- Lorsque le couvercle est desserré, utiliser des pinces d'électricien ou équivalent pour couper le câble électrique à peu près à 4" (10,2 cm) de l'endroit où ce dernier disparaît dans le logement du moteur-souffleur.
- Tirer l'extrémité libre du cordon électrique à travers le couvercle, insertion, et écrou de réduction de tension.
- Jeter l'écrou de réduction de tension existant et l'insertion.
- Reconnecter la prise du moteur-souffleur au contrôle.
- Installer un réducteur de tension standard fileté NPT au couvercle du moteur-souffleur.
- Entreposer temporairement les composants retirés dans un lieu sûr.

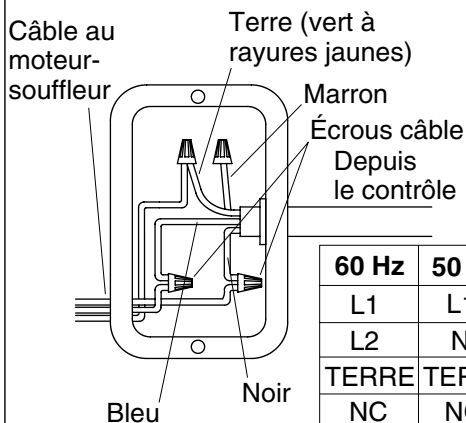
Terminer le nouveau câble d'alimentation au moteur-souffleur

- Au plomb en queue de cochon du moteur-souffleur de 4" (10,2 cm), dénuder le câble d'environ 3" (7,6 cm).
- À l'aide d'un capuchon de connexion, terminer le conducteur brun inutilisé dans la gaine du câble.
- Au nouveau câble d'alimentation du moteur-souffleur installé, dénuder la gaine du câble d'environ 2" (5,1 cm).
- Pour des installations aux États-Unis, marquer tout conducteur blanc avec du ruban rouge ou noir tel que requis par la norme NEC.
- Dénuder l'isolation du câble d'environ 3/8" (1 cm) des plombs en queue de cochon du moteur-souffleur et de ceux du câble d'alimentation.
- Acheminer les nouveaux câbles d'alimentation à travers le couvercle d'accès du moteur-souffleur et du réducteur de tension.

Arrêter le câble d'alimentation du souffleur - À distance (cont.)

- En utilisant les écrous de câble ou autres méthodes de terminaison approuvées, terminer les conducteurs selon la façon suivante:
 - Connecter le plomb en queue de cochon noir au conducteur L1 du câble d'alimentation.
 - Connecter le plomb en queue de cochon bleu au conducteur L2 du câble d'alimentation.
 - Connecter le plomb en queue de cochon vert à rayures jaunes au conducteur de mise à la terre du câble d'alimentation.
- Avec les deux vis, ré-installer le couvercle d'accès sur le moteur-souffleur.
- Serrer le réducteur de tension du câble d'alimentation au moteur-souffleur.
- Retirer toute poussière ou tous débris de l'emplacement du moteur-souffleur.

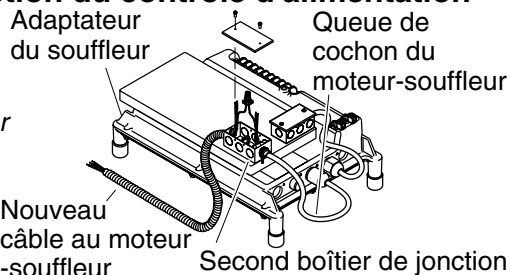
Second boîtier de jonction



60 Hz	50 Hz	Depuis le contrôle
L1	L1	Bleu
L2	N	Noir
TERRE	TERRE	Vert avec rayures jaunes
NC	NC	Marron

Boîtier de jonction du contrôle d'alimentation

Dénuder la gaine du câble d'environ 3" (7,6 cm) du câble et de la queue de cochon du moteur-souffleur. Puis couper le quatrième conducteur brun non-utilisé à l'extrémité de la gaine du câble.



Passer l'extrémité du cordon au nouveau boîtier de jonction. Ajouter un réducteur de tension.

Installer le boîtier de jonction avec le couvercle et cosse (non fournie).

11. Installer le cordon du souffleur - À distance

Installer le second boîtier de jonction au contrôle

- Installer un second boîtier de jonction avec une cosse externe, deux réducteurs de tension, et un couvercle (non fourni) sur la plaque d'adaptation du moteur-souffleur sur le contrôle.
- Connecter le fil solide en cuivre d'un calibre 8 de la cosse du nouveau boîtier de jonction à la cosse restante du contrôle. Suivre tous les codes électriques locaux.

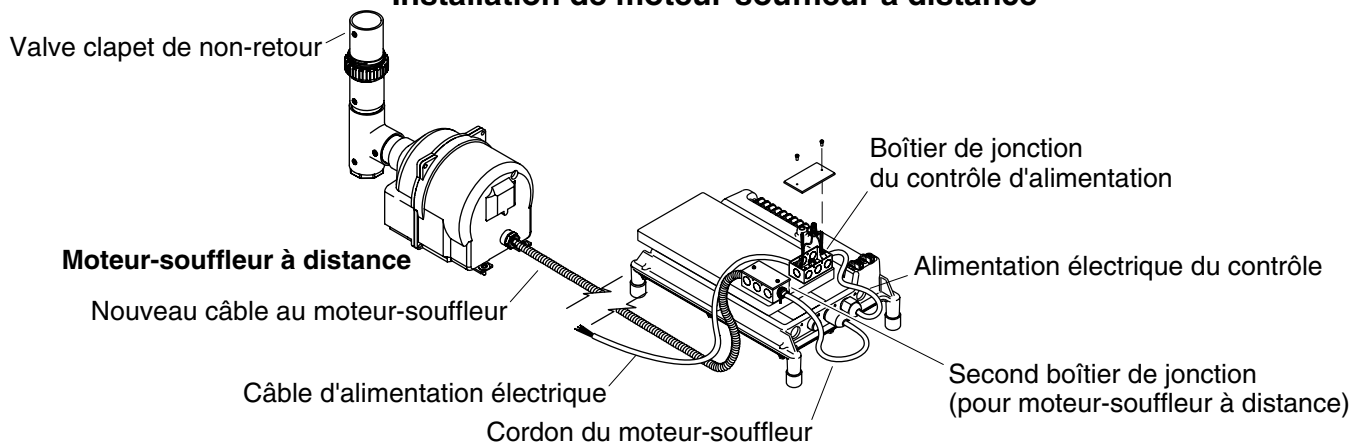
Reconnecter le cordon d'alimentation du moteur-souffleur

- Si requis, reconnecter le cordon d'alimentation du moteur-souffleur au contrôle.
- Acheminer le cordon d'alimentation à travers un réducteur de tension du second boîtier de jonction. Serrer le réducteur de tension.
- A l'extrémité du cordon d'alimentation sectionné, dénuder la gaine du câble d'environ 3" (7,6 cm).
- À l'aide d'un capuchon de connexion, terminer le conducteur brun inutilisé dans la gaine du câble.
- Dénuder l'isolant du câble d'environ 3/8" (1 cm) des fils restant situés sur la commande.

Terminer le nouveau câble d'alimentation.

- Acheminer le nouveau cordon d'alimentation du souffleur à travers l'autre réducteur de tension du second boîtier de jonction. Serrer le réducteur de tension.
- Dénuder la gaine du câble d'environ 3" (7,6 cm).
- Pour des installations aux États-Unis, marquer tout conducteur blanc avec du ruban rouge ou noir tel que requis par la norme NEC.
- Dénuder les extrémités de câbles d'environ 3/8" (1 cm).
- Utiliser des dispositifs approuvés pour terminer les conducteurs comme ce qui suit:
 - Terminer le plomb en queue de cochon noir au conducteur L1 du câble d'alimentation.
 - Terminer le plomb en queue de cochon bleu au conducteur L2 du câble d'alimentation.
 - Terminer le plomb en queue de cochon vert à rayures jaunes au conducteur de mise à la terre du câble d'alimentation.
 - Terminer le câble brun avec un écrou câble. Le câble brun n'est pas utilisé.
- Installer le couvercle du nouveau boîtier de jonction.

Installation de moteur-souffleur à distance



12. Effectuer les connexions électriques - À distance



AVERTISSEMENT: Risque d'électrocution. Afin de réduire les risques de choc électrique, connecter le contrôle à une prise de terre, protégée par un Disjoncteur de Fuite de Terre (GFCI) ou un appareil de courant résiduel (RCD). Ceci fournira une mesure de protection additionnelle contre le risque d'électrocution. Un circuit dédié de 220-240 V, 15 A, 50/60Hz est nécessaire.



AVERTISSEMENT: Risque d'électrocution. S'assurer que l'alimentation ait été débranchée avant d'effectuer les procédures suivantes.

REMARQUE: Le numéro de modèle et les caractéristiques électriques de la baignoire sont imprimées sur une étiquette près du moteur-souffleur.

- S'assurer que le cordon d'alimentation du contrôle est proprement acheminé au boîtier de jonction du contrôle. Le cordon d'alimentation de la commande comprend un fil brun (Ligne 1), un fil bleu (Ligne 2), et un fil vert à rayures jaunes (masse ou terre).
- Installer un réducteur de tension (non-fourni) pour le câble d'alimentation au boîtier de jonction du contrôle.
- Acheminer le câble d'alimentation au boîtier de jonction du contrôle.
- Tel que requis, dénuder la gaine et l'isolation des deux câbles pour effectuer les connexions.
- Pour des installations aux États-Unis, marquer tout conducteur blanc avec du ruban rouge ou noir tel que requis par la norme NEC.
- Connecter le service au boîtier de jonction de contrôle.
- Fournir un équipement conducteur à la terre séparé pour la borne restante de la terre à l'intérieur du boîtier de jonction de contrôle d'alimentation. Ce conducteur **ne doit pas** être connecté à un fil conducteur. Suivre tous les codes électriques locaux.
- Raccorder selon les codes nationaux et locaux.
- Nettoyer la surface de toute poussière et tous débris.
- Tous les harnais de câblage ont été préalablement précâblés en usine. S'assurer que tous les câbles sont bien serrés.

REMARQUE: Votre câblage électrique comprend une antenne pour la télécommande optionnelle. Ne pas modifier ni endommager cette antenne pendant l'installation.

13. Tester la baignoire à jets d'air

REMARQUE: Si la baignoire ne fonctionne pas correctement, consulter la section "Dépannage" de ce guide avant d'appeler un représentant technique qualifié.

REMARQUE: Pour plus d'informations sur le fonctionnement de la baignoire, consulter la section "Fonctionnement du clavier de l'utilisateur".

Vérifications préliminaires

- Retirer temporairement tous les panneaux d'accès.
- S'assurer que l'espace autour du souffleur est exempt de sciure, de matériau isolant, de saleté ou d'autres petits débris volatiles.
- Vérifier que le raccord de la valve capet de non-retour est bien serrée à la main.
- Vérifier que les connexions du faisceau d'air entre le souffleur et les vannes papillon sont raccordées et soutenues de manière adéquate.
- Vérifier que les tuyaux entre le clapet anti-retour et les vannes papillon sont raccordés et soutenus de manière adéquate.
- S'assurer que les serre-câbles ou autres clips soutiennent le faisceau d'alimentation en air et les faisceaux électriques au niveau de la baignoire.
- S'assurer que tous connecteurs électriques inutilisés sont soutenus au-dessus du sol.
- Vérifier les connexions électriques. Vérifier que l'alimentation électrique de la baignoire est sous tension.
- S'assurer que toutes les connexions du faisceau d'air sont étanches.
- S'assurer que les sangles à bande du souffleur ont été coupées et que la commande du souffleur repose directement sur le sous-plancher. S'assurer que les pieds d'isolation en caoutchouc soient en place.

Confirmer le fonctionnement du souffleur

- Retirer temporairement la toile de protection de la baignoire.
- Remplir la baignoire à un niveau d'au-moins 2" (5,1 cm) au-dessus du jet d'air le plus élevé.
- Appuyer sur le bouton d'alimentation sur le clavier de l'utilisateur.
- Observer que les icônes du clavier d'utilisateur s'allument. L'icône du mode débit d'air et celle du cycle de chromathérapie (si fournie) sont illuminées en vert. Les icônes Zone 1, Zone 2, et Zone 3 sont aussi illuminées en vert car toutes les trois zones sont activées.
- S'assurer que le moteur-souffleur démarre à vitesse moyenne.
- Si fournies, vérifier que les quatre lumières de chromathérapie sont illuminées. Le cycle des couleurs peut ne pas être apparent car le temps de cycle pourrait être relativement long.

REMARQUE: Le cycle de purge ne peut pas être sélectionné lors de présence d'eau dans la baignoire.

- Tourner l'anneau extérieur pour le faire passer par toutes les positions d'icône disponibles.
- Vérifier que tous les icônes clignotent en vert lors de leur sélection pour activer chaque mode. Si le mode ne fonctionne pas, l'icône clignotera en bleu.
- L'icône arrête de clignoter lorsqu'elle est désélectionnée.
- Sélectionner et activer l'icône du mode du débit d'air.
- Presser le bouton haut ou bas pour vérifier que le débit augmente ou décroît.
- Arrêter le souffleur.
- Vérifier s'il y a des fuites au niveau de la baignoire, du drain et du harnais d'air.

Confirmer le contrôle de la zone individuelle

Tester la baignoire à jets d'air (cont.)

- Sélectionner et désactiver la Zone 1.
- Vérifier que l'air s'arrête dans la zone correspondante.
- Activer la Zone 1.
- Répéter pour les Zones 2 et 3.
- Vérifier toutes les connexions du faisceau d'air pour s'assurer de l'absence de fuites.

Confirmer le fonctionnement du disjoncteur

REMARQUE: Le mode de surtension fait passer la vitesse du moteur-souffleur entre les réglages minimum et maximum, comme l'indique la barre du clavier. Six cycles sont disponibles allant de 10 secondes à environ une minute. Dans ce mode, le temps de cycle peut être contrôlé avec le bouton haut ou bas du clavier. Le mode protection opèrera avec toute(s) zone(s) sélectionnée(s).

- Sélectionner et activer le mode protection.
- Vérifier que le débit d'air cycle entre minimum et maximum.
- Augmenter ou diminuer la vitesse du cycle de protection en pressant le bouton haut et bas.
- Appuyer sur le bouton d'alimentation sur le clavier de l'utilisateur.

Fonctionnement du cycle de chromathérapie (si équipé)

- Faire tourner la bague extérieure pour choisir ce mode, puis appuyer sur OK. Les lumières de chromathérapie vont continuellement et automatiquement alterner leurs cycles de couleur blanche, violette, bleu indigo, aigue-marine, verte, jaune, orange et rouge. Un cycle des huit couleurs dure à peu près une minute.
- Appuyer sur "OK" lorsque le mode Chromathérapie est actif pour éteindre les lumières.
- Faire tourner la bague extérieure sur l'icône de chromathérapie, puis appuyer sur OK. Utiliser les flèches haut/bas pour atteindre la couleur désirée.
- Appuyer de nouveau sur "OK" pour éteindre les lumières.

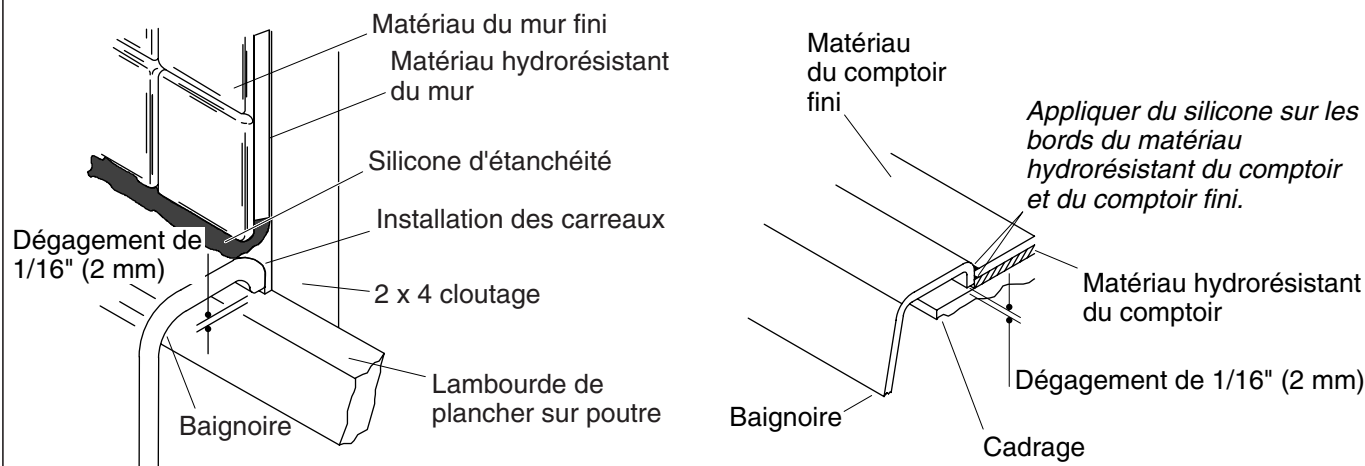
Fonctionnement du cycle de purge automatique

REMARQUE: Le cycle de purge automatique a lieu après la purge de la baignoire. Il fonctionne à basse vitesse pendant environ deux minutes environ pour retirer toute eau résiduelle du faisceau d'air.

- Si nécessaire, remplir la baignoire à un niveau d'au moins 2" (5.1 cm) au-dessus du jet d'air le plus élevé.
- Vider la baignoire.
- Lorsque le niveau d'eau chute au dessous des sondes du capteur de niveau, vérifier que le souffleur démarre à basse vitesse.
- Après environ deux minutes, vérifier que le moteur-souffleur s'arrête.

Fonctionnement du cycle de purge manuel

- Avec la baignoire purgée, tourner la bague extérieur sur l'icône du cycle de purge.
- Appuyer sur "OK".
- Observer que le souffleur commence dans le cycle de purge. De l'eau résiduelle souffle hors du faisceau d'air.
- Après l'opération pendant deux minutes environ du souffleur, observer qu'il s'arrête.
- Placer la bâche de protection sur la baignoire.
- Couper l'alimentation de la baignoire.



14. Compléter le mur/comptoir fini

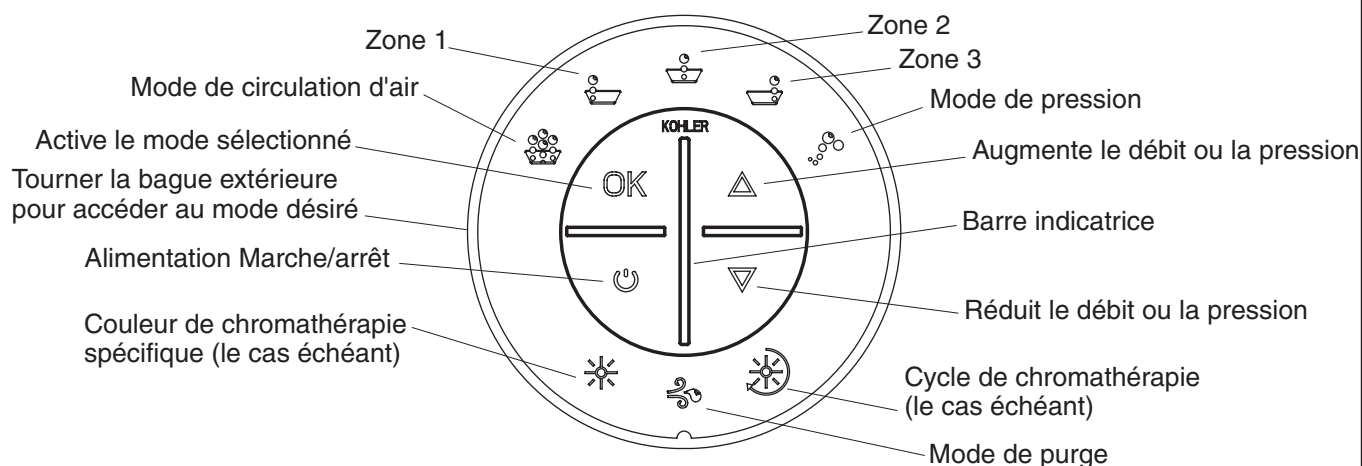
- Si cela n'a pas déjà été fait, retirer soigneusement la pellicule de protection du rebord de la baignoire.
- Couvrir l'encadrement avec du matériau hydrorésistant de mur/comptoir. Sceller les joints entre le rebord de la baignoire et le mur/comptoir hydrorésistant à l'aide de mastic à la silicone.
- Poser et appliquer le matériau hydrorésistant du mur/comptoir. Installer le mur/comptoir fini sur le matériau hydrorésistant du mur/comptoir. Sceller les joints entre le rebord de la baignoire et le matériau du mur/comptoir fini à l'aide de mastic à la silicone.
- Installer la garniture du robinet suivant les instructions emballées avec celle-ci.

15. Compléter l'installation en béton

- Si cela n'a pas déjà été fait, retirer soigneusement la pellicule de protection du rebord de la baignoire.
- Appliquer du mortier et carrelage à n'importe quel mur, comptoir, et matériau avoisinant selon le besoin.
- Appliquer un joint d'étanchéité à l'endroit où les carreaux rencontrent la surface de la baignoire.
- Installer la garniture du robinet suivant les instructions emballées avec celle-ci.

16. Nettoyage après installation

- Nettoyer l'espace autour du moteur-souffleur propre et exempt de débris.
- Nettoyer la surface de la baignoire avec un détergent liquide et de l'eau chaude. **Ne pas utiliser des nettoyeurs abrasifs**, car ils pourraient rayer et abîmer la surface de la baignoire. **N'utiliser d'agents nettoyeurs en poudre que si ceux-ci sont complètement dilués.** Des substances solides pourraient obstruer les jets d'air. **Ne pas utiliser de produits javélisants ou à base d'ammoniaque.** Les solutions de nettoyage à agents chimiques actifs peuvent endommager la surface de la baignoire. Se référer au guide du propriétaire pour les recommandations de nettoyage normal.
- Retirer les taches résistantes, peinture, ou goudron avec de l'essence de térébenthine ou un diluant pour peinture. **Ne pas laisser de liquide à base de pétrole en contact avec les surfaces de la baignoire pour de longues périodes.** Retirer les résidus de plâtre en raclant au moyen d'un bord en bois. Ne pas utiliser de grattoirs en métal, une brosse en fer ou d'autres outils en métal. Utiliser des nettoyeurs en poudre sur un chiffon humide pour une action abrasive douce sur les résidus de plâtre.



17. Utilisation du clavier

Les modes/fonctions disponibles sont allumés en bleu. Les modes actifs seront illuminés en vert.

Marche/arrêt	Met en marche/arrêt le moteur-souffleur.
Anneau extérieur	Tourner la bague extérieure pour accéder au mode désiré. Le mode sélectionné clignotera (en bleu).
OK	Active le mode désiré. Le mode sélectionné clignotera en vert.
Mode débit d'air	La circulation d'air est dirigée dans toute combinaison de jets d'air dans les zones sélectionnées. Régler le débit d'air avec les boutons à flèche. Lorsque le mode vague est sélectionné, le débit d'air s'arrête. Quand le mode débit d'air est sélectionné sous le mode vague, ce dernier s'arrête.
Zone 1	Sélectionne ou désélectionne la circulation d'air dans la Zone 1.
Zone 2	Sélectionne ou désélectionne la circulation d'air dans la Zone 2.
Zone 3	Sélectionne ou désélectionne la circulation d'air dans la Zone 3.
Mode vague	Lorsqu'il est activé, le débit d'air fluctue du minimum au maximum puis à nouveau au minimum. Régler la vitesse d'intensification entre 10 et 60 secondes en utilisant les boutons vers le haut ou le bas. Sélectionner ou désélectionner les zones en mode d'intensification.
Flèche haut	Augmente le débit d'air lorsque le mode débit d'air est activé. Augmente la vitesse de pulsation quand le mode est activé.
Barre indicatrice	Indique le volume du débit d'air lors du fonctionnement en mode débit d'air. Indique la vitesse de pulsation en opération sous mode augmentation.
Flèche bas	Diminue le débit d'air lorsque le mode débit d'air est activé. Diminue la vitesse de pulsation quand le mode vague est activé.
Cycle de chromathérapie	Faire tourner la bague extérieure pour choisir ce mode, puis appuyer sur OK. Les lumières de chromathérapie s'illumineront automatiquement et de manière continue en passant par un cycle de huit couleurs. Un cycle des huit couleurs dure à peu près une minute. Seulement l'un des deux claviers commande ce mode.
Mode purge	Sélectionner manuellement afin d'amorcer le mode purge. Le cycle de purge ne démarrera pas si il y a présence d'eau dans la baignoire. Le mode de purge évacue toute eau résiduelle du faisceau d'air. Le moteur-souffleur démarre et fonctionne à vitesse lente pendant à peu près deux minutes. Un cycle de purge automatique a lieu lorsque la baignoire est vidée et que le niveau d'eau baisse sous le niveau des détecteurs.
Couleur spécifique de chromathérapie	Tourner la bague extérieure pour sélectionner ce mode. Appuyer sur OK, puis appuyer sur la flèche vers le haut ou vers le bas pour sélectionner une couleur, puis appuyer de nouveau sur OK. Seulement l'un des deux claviers commande ce mode.
Mode Veille -	Pour améliorer votre expérience de bain, le clavier est programmé pour s'éteindre après environ 15 secondes d'inactivation. Seule la dernière option sélectionnée restera allumée. Pour redémarrer une commande, presser une touche quelconque ou tourner la bague extérieure. Dans un espace de 60 secondes environ après que tout l'équipement se soit arrêté, le clavier s'assombrit pour conserver l'énergie. Presser le bouton marche ou tourner la bague extérieure pour réactiver le clavier.

Utilisation du clavier (cont.)

Guía de instalación

Bañera con jets de aire

Información importante



ADVERTENCIA: Al usar aparatos eléctricos, siga siempre las precauciones básicas, incluyendo las siguientes:



PELIGRO: Riesgo de descarga eléctrica. Para reducir el riesgo de descarga eléctrica, sólo conecte a circuitos correctamente conectados a tierra protegidos por un interruptor de circuito con pérdida a tierra (GFCI) o un dispositivo de corriente residual (RCD).



ADVERTENCIA: Riesgo de descarga eléctrica. Un electricista calificado debe realizar todas las conexiones eléctricas.



ADVERTENCIA: Riesgo de descarga eléctrica. Desconecte el suministro eléctrico antes de dar servicio.

AVISO: Cumpla con todos los códigos locales de electricidad y de plomería.

La conexión a tierra es un requisito. Un representante de servicio autorizado debe instalar esta unidad y conectarla a tierra.

El material de construcción y el cableado se deben colocar lejos del cuerpo del soplador y de otros componentes que produzcan calor.

Instale la unidad de manera que se permita el acceso para darle servicio.

El compartimento de cables incluye un conector de presión para la conexión a tierra identificado por las palabras "Earth/Ground". Para reducir el riesgo de descarga eléctrica, conecte este conector al terminal de tierra de su tablero eléctrico o panel de suministro eléctrico con un cable de cobre del mismo tamaño que los conductores del circuito que alimentan este equipo.

Esta unidad incluye conectores de presión en la parte exterior de la caja de empalmes o control para permitir la conexión de un conductor de conexión a tierra entre este producto y cualquier metal expuesto en las proximidades de la unidad, tal como lo requieren las normas locales.

Requisitos eléctricos

NOTA: Si el cable de alimentación está dañado, debe ser reemplazado por el fabricante, su agente de servicio o personas igualmente calificadas para así evitar un peligro.

La instalación debe contar con un interruptor de circuito con pérdida a tierra (GFCI) de Clase A o dispositivo de corriente residual (RCD). El GFCI o RCD protege contra el peligro de descarga eléctrica de línea a tierra. **Utilice un circuito dedicado de 220-240 V, 15 A, 50/60 Hz para la bañera con jets de aire.**

El compartimento de cables tiene un terminal de conexión a tierra para el equipo. Para reducir el riesgo de descarga eléctrica, este terminal se debe conectar a la conexión de tierra provista en el panel de suministro eléctrico con un conductor del mismo tamaño que los conductores del circuito que alimentan este equipo.

Instale la unidad conforme al Código Eléctrico Canadiense, Parte I.

Avisos sobre el producto



ADVERTENCIA: Riesgo de daños personales o a la propiedad. Las modificaciones no autorizadas pueden causar el funcionamiento peligroso o afectar el rendimiento de la bañera con jets de aire. No cambie la ubicación del motor soplador, ni haga ninguna otra modificación en el sistema de la bañera si no dispone de un kit u otras instrucciones publicadas, pues esto podría perjudicar el

Información importante (cont.)

rendimiento y funcionamiento seguro del producto. Kohler Co. no se hace responsable bajo esta garantía o de ninguna otra forma, de las lesiones personales o los daños provocados por modificaciones no autorizadas. Consulte la sección "Antes de comenzar" para conocer las recomendaciones y los requisitos de cambio de ubicación del motor soplador así como la información tratada en cada sección.

AVISO: Mantenga limpia el área alrededor del motor soplador. Asegúrese de que el área alrededor del motor soplador no tenga aserrín, material aislante, suciedad u otras partículas sueltas. Estos materiales podrían tapan los conductos de aire del motor soplador, reduciendo el flujo de aire a través del soplador.

Componentes ensamblados en fábrica

Los componentes ensamblados en fábrica incluyen el motor soplador, tubería de aire, control, válvula de retención, válvulas de mariposa, luces de cromoterapia (si se incluyen), arnés eléctrico y teclado iluminado. Aparte del cableado del suministro eléctrico y la instalación de plomería, no es necesario realizar ningún tipo de montaje.

Acceso de servicio y a las conexiones

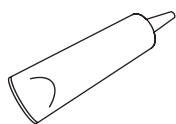
AVISO: Provea acceso sin restricciones para dar servicio al motor soplador. Se debe facilitar el acceso para el mantenimiento del motor soplador y los controles. El acceso debe situarse justo al lado del motor soplador. Consulte el diagrama de instalación incluido con la bañera con jets de aire.

Antes de instalar, asegúrese de que el acceso al motor soplador y a las conexiones finales sea adecuado. Si el motor soplador se ha instalado en un área cerrada, es necesario instalar un panel de acceso para el mismo. Este panel debe tener como por lo menos 34" (86,4 cm) de ancho y 15" (38,1 cm) de alto.

Contenido

Información importante	1
Herramientas y materiales	3
Antes de comenzar	3
Prepare el sitio - Construcción de madera	6
Prepare el sitio - Construcción de concreto	7
Prepare la bañera	7
Instale la bañera con jets de aire	8
Corte las cintas del soplador	9
Instale la plomería	9
Realice las conexiones eléctricas - Estándar	10
Retire el motor soplador y la válvula de retención - A distancia	11
Monte el motor soplador y la válvula de retención - A distancia	12
Termine el cable eléctrico del soplador - A distancia	13
Instale el cable eléctrico del soplador al control - A distancia	15
Realice las conexiones eléctricas del suministro - A distancia	16
Pruebe el funcionamiento de la bañera con jets de aire	17
Termine la cubierta/pared acabada	19
Termine la instalación de concreto	19
Limpieza después de la instalación	19
Uso del teclado	20

Herramientas y materiales



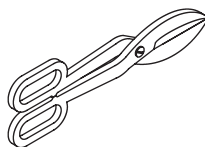
Sellador de silicona



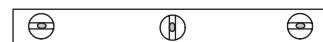
Cinta para medir



Lápiz



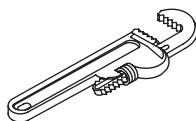
Tijeras para chapa



Nivel



Lentes de seguridad



Llave para tubo

Más:

- Herramientas y materiales convencionales para instalar la madera y el concreto
- Lona para el piso
- Cuñas de metal
- Postes de 2x4

Antes de comenzar



ADVERTENCIA: Riesgo de lesiones personales. Esta bañera de hierro fundido es sumamente pesada. Obtenga suficiente ayuda para levantarla y desplazarla con cuidado.



PRECAUCIÓN: Riesgo de daños al producto. No levante la bañera por el arnés de tubos o el motor soplador, ni los utilice como soporte estructural de la bañera.

NOTA: Esta bañera permite que el motor soplador y la válvula de retención permanezcan en la tabla de soporte de la bañera (instalación estándar) del envío o se instalen en otro lugar (instalación a distancia). Consulte las secciones, identificadas como "estándar" o "a distancia", en esta guía de instalación para su instalación en particular.

Para instalaciones estándar y a distancia

Antes de comenzar (cont.)

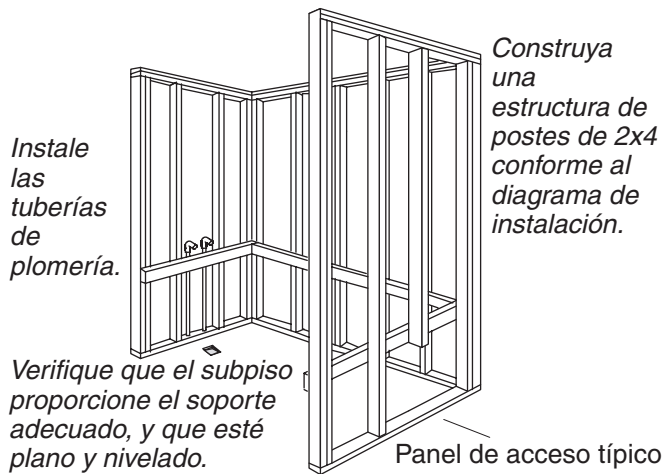
- Por favor lea atentamente estas instrucciones de instalación, funcionamiento y seguridad para familiarizarse con la secuencia de instalación, las herramientas y los materiales necesarios. Siga las secciones correspondientes a su instalación en particular. Esto le ayudará a evitar errores costosos.
- La variedad de instalaciones posibles de esta bañera, puede requerir otros procedimientos de construcción de estructura de soporte no descritos en este manual.
- Confirme que haya suficiente espacio para montar y conectar la grifería especificada para su instalación.
- Recomendamos este producto para una instalación de sobreponer o encajonada entre tres paredes.
- Verifique que la bañera no esté dañada antes de iniciar la instalación.
- Es necesario instalar la bañera en un subpiso nivelado y con suficiente soporte.

Para instalaciones a distancia

- Al montar el motor soplador y la válvula de retención en un lugar a distancia, elija un espacio lo más cerca posible a la bañera para aumentar al máximo el rendimiento de la bañera. Preste atención a los siguientes requisitos y recomendaciones:
 - El motor soplador debe estar montado horizontalmente a por lo menos 1-1/2" (3,8 cm) arriba del piso. No monte el motor soplador con la salida apuntando hacia arriba.
 - Se debe utilizar tubería PVC de 1-1/2" o equivalente.
 - La instalación de los tubos debe cumplir con los requisitos de los códigos locales de plomería o construcción. Asegúrese de que la instalación no reduzca la resistencia al fuego de ninguna de las paredes. Los tubos deben estar soportados, a intervalos, a lo largo de la longitud conforme a los códigos locales.
 - Asegúrese de que el lugar donde se coloque el motor soplador esté limpio y no tenga polvo o restos de suciedad.
 - Si resulta apropiado, instale un panel de acceso adicional para el mantenimiento del motor soplador.
 - El cable de alimentación calibre 18 AWG, como mínimo, para el motor soplador debe cumplir con los requisitos de los códigos de electricidad o construcción pertinentes. Asegúrese de que la instalación no reduzca la resistencia al fuego de ninguna de las paredes.
 - El cable de alimentación debe estar soportado, a intervalos, a lo largo de la longitud conforme a los códigos locales. Los cables eléctricos no deben descansar en superficies ni pisos sujetos a inundación.
 - Todo el material necesario para cambiar el lugar de instalación debe ser provisto por el instalador.
- Herramientas y materiales adicionales:
 - Pinzas de electricista.
 - Destornilladores surtidos.
 - Llave ajustable.
 - Taladro y brocas para instalar los herrajes de montaje del soplador.
 - Cable con revestimiento no metálico de calibre 18 AWG, dos conductores conectados a tierra, con clips de soporte, según sea necesario.
 - Una caja de empalmes de 4" (10,2 cm) x 2" (5,1 cm) con tapa, empaque y tornillos de fijación.
 - Tres protectores contra tirones. Uno debe entrar en la tapa del motor soplador con roscas NPT (National Pipe Thread) estándar. Los otros dos deben entrar en los orificios de la caja de empalmes nueva.
 - Seis conectores de cable (tuercas para cable o equivalente).
 - 1-1/2" PVC u otro tubo rígido con: conectores, uniones, cemento de PVC (o método de fijación equivalente), clips de soporte, según se requiera.
 - Cuatro herrajes (como tornillos de cabeza plana para madera o anclajes para concreto) para montar el motor soplador.
 - Cable de puesta a tierra calibre 8 de cobre, 36" (91,4 cm).

Antes de comenzar (cont.)

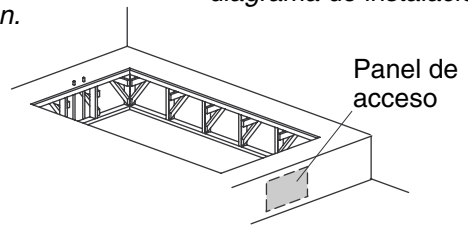
- Kohler Co. se reserva el derecho de modificar el diseño de los productos sin previo aviso, tal como se especifica en la lista de precios.



Construya una estructura de postes de 2x4 conforme al diagrama de instalación.

Construya una estructura de postes de 2x4 2x6, conforme al diagrama de instalación.

Coloque las tuberías de plomería.



Construya la estructura del piso conforme al diagrama de instalación.

Verifique que el subpiso proporcione suficiente soporte y que esté plano y nivelado.

1. Prepare el sitio - Construcción de madera

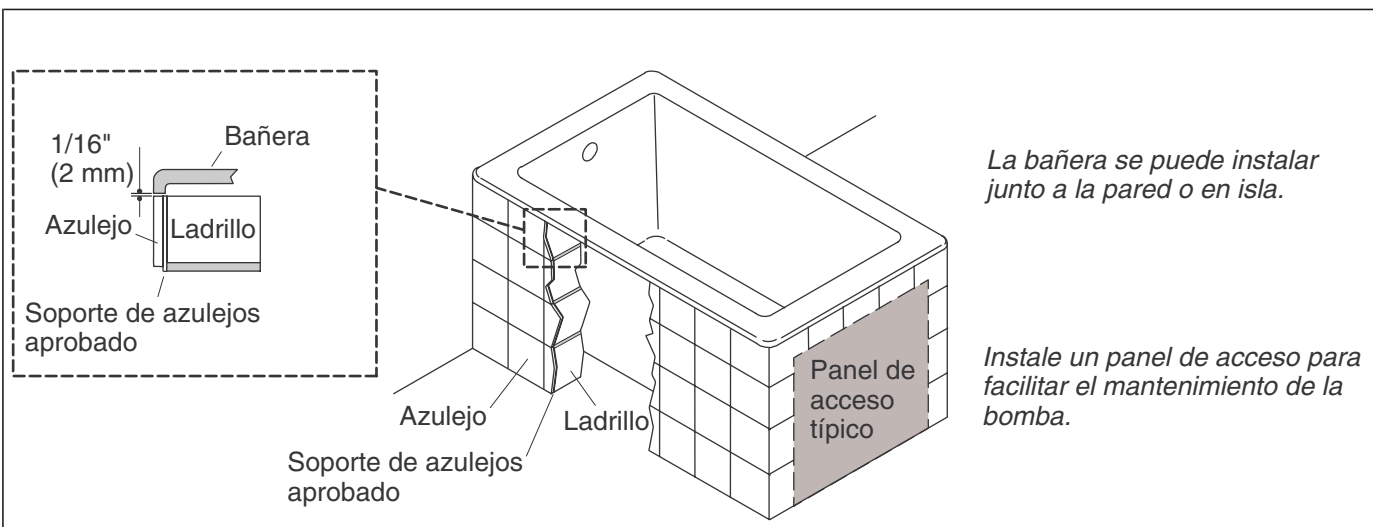


PRECAUCIÓN: Riesgo de daños a la propiedad. No apoye la bañera por los bordes.

AVISO: Se debe proveer el soporte de piso adecuado. Consulte el diagrama de instalación provisto con su bañera para obtener los requisitos de carga específicos para el piso.

AVISO: Proporcione una ventilación adecuada y un espacio mínimo de 15 pies cúbicos (0,4 metros cúbicos) en el lugar de instalación para enfriamiento del motor y suministrar suficiente aire al soplador. No instale el motor soplador a menos de 1" (2,5 cm) de distancia de la pared u otros objetos.

- Verifique que el piso proporcione el soporte adecuado para su bañera y que el subpiso esté plano y nivelado.
- Esta bañera puede montarse en una instalación de sobreponer o encajonada entre tres paredes. Construya una estructura de postes de 2x4 para su instalación en particular. Construya la estructura del piso o construya una estructura para una instalación elevada, conforme a la información contenida en el diagrama de instalación.
- Provea un panel de acceso para dar servicio al motor soplador y el control.
- Coloque las tuberías según el diagrama de instalación. Tape los suministros y verifique que no haya fugas.



2. Prepare el sitio - Construcción de concreto



PRECAUCIÓN: Riesgo de daños a la propiedad. No apoye la bañera por los bordes.

AVISO: Se debe proveer el soporte de piso adecuado. Consulte el diagrama de instalación provisto con su bañera para obtener los requisitos de carga específicos para el piso.

AVISO: Proporcione una ventilación adecuada y un espacio mínimo de 15 pies cúbicos (0,4 metros cúbicos) en el lugar de instalación para enfriamiento del motor y suministrar suficiente aire al soplador. No instale el motor soplador a menos de 1" (2,5 cm) de distancia de la pared u otros objetos.

NOTA: Esta bañera puede instalarse en una instalación de sobreponer o en isla. La instalación en isla requiere una estructura circundante por los cuatro lados. En ambos casos, verifique que la cubierta esté soportada por ladrillos o concreto.

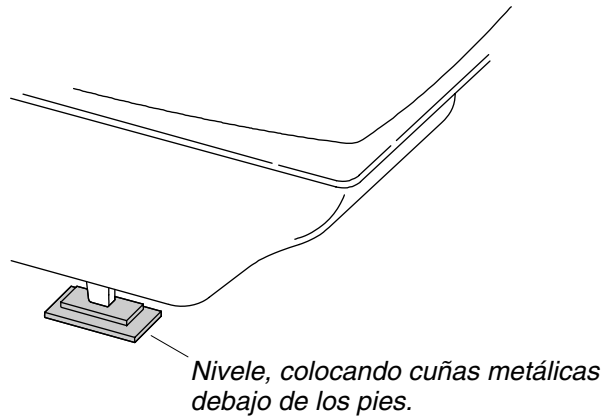
- Verifique que el piso proporcione el soporte adecuado para su bañera y que el subpiso esté plano y nivelado.
- Provea un panel de acceso para dar servicio al motor soplador y el control.
- Construya soportes de ladrillo o concreto.
- Deje una separación de 1/16" (2 mm) entre el borde de la bañera y la estructura de concreto o ladrillo. Construya la estructura del piso o construya una estructura para una instalación elevada, conforme a la información contenida en el diagrama de instalación.
- Instale las tuberías de plomería según el diagrama de instalación provisto. Tape los suministros y verifique que no haya fugas.

3. Prepare la bañera

- Coloque una lona gruesa y limpia o un material similar en el fondo de la bañera para proteger el acabado. Asegúrese de cubrir los jets de aire. Tenga cuidado de no rayar la superficie de la bañera.

NOTA: Esta bañera permite que el motor soplador y la válvula de retención permanezcan en la tabla de soporte de la bañera (instalación estándar) del envío o se instalen en otro lugar (instalación a distancia). Consulte las secciones correspondientes a su tipo de instalación, estándar o a distancia, en esta guía de instalación.

- Recomendamos utilizar tiras selladoras en este producto, si uno o más lados de la bañera tendrán contacto con la pared. La tira selladora impide que el agua se filtre entre el borde de la bañera y la pared. Siga las instrucciones incluidas con la tira selladora, e instale la tira en este momento.
- Siga los pasos de instalación adecuados ya sea para la instalación estándar o de soplador a distancia.



4. Instale la bañera con jets de aire



ADVERTENCIA: Riesgo de lesiones personales. Esta bañera de hierro fundido es sumamente pesada. Obtenga suficiente ayuda para levantarla y desplazarla con cuidado.

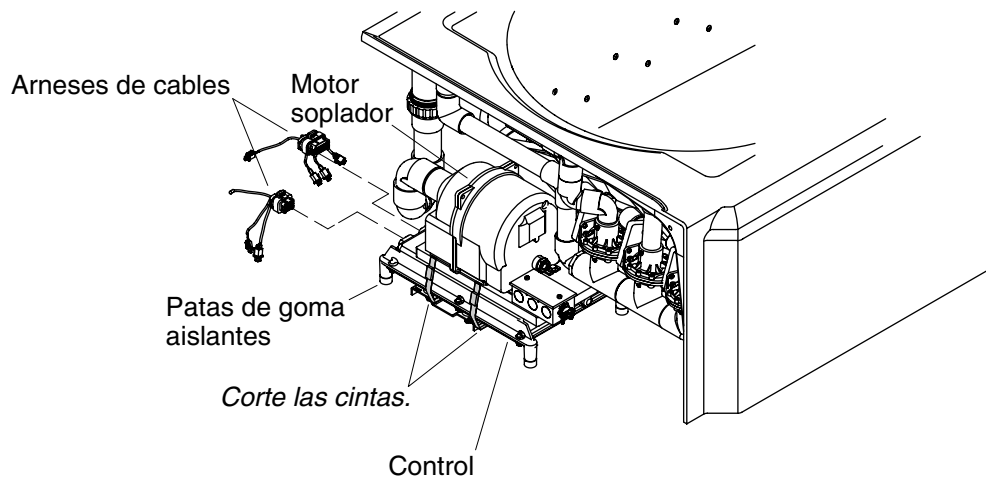


PRECAUCIÓN: Riesgo de daños al producto. No levante la bañera por el arnés de tubos o el soplador, ni utilice el arnés o el soplado como soporte estructural de la bañera.



PRECAUCIÓN: Riesgo de daños al producto. No apoye la bañera por los bordes.

- Instale el desagüe en la bañera según las instrucciones del fabricante. Aún no conecte la trampa.
- Con cuidado coloque la bañera en su lugar. Inserte el tubo final en la trampa.
- De ser necesario, nivele la bañera colocando cuñas metálicas debajo de los pies. Verifique que el lado superior de la bañera y el lado del desagüe estén a nivel. Si no se tiene acceso a las patas desde atrás o desde el lado, mueva la bañera hacia adentro y hacia afuera hasta que esté acuada apropiadamente. Verifique que la bañera esté apoyada sobre las cuatro patas.



5. Corte las cintas del soplador

¡IMPORTANTE! Este paso es necesario para que su bañera Kohler funcione más silenciosamente.

- Utilice unas tijeras para chapa para cortar las dos cintas del soplador.
- Para minimizar el ruido y la vibración, asegúrese de que el soplador no esté en contacto directo con el soporte de transporte una vez cortadas las cintas. El control del soporte contiene patas de goma aislantes para reducir el ruido del soplador.

6. Instale la plomería



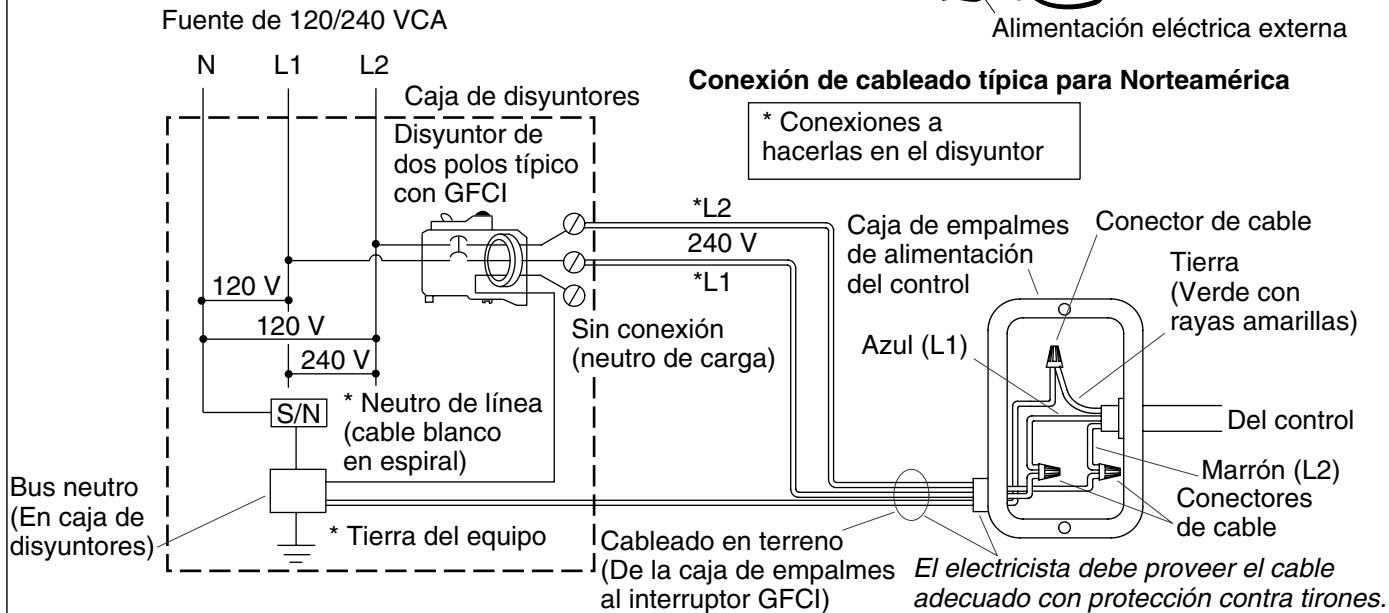
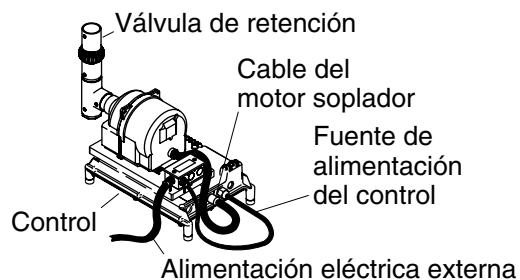
PRECAUCIÓN: Riesgo de daños a la propiedad. Debe existir un sello hermético en todas las conexiones del desagüe de la bañera. Este sello hermético evitará daños a la propiedad.

- Conecte el desagüe a la trampa según las instrucciones del fabricante del desagüe.

NOTA: Para simplificar el mantenimiento futuro, provea el acceso a todas las conexiones de plomería.

- Instale la válvula de la grifería según las instrucciones del fabricante de la grifería. No instale la guarnición de la grifería hasta que se le indique. Abra los suministros del agua caliente y fría, y compruebe que no haya fugas en las conexiones de suministro.
- Deje que el agua fluya en la bañera, y verifique que no haya fugas en las conexiones de desagüe.

Conecte conforme a los códigos nacionales y locales.
Las lengüetas abiertas de conexión a tierra se encuentran en la parte superior de la caja de empalmes.



7. Realice las conexiones eléctricas - Estándar

NOTA: El número de modelo está impreso en una etiqueta ubicada del lado del soplador de la bañera. Esta etiqueta identifica la capacidad nominal eléctrica del producto. Todas las bañeras están equipadas con una caja de empalmes y están diseñadas para funcionar entre 220 VCA y 240 VCA a 50 Hz o 60 Hz.



ADVERTENCIA: Riesgo de descarga eléctrica. Asegúrese de desconectar la corriente eléctrica antes de realizar el siguiente procedimiento. Consulte la sección "Información importante".



ADVERTENCIA: Riesgo de descarga eléctrica. Para reducir el riesgo de descarga eléctrica, conecte el soplador a interruptor de circuito con pérdida a tierra (GFCI) o un dispositivo de corriente residual (RCD). Esto servirá de protección adicional contra el peligro de descarga eléctrica de línea a tierra. Se requiere un circuito dedicado de 220-240 V, 15 A, 50/60 Hz.

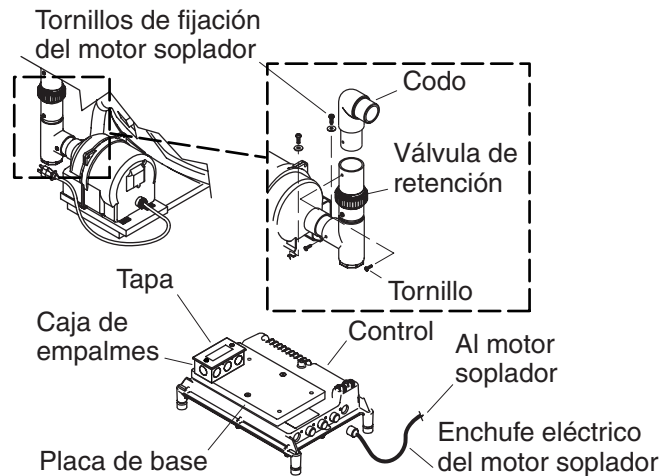
AVISO: El diodo emisor de luz **neutro de carga** no se usa. No debe haber conexión al terminal **neutro de carga** en el interruptor de circuito con pérdida a tierra (GFCI) o el dispositivo de corriente residual (RCD). El cable verde con raya amarilla es la **tierra del equipo** y es necesario conectarlo al bus neutro de la caja principal de circuitos eléctricos.

AVISO: El cableado del sistema y el control de la bañera se ha realizado en la fábrica. Un electricista calificado debe realizar las conexiones eléctricas a la caja de empalmes.

- Conecte la corriente eléctrica a la caja de empalmes del control. La caja de empalmes tiene cables de color azul, marrón y verde con una raya amarilla. Cumpla con todos los códigos eléctricos locales. Conecte conforme a los códigos nacionales y locales.

NOTA: El cableado del arnés de cables se ha realizado en la fábrica. No es necesario realizar ningún cableado adicional, pero asegúrese de que todos los cables se hayan afianzado bien.

NOTA: El arnés de cables incluye una antena para el control remoto opcional. No modifique ni dañe la antena durante la instalación.



8. Retire el motor soplador y la válvula de retención - A distancia

AVISO: Esta sección sólo aplica a las instalaciones en las que el motor soplador y la válvula de retención se cambian a un lugar de instalación diferente a la posición de transporte en la tabla de soporte.

AVISO: No corte el arnés (tubería) del soplador para esta instalación.

AVISO: Usted tiene que cambiar el lugar de instalación de la válvula de retención con el motor soplador.

Retire el motor soplador

- Desconecte el enchufe del motor soplador del control.
- Retire los sujetas cables que soportan el cable del motor soplador.
- Retire y guarde el tornillo de retención que sostiene el arnés del soplador en la salida del motor soplador.
- Retire y guarde los cuatro tornillos de fijación del motor de la placa base del adaptador del soplador.
- Sujete la T con una mano y al mismo tiempo, deslice sacando el motor soplador de la T.
- Saque el motor soplador de la bañera.

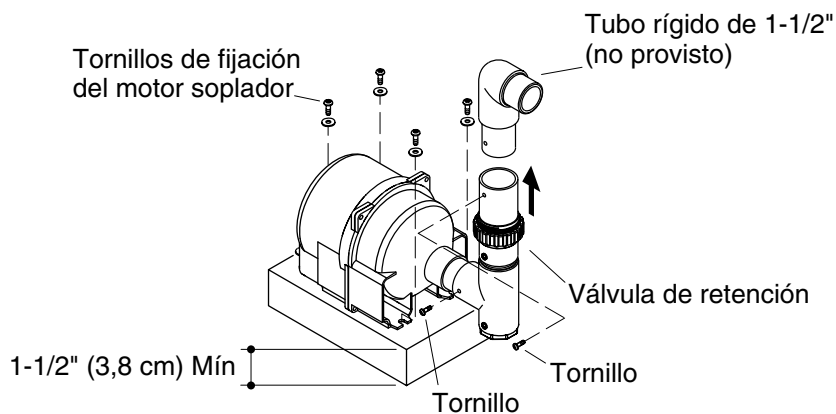
Desmunte la válvula de retención

- Retire y guarde el tornillo de retención superior de la válvula de retención.
- Extraiga de la bañera, la válvula de retención y el codo PVC que se encuentra conectado.

Prepare el sitio

NOTA: Consulte la sección "Antes de comenzar" para obtener requisitos detallados para cambiar la ubicación del motor soplador.

- Prepare el sitio donde se va a instalar el motor soplador. El sitio se debe ubicar dentro de 15' (4,5 m) de la bañera.
- Instale un panel de acceso para poder reparar el motor soplador, según corresponda.
- Según sea apropiado para la instalación, prepare el trazado de las tuberías PVC y del cable de alimentación nuevo del motor soplador. Cumpla con todos los códigos correspondientes.



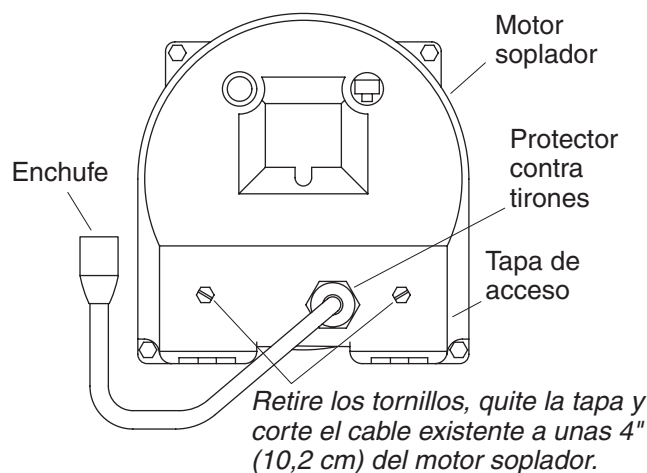
9. Monte el motor soplador y la válvula de retención - A distancia

NOTA: El motor soplador debe estar montado horizontalmente a 2" (5,1 cm) arriba del piso. No monte el motor soplador con la salida apuntando hacia arriba.

NOTA: Se debe cambiar el lugar de instalación de la válvula de retención con el motor soplador. En la nueva ubicación, la válvula de retención no debe estar a menos de 24" (61 cm) de altura por debajo del borde de la bañera. La válvula de retención debe estar a 12" (30,5 cm) del motor soplador. La válvula de retención debe estar orientada verticalmente con la flecha de flujo apuntando hacia arriba.

NOTA: Consulte la sección "Antes de comenzar" para otros requisitos detallados para cambiar la ubicación del motor soplador.

- En la nueva ubicación del motor soplador, instale un bloque alto (no provisto) de 1-1/2" (3,8 cm) mínimo para el soporte del motor soplador.
- Utilice el motor soplador como una plantilla para marcar la ubicación de los cuatros pernos de fijación o tornillos.
- Taladre cuatro orificios guía de 1/8" (3 mm) para los tornillos de fijación del motor soplador.
- Instale y soporte tuberías rígidas de PVC o de otro tipo (no provista) de 1-1/2" entre el lugar de instalación del motor soplador y las tuberías de aire de la bañera.
- Conecte las tuberías nuevas al equipo de aire existente sin modificarlo. Alinee la tubería nueva y fije la conexión con cemento para PVC. **Deje que el cemento para PVC se seque según las instrucciones del fabricante.**
- Conecte el montaje de la válvula de retención a los tubos nuevos. Alinee las tuberías nuevas con el montaje de la válvula de retención y perfore un orificio para el tornillo de fijación existente. Utilice sellador de silicona o equivalente en la conexión y vuelva a utilizar el tornillo que desatornilló anteriormente. Deje que el sellador se seque según las recomendaciones del fabricante.
- Aplique sellador de silicona o equivalente a la conexión inferior del montaje de la válvula de retención.
- Alinee el motor soplador con la conexión inferior del montaje de la válvula de retención. Coloque el motor sobre el bloque de soporte. Vuelva a instalar el tornillo de retención. Deje que el sellador se seque según las recomendaciones del fabricante.
- Fije el motor soplador al bloque de soporte nuevo con los tornillos de montaje de retención.



10. Termine el cable eléctrico del soplador - A distancia

Tienda el cable eléctrico del soplador

- Pase dos conductores con conexión a tierra calibre 18 AWG o cable eléctrico equivalente (no provisto) entre la bañera y el motor soplador. Cumpla con todos los códigos pertinentes de electricidad y de prevención de incendios. Asegúrese de que el forro del cable cumpla con los requisitos de los códigos pertinentes y que el cable esté soportado y protegido correctamente.

Prepare el soplador para la instalación a distancia

- Afloje la tuerca del protector contra tirones en el motor soplador. Empuje la tuerca en el cable para dejar espacio y así poder quitar la tapa.
- Desatornille los dos tornillos de la tapa de acceso por la parte posterior del motor soplador. Conforme afloje los tornillos, verifique periódicamente si la tapa se puede deslizar hacia atrás en el cable eléctrico.
- Una vez que la tapa esté suelta, utilice unas pinzas de electricista o equivalente para cortar el cable eléctrico a unos 4" (10,2 cm) del punto donde el cable desaparece dentro del alojamiento del motor soplador.
- Saque el extremo libre del cable eléctrico a través de la tapa, el inserto y la tuerca del protector contra tirones.
- Deseche la tuerca del protector contra tirones e inserto existentes.
- Vuelva a conectar el enchufe del motor soplador al control.
- Instale un protector contra tirones de rosca estándar NPT a la tapa del motor soplador.
- Guarde temporalmente los componentes desmontados en un lugar seguro.

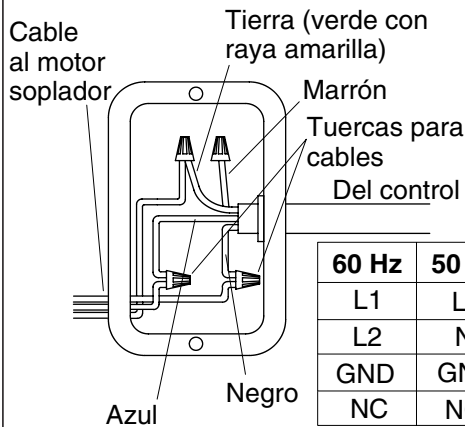
Termine el cable de eléctrico nuevo en el motor soplador

- Pele unos 3" (7,6 cm) del forro del cable en espiral de 4" (10,2 cm) del motor soplador.
- Con una tuerca para cable, tape el conductor marrón que no se utiliza en el forro del cable.
- Pele unos 2" (5,1 cm) del forro del cable de eléctrico del motor soplador recientemente instalado.
- Para las instalaciones en los Estados Unidos, marque los conductores blancos con cinta roja o negra como lo requiere el NEC.
- Pele el aislamiento de los cables unos 3/8" (1 cm) del cable en espiral del motor soplador y del cable eléctrico.
- Pase los hilos del nuevo cable eléctrico a través de la tapa de acceso del motor soplador y el protector contra tirones.
- Utilice tuercas para cables u otros métodos aprobados para terminar los conductores como sigue:

Termine el cable eléctrico del soplador - A distancia (cont.)

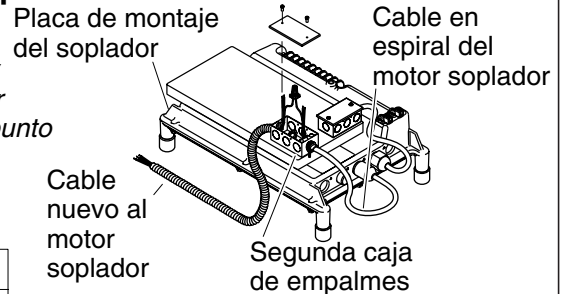
- Conecte el hilo negro del cable en espiral al conductor L1 del cable eléctrico.
 - Conecte el hilo azul del cable en espiral al conductor L2 del cable eléctrico.
 - Conecte el hilo verde con raya amarilla del cable en espiral al conductor de puesta a tierra del cable eléctrico.
-
- Con los dos tornillos, vuelva a instalar la tapa de acceso en el motor soplador.
 - Apriete el protector contra tirones en el cable eléctrico del motor soplador.
 - Elimine el polvo y la suciedad del área del motor soplador.

Segunda caja de empalmes



Caja de empalmes de alimentación del control

Pele unos 3 (7,6 cm) de las fundas del cable de terreno y del cable en espiral del motor soplador. Luego corte en el punto donde termina la funda del cuarto hilo marrón que no se utiliza.



60 Hz	50 Hz	Del control
L1	L1	Azul
L2	N	Negro
GND	GND	Verde con raya amarilla
NC	NC	Marrón

Pase el extremo cortado del cable a la caja de empalmes nueva. Añada un protector contra tirones. Instale una caja de empalmes con tapa y una lengüeta de conexión a tierra (no incluida).

11. Instale el cable eléctrico del soplador al control - A distancia

Instale la segunda caja de empalmes en el control

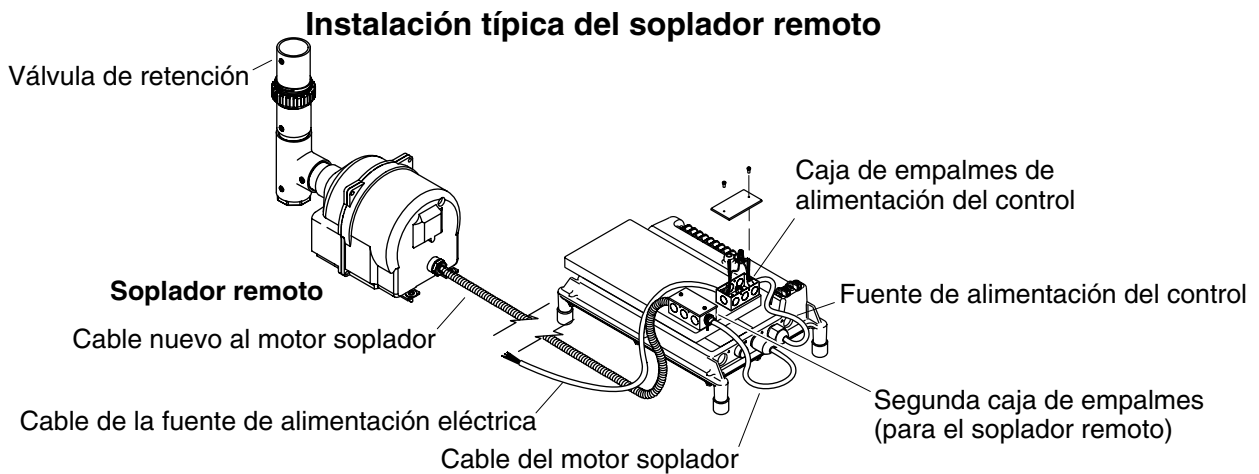
- Instale una segunda caja de empalmes con un lengüeta externa de conexión a tierra, dos protectores contra tirones y una tapa (no provista) en la placa de montaje del soplador en el control.
- Conecte un hilo de cobre calibre 8 de la lengüeta de conexión a tierra en la caja de empalmes nueva a la lengüeta de conexión no utilizada en el control. Cumpla con todos los códigos eléctricos locales.

Vuelva a conectar el cable eléctrico del motor soplador

- Si se requiere, vuelva a conectar el cable eléctrico del motor soplador en el control.
- Pase el cable eléctrico a través del protector contra tirones en la segunda caja de empalmes. Apriete el protector contra tirones.
- Pele unos 3" (7,6 cm) del forro del cable eléctrico en el extremo cortado.
- Con una tuerca para cable, tape el conductor marrón que no se utiliza en el forro del cable.
- Pele unos 3/8" (1 cm) del aislamiento de los cables restantes del control.

Termine el cable eléctrico nuevo

- Pase el cable eléctrico nuevo del soplador a través del otro protector contra tirones en la segunda caja de empalmes. Apriete el protector contra tirones.
- Pele unos 3" (7,6 cm) del forro del cable.
- Para las instalaciones en los Estados Unidos, marque los cables blancos con cinta aislante de color rojo o negro como lo requiere el NEC.
- Pele unos 3/8" (1 cm) del extremo de los cables.
- Utilice dispositivos aprobados de terminación para terminar los conductores como sigue:
 - Termine el hilo negro del cable en espiral al conductor L1 del cable eléctrico.
 - Termine el hilo azul del cable en espiral al conductor L2 del cable eléctrico.
 - Termine el hilo verde con raya amarilla del cable en espiral al conductor de puesta a tierra del cable eléctrico.
 - Termine el cable marrón con una tuerca para cable. El cable marrón no se usa.
- Instale la tapa en la nueva caja de empalmes.



12. Realice las conexiones eléctricas del suministro - A distancia



ADVERTENCIA: Riesgo de descarga eléctrica. Para reducir el riesgo de descarga eléctrica, conecte el control a un tomacorriente correctamente conectado a tierra protegido por un interruptor de circuito con pérdida a tierra (GFCI) o un dispositivo de corriente residual (RCD). Esto servirá de protección adicional contra el peligro de descarga eléctrica de línea a tierra. Se requiere un circuito dedicado de 220-240 V, 15 A, 50/60 Hz.



ADVERTENCIA: Riesgo de descarga eléctrica. Asegúrese de desconectar la corriente eléctrica antes de realizar el siguiente procedimiento.

NOTA: El número de modelo y la capacidad nominal eléctrica de la bañera está impresa en una etiqueta cerca del motor soplador.

- Asegúrese de que el cable de la fuente de alimentación del control se haya tendido correctamente en la caja de empalmes eléctricos. El cable de la fuente de alimentación del control tiene un hilo marrón (Línea 1), un hilo azul (Línea 2) y un hilo verde con una raya amarilla (puesta a tierra).
- Instale un protector contra tirones (no provisto) para el cable de la caja de empalmes de alimentación del control.
- Pase el cable de la fuente de alimentación a la caja de empalmes eléctricos.
- Pele el forro y el aislamiento de ambos cables para realizar las conexiones, según se requiera.
- Para las instalaciones en los Estados Unidos, marque los conductores blancos del cableado de la fuente de alimentación con cinta roja o negra como lo requiere el NEC.
- Conecte la corriente eléctrica a la caja de empalmes del control.
- Provea un conductor de tierra separado a la lengüeta de conexión a tierra no usada ubicada en la caja de empalmes de control. Este conductor **no debe** estar conectado a ningún conductor que porte corriente. Cumpla con todos los códigos eléctricos locales.
- Conecte conforme a los códigos nacionales y locales.
- Limpie el polvo y los restos de suciedad del área.
- El cableado de todos los arneses de cables se ha realizado en la fábrica. Asegúrese de que todos los cables estén bien apretados.

NOTA: El arnés de cables incluye una antena para el control remoto opcional. No modifique ni dañe la antena durante la instalación.

13. Pruebe el funcionamiento de la bañera con jets de aire

NOTA: Si la bañera no funciona correctamente, consulte la sección "para resolver problemas" de esta guía antes de llamar a un representante de servicio calificado.

NOTA: Para obtener información adicional acerca del funcionamiento de la bañera, consulte la sección "Haga funcionar el teclado".

Verificaciones preliminares

- Retire provisionalmente todos los paneles de acceso.
- Asegúrese de que el área alrededor del soplador no tenga aserrín, material aislante, suciedad u otras partículas sueltas.
- Verifique que la conexión de unión en la válvula de retención esté bien apretada a mano.
- Verifique que las conexiones del arnés de aire del soplador a las válvulas de mariposa estén correctamente conectadas y soportadas.
- Verifique que las tuberías de la válvula de retención a las válvulas de mariposa estén correctamente conectadas y soportadas.
- Asegúrese de que los sujetadores cables u otros clips soporten las tuberías de aire y el arnés eléctrico en la bañera.
- Asegúrese de que todos los conectores eléctricos no utilizados estén soportados arriba del piso.
- Revise todas las conexiones eléctricas. Verifique que esté conectada la energía eléctrica a la bañera.
- Asegúrese de que todas las conexiones de la tubería de aire estén apretadas.
- Verifique que las cintas del soplador estén cortadas y que el control del soplador descansa directamente sobre el subpiso. Asegúrese de que las patas aislantes de goma estén en su lugar.

Confirme el funcionamiento del soplador

- Retire la lona protectora de la bañera.
- Llene la bañera a un nivel de por lo menos 2" (5,1 cm) arriba del jet de aire más alto.
- Oprima el botón de encendido en el teclado.
- Observe que los iconos del teclado se iluminen. El icono del modo de flujo de aire y el icono del ciclo de cromoterapia (si se incluye) se iluminarán en verde. Los iconos de la Zona 1, Zona 2 y Zona 3 también están iluminados en verde puesto que las tres zonas están activadas.
- Observe que el motor soplador inicie su funcionamiento a velocidad media.
- Si están incluidas, verifique que las cuatro luces de cromoterapia estén iluminadas. Es posible que no sea evidente el cambio de colores puesto que el tiempo de ciclo puede ser bastante largo.

NOTA: El modo del ciclo de purga no se puede seleccionar mientras haya agua en la bañera.

- Gire el anillo externo a cada una de las posiciones de iconos disponibles.
- Al seleccionar cada icono para activar cada modo, verifique que el icono comience a parpadear en verde. Si el modo no está funcionando, la luz parpadeará en azul.
- Al cancelar la selección de cada icono, verifique que cada icono deje de parpadear.
- Seleccione y active el icono del modo de flujo de aire.
- Oprima el botón con flechas hacia arriba y abajo para verificar que el flujo de aire aumente o disminuya.
- Apague el soplador.
- Verifique que no haya fugas de agua en la bañera, en el desagüe de la bañera y en la tubería de aire.

Confirme el control de cada zona

Pruebe el funcionamiento de la bañera con jets de aire (cont.)

- Seleccione y desactive la Zona 1.
- Verifique que el aire deje de fluir en la zona correspondiente.
- Active la Zona 1.
- Repita este procedimiento con las Zonas 2 y 3.
- Verifique que no haya fugas en las conexiones de aire.

Confirme el funcionamiento del modo de barrido

NOTA: El modo de barrido hace que la velocidad del motor soplador cicle entre el valor mínimo y máximo, como se lo indica la barra indicadora en el teclado. Hay seis tiempos de ciclo disponibles que varían de unos 10 segundos a un minuto aproximadamente. En este modo, el tiempo de ciclo se puede controlar utilizando el botón hacia arriba o hacia abajo del teclado. El modo de barrido funcionará con cualquier zona o todas las zonas seleccionadas.

- Seleccione y active el modo de barrido.
- Verifique que el flujo de aire cicle entre el mínimo y máximo.
- Aumente o disminuya la velocidad del ciclo de barrido presionando los botones hacia arriba o hacia abajo.
- Oprima el botón de encendido en el teclado.

Haga funcionar el ciclo de cromoterapia (si está equipada)

- Gire el anillo externo al icono de cromoterapia, luego oprima OK. Las luces de cromoterapia cambian de color automática y continuamente a través del ciclo de ocho colores; blanco, violeta, azul índigo, azul agua, verde, amarillo, naranja y rojo. Un ciclo de ocho colores tarda aproximadamente un minuto.
- Oprima "OK" mientras está activado el modo de cromoterapia para apagar las luces de cromoterapia.
- Gire el anillo externo al icono del color específico de cromoterapia, luego oprima "OK". Utilice las flechas hacia arriba o hacia abajo para seleccionar el color deseado.
- Oprima "OK" otra vez para apagar las luces de cromoterapia.

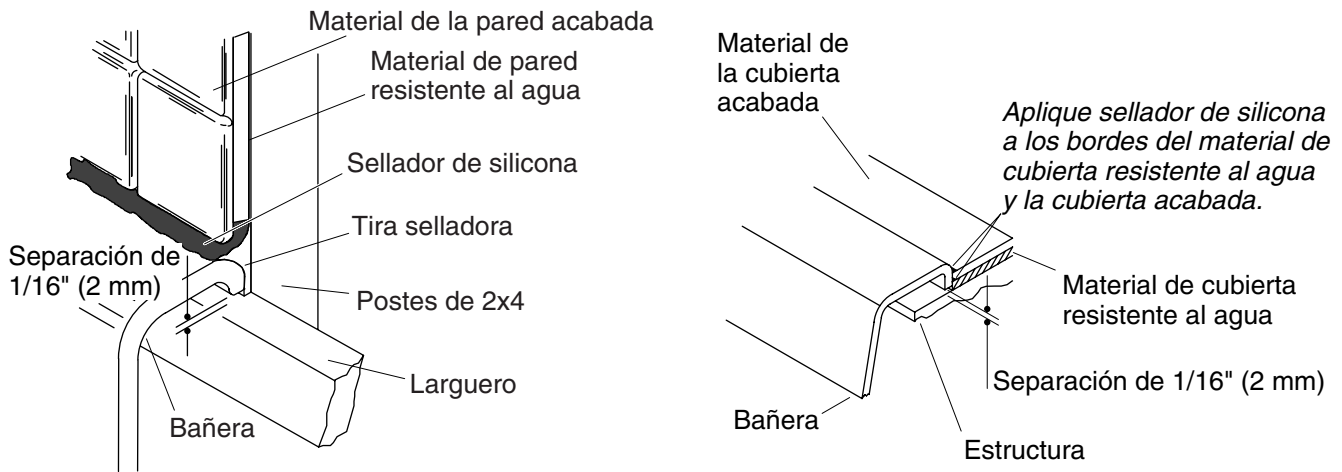
Haga funcionar el ciclo de purga automática

NOTA: El ciclo automático de purga ocurre una vez que la bañera se ha drenado. Funciona a baja velocidad durante unos dos minutos para eliminar el resto del agua de la tubería de aire.

- Si se requiere, llene la bañera a un nivel de por lo menos 2" (5,1 cm) arriba del jet de aire más alto.
- Drene la bañera.
- Cuando el nivel de agua desciende por debajo de las sondas detectoras del nivel, verifique que el soplador se ponga en funcionamiento a baja velocidad.
- Tras unos dos minutos, verifique que el motor soplador se detenga.

Haga funcionar el ciclo de purga manual

- Una vez drenada la bañera, gire el anillo externo al icono de ciclo de purga.
- Oprima el Icono "OK".
- Observe que el soplador inicie en el ciclo de purga. El agua residual soplará de la tubería de aire.
- Una vez que el soplador haya funcionado durante unos dos minutos, observe que se detenga.
- Coloque la lona protectora en la bañera.
- Apague el suministro eléctrico a la bañera.



14. Termine la cubierta/pared acabada

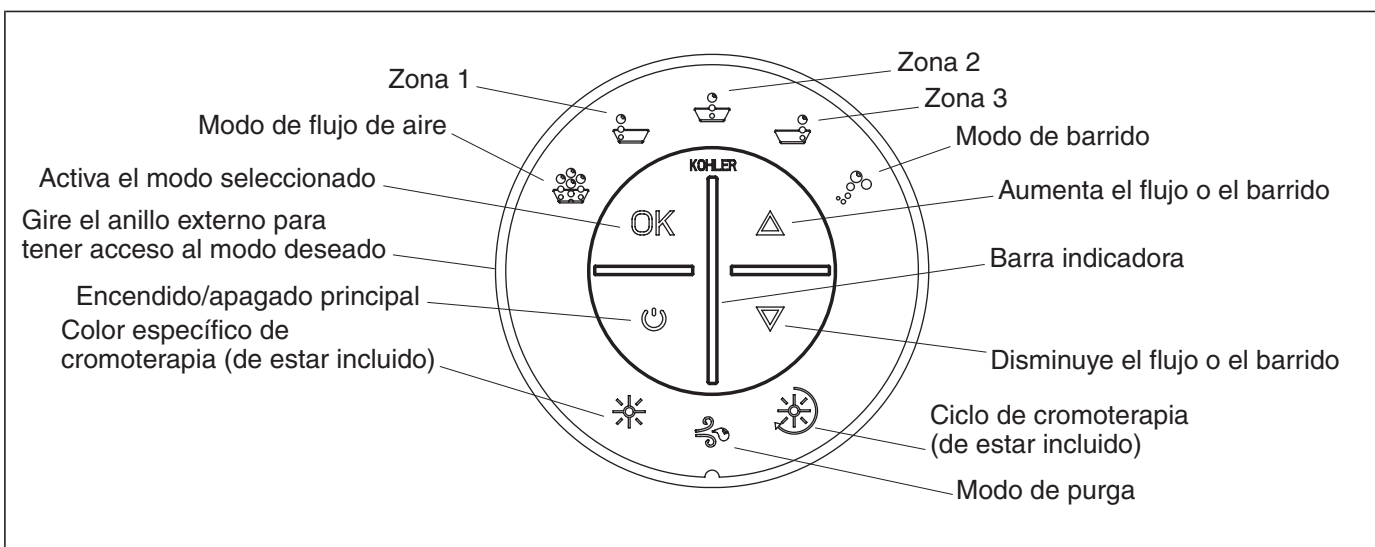
- Retire la cinta protectora del borde de la bañera con cuidado, si aún no lo ha hecho.
- Cubra la estructura con un material de cubierta/pared resistente al agua. Selle las juntas entre el filo del borde de la bañera y el material de pared/cubierta resistente al agua con sellador de silicona.
- Adhiera el material resistente al agua a la pared o cubierta con cinta y yeso. Instale la pared acabada/cubierta con el material resistente al agua para la pared/cubierta. Selle las juntas entre el borde de la bañera y el material de la pared/cubierta acabada con sellador de silicona.
- Instale la guarnición de la grifería conforme a las instrucciones incluidas con la guarnición.

15. Termine la instalación de concreto

- Retire la cinta protectora del borde de la bañera con cuidado, si aún no lo ha hecho.
- Aplique cemento de construcción y adhiera los azulejos a cualquier material de pared, cubierta y de estructura, según sea necesario.
- Aplique una tira de sellador en los lugares donde el azulejo entre en contacto con la superficie de la bañera.
- Instale la guarnición de la grifería conforme a las instrucciones incluidas con la guarnición.

16. Limpieza después de la instalación

- Limpie el polvo y restos de suciedad del área alrededor del motor soplador.
- Utilice agua tibia y un detergente líquido para limpiar la superficie de la bañera. **No utilice limpiadores abrasivos**, pues pueden rayar y opacar la superficie de la bañera. **No utilice productos de limpieza en polvo a menos que estén completamente disueltos en el agua.** Las sustancias sólidas podrían obstruir los jets de aire. **No utilice productos de limpieza que contengan cloro (lejía) o amoníaco.** Las soluciones de limpieza activas químicamente pueden dañar la superficie de la bañera. Consulte la guía del usuario para las recomendaciones de limpieza normal.
- Limpie las manchas difíciles de quitar, la pintura y el alquitrán con aguarrás o diluyente de pintura. **No permita que los productos de limpieza que contengan destilados de petróleo permanezcan en contacto con ninguna superficie de la bañera por un largo período de tiempo.** El yeso se puede eliminar raspando con un canto de madera. No utilice raspadores de metal, cepillos de alambre ni otras herramientas metálicas. Se puede utilizar un detergente en polvo con un trapo húmedo para proporcionar una acción abrasiva suave en los residuos de yeso.



17. Uso del teclado

Los modos/funciones disponibles se iluminarán en azul. Los modos activos se iluminarán en verde.

Encendido/apagado principal	Enciende y apaga el motor soplador.
Anillo externo	Gire el anillo externo al modo deseado. El modo seleccionado se encenderá de forma intermitente en azul.
OK	Activa el modo deseado. El modo activado se encenderá de forma intermitente en verde.
Modo de flujo de aire	El flujo de aire se dirige a través de algunos de los jets de aire en las zonas seleccionadas. Ajuste el flujo de aire con los botones de flecha. Cuando se selecciona el modo de barrido, el modo de flujo de aire se detiene. Cuando se selecciona el modo de flujo de aire y el modo de barrido está funcionando en ese momento, el modo de barrido se detiene.
Zona 1	Selecciona o cancela la selección del flujo de aire a través de la Zona 1.
Zona 2	Selecciona o cancela la selección del flujo de aire a través de la Zona 2.
Zona 3	Selecciona o cancela la selección del flujo de aire a través de la Zona 3.
Modo de barrido	Cuando está activado, el flujo de aire aumenta de mínimo a máximo y disminuye de nuevo al mínimo. Ajuste la velocidad de barrido entre 10 segundos a 60 segundos, mediante los botones con flechas hacia arriba y hacia abajo. Seleccione o cancele la selección de zonas en el modo de barrido.
Flecha hacia arriba	Aumenta el flujo de aire cuando el modo de flujo de aire está activado. Aumenta la velocidad de pulsación cuando el modo de barrido está activado.
Barra indicadora	Muestra el volumen del flujo de aire cuando funciona en el modo de flujo de aire. Muestra la velocidad de barrido cuando funciona en el modo de barrido.
Flecha hacia abajo	Disminuye el flujo de aire cuando el modo de flujo de aire está activado. Disminuye la velocidad de pulsación cuando el modo de barrido está activado.
Ciclo de cromoterapia	Para seleccionar este modo, gire el anillo externo, luego oprima OK. Las luces de cromoterapia cambian de color automática y continuamente en el ciclo de ocho colores. Un ciclo de ocho colores tarda aproximadamente un minuto. Sólo uno de los dos teclados controla este modo.
Modo de purga	Seleccione para iniciar manualmente el modo de purga. El ciclo de purga no comenzará a funcionar si hay agua en la bañera. El modo de purga expulsa el agua residual que pueda haber de la tubería de aire. El motor soplador arranca y continua funcionando a baja velocidad durante unos dos minutos. El ciclo automático de purga funciona cuando la bañera se vacía y el nivel de agua desciende por debajo de los sensores de nivel.
Color específico de cromoterapia	Gire el anillo externo para seleccionar este modo. Oprima OK, oprima la flecha hacia arriba o hacia abajo para seleccionar un color, luego oprima OK otra vez. Sólo uno de los dos teclados controla este modo.

Uso del teclado (cont.)

Modo en espera

A fin de aumentar el placer del baño, el teclado está programado para que se atenúe tras 15 segundos de inactividad. Solamente la última opción seleccionada permanecerá iluminada. Para continuar con el funcionamiento normal, oprima cualquier tecla o gire el anillo externo. Unos 60 segundos después de que todo el equipo se haya apagado, el teclado se oscurecerá por completo para conservar energía. Oprima el botón de encendido o gire el anillo externo para reactivar el teclado.

USA/Canada: 1-800-4KOHLER

México: 001-800-456-4537

kohler.com

THE BOLD LOOK
OF **KOHLER**®

©2010 Kohler Co.

1146828-2-A