

Features

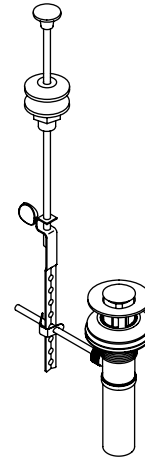
- 17-gauge brass construction
- Adjustable trip lever pop-up drain
- 1-1/2" connection
- Brass tailpiece

Codes/Standards Applicable

Specified model meets or exceeds the following:

- ASME A112.18.1/CSA B125.1
- IAPMO/UPC

POP-UP DRAIN
K-7126
ALSO K-7114



Colors/Finishes

- CP: Polished Chrome
- PB: Polished Brass
- Other: Refer to Price Book for additional colors/finishes

Specified Model

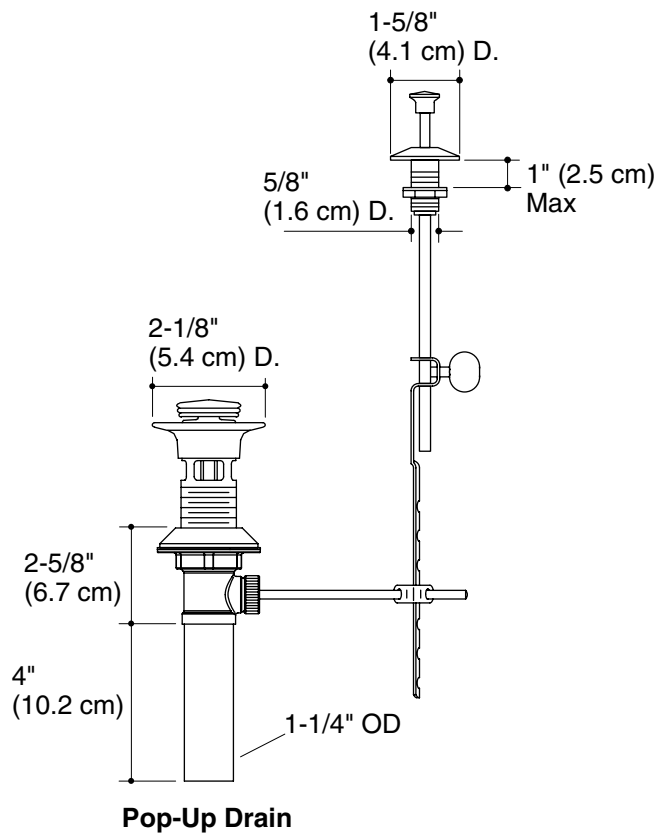
Model	Description	Colors/Finishes		
		<input type="checkbox"/> CP	<input type="checkbox"/> PB	<input type="checkbox"/> Other_____
K-7126	Lavatory pop-up drain, with overflow, lift rod, and escutcheon assembly (shown)	<input type="checkbox"/> CP	<input type="checkbox"/> PB	<input type="checkbox"/> Other_____
K-7114	Lavatory pop-up drain, without overflow, exposed	<input type="checkbox"/> CP	<input type="checkbox"/> PB	<input type="checkbox"/> Other_____
K-7114-A	Lavatory pop-up drain, with overflow, exposed	<input type="checkbox"/> CP	<input type="checkbox"/> PB	<input type="checkbox"/> Other_____

Product Specification

Lavatory drain shall be of 17-gauge brass construction. Drain includes an adjustable trip lever pop-up drain with 1-1/2" connection, and brass tailpiece. Drain shall be Kohler Model K-____-____-____.

Installation Notes

Install this product according to the installation guide.



Product Diagram