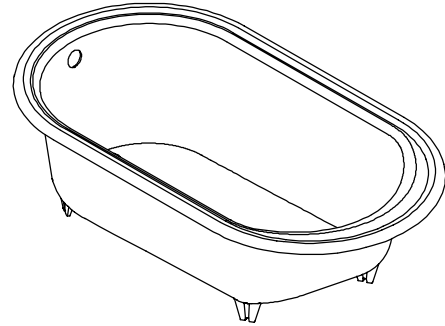


FEATURES

- 66" x 36" x 19-1/2"
- Self-rimming
- Cast iron with Safeguard® finish
- Optional K-1491 pillow



CODES/STANDARDS APPLICABLE

Specified model meets or exceeds the following:

- ASME/ANSI A112.19.1M
- IAPMO/UPC

COLORS/FINISHES

- 0 White
- Other Refer to Fixtures Price Book for additional colors

Accessories:

- CP Polished Chrome
- PB Polished Brass
- Other Refer to Faucets Price Book for additional finishes

SPECIFIED MODEL:

Model	Description	Colors/Finishes		
K-711	Iron Works™ Bath	<input type="checkbox"/> 0 White	<input type="checkbox"/> Other_____	
Recommended Accessories				
K-7103	Drain	<input type="checkbox"/> CP	<input type="checkbox"/> PB	<input type="checkbox"/> Other_____
Optional Accessories				
K-1172	Adjustable feet			<input type="checkbox"/> NA
K-1491	Pillow	<input type="checkbox"/> 0 White	<input type="checkbox"/> Other_____	

PRODUCT SPECIFICATION:

The self-rimming bath shall be 66" in length, 36" in width, and 19-1/4" in height. Bath shall be made of cast iron with Safeguard® finish. Bath shall have optional K-1491 pillow. Bath shall be Kohler Model K-711-_____.

IRON WORKS™ BATH

PRODUCT INFORMATION

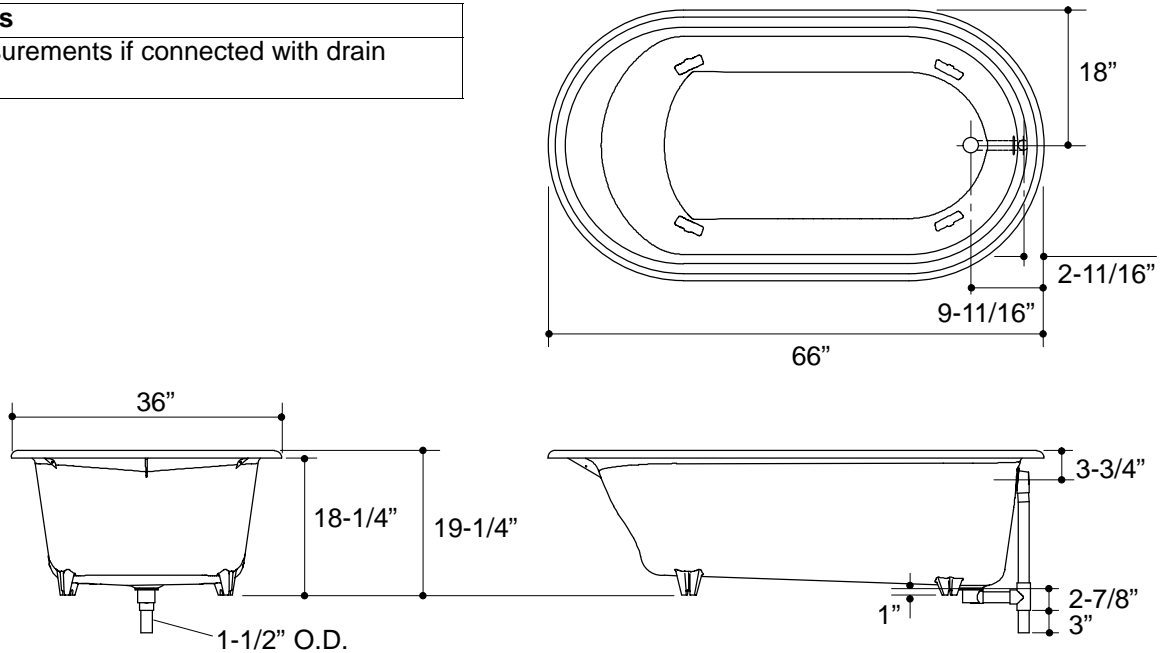
Fixture*:	basin area	top area	weight
Bathing well	47-1/2" x 25"	55" x 29"	375 lbs.
	water depth	capacity	
To overflow	12-5/8"	64 gals.	
* Approximate measurements for comparison only.			
Included Components:			
Cutout template	88051-7		

INSTALLATION NOTES

NOTICE: Unless otherwise specified, floor support under bath must provide for a minimum of 80 lbs./square foot loading.

Roughing-In Notes

No change in measurements if connected with drain illustrated.



1.25>132

PRODUCT DIAGRAM