

Features

- Out-of-plumb adjustability allows for easy installation
- Coated glass for easy cleaning
- 3/8" (10 mm) or 1/2" (12 mm) glass side lite and strike lite options [hinge lite always 1/2" (12 mm)]
- Stainless steel/brass fasteners prevent rusting or corrosion
- Requires hardware kits combined with a handle model and glass model
- Coordinates with the Finial Suite when handle kit K-705769 is purchased

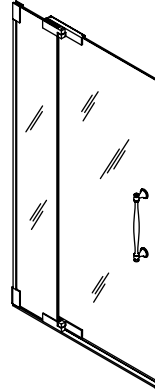
Codes/Standards Applicable

Specified model meets or exceeds the following:

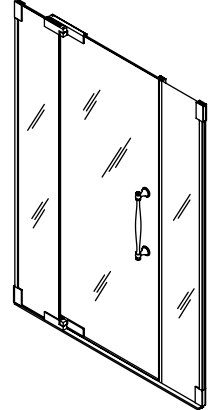
- ANSI Z97.1 (tempered glass)
- CPSC 16CFR 1201 CAT II

PIVOT SHOWER DOOR K-705724

ALSO K-705725 – K-705729,
K-705736 – K-705741



K-705724-L through K-705728-L,
K-705736-L through K-705740-L



K-705729-L
K-705741-L

Glass Options

- L: Clear

Frame Finishes/Colors

- SHP: Polished Silver
- NX: Brushed Nickel
- BH: Bright Brass
- ABV: Brushed Bronze

Specified Model

Model	Glass Side Lite Quantity	Glass Model(s)	Hardware Model	Opening Width	Glass Thickness	Frame Finishes/Colors			
K-705724-L	1	K-705748	K-705763	30-1/4" (76.8 cm) - 32-3/4" (83.2 cm)	3/8" (10 mm)	<input type="checkbox"/> SHP	<input type="checkbox"/> NX	<input type="checkbox"/> BH	<input type="checkbox"/> ABV
K-705725-L	1	K-705749	K-705763	33-1/4" (84.5 cm) - 35-3/4" (90.8 cm)	3/8" (10 mm)	<input type="checkbox"/> SHP	<input type="checkbox"/> NX	<input type="checkbox"/> BH	<input type="checkbox"/> ABV
K-705726-L	1	K-705750	K-705763	36-1/4" (92.1 cm) - 38-3/4" (98.4 cm)	3/8" (10 mm)	<input type="checkbox"/> SHP	<input type="checkbox"/> NX	<input type="checkbox"/> BH	<input type="checkbox"/> ABV
K-705727-L	1	K-705751 + K-705760	K-705763	39-1/4" (99.7 cm) - 41-3/4" (106 cm)	3/8" (10 mm)	<input type="checkbox"/> SHP	<input type="checkbox"/> NX	<input type="checkbox"/> BH	<input type="checkbox"/> ABV
K-705728-L	1	K-705752 + K-705753	K-705763	45-1/4" (114.9 cm) - 47-3/4" (121.3 cm)	3/8" (10 mm)	<input type="checkbox"/> SHP	<input type="checkbox"/> NX	<input type="checkbox"/> BH	<input type="checkbox"/> ABV

Product Specification

The pivot shower door shall be available with 3/8" (10 mm) or 1/2" (12 mm) glass side lite and strike lite options [hinge lite always 1/2" (12 mm)]. Product shall feature out-of-plumb adjustability to allow for easy installation and stainless steel/brass fasteners to prevent rusting or corrosion. Product shall feature coated glass for easy cleaning. Product shall coordinate with the Finial Suite when handle kit K-705769 is purchased. Product requires hardware kits combined with a handle model and glass model. Pivot shower door shall be Kohler Model K-____-L-____ with required glass model K-____ and hardware model K-____.

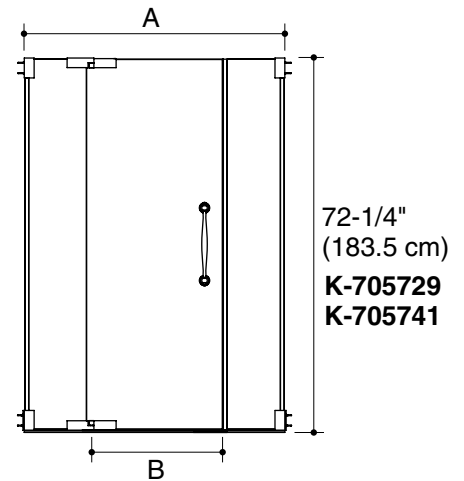
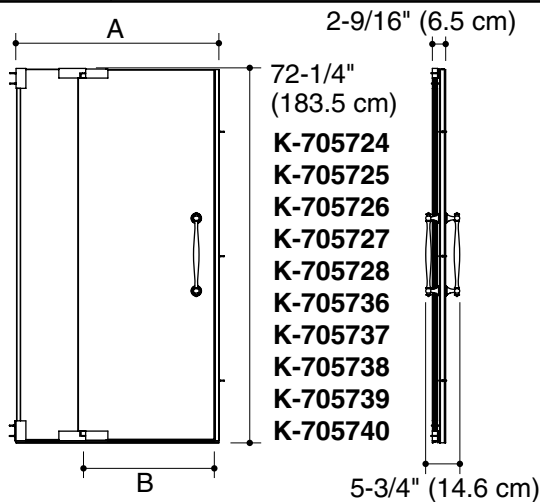
Model	Glass Side Lite Quantity	Glass Model(s)	Hardware Model	Opening Width	Glass Thickness	Frame Finishes/Colors			
						<input type="checkbox"/> SHP	<input type="checkbox"/> NX	<input type="checkbox"/> BH	<input type="checkbox"/> ABV
K-705729-L	2	K-705752 + K-705754	K-705764	57-1/4" (145.4 cm) - 59-3/4" (151.8 cm)	3/8" (10 mm)	<input type="checkbox"/> SHP	<input type="checkbox"/> NX	<input type="checkbox"/> BH	<input type="checkbox"/> ABV
K-705736-L	1	K-705755	K-705763	30-1/4" (76.8 cm) - 32-3/4" (83.2 cm)	1/2" (12 mm)	<input type="checkbox"/> SHP	<input type="checkbox"/> NX	<input type="checkbox"/> BH	<input type="checkbox"/> ABV
K-705737-L	1	K-705756	K-705763	33-1/4" (84.5 cm) - 35-3/4" (90.8 cm)	1/2" (12 mm)	<input type="checkbox"/> SHP	<input type="checkbox"/> NX	<input type="checkbox"/> BH	<input type="checkbox"/> ABV
K-705738-L	1	K-705757	K-705763	36-1/4" (92.1 cm) - 38-3/4" (98.4 cm)	1/2" (12 mm)	<input type="checkbox"/> SHP	<input type="checkbox"/> NX	<input type="checkbox"/> BH	<input type="checkbox"/> ABV
K-705739-L	1	K-705758 + K-705760	K-705763	39-1/4" (99.7 cm) - 41-3/4" (106 cm)	1/2" (12 mm)	<input type="checkbox"/> SHP	<input type="checkbox"/> NX	<input type="checkbox"/> BH	<input type="checkbox"/> ABV
K-705740-L	1	K-705759 + K-705753	K-705763	45-1/4" (114.9 cm) - 47-3/4" (121.3 cm)	1/2" (12 mm)	<input type="checkbox"/> SHP	<input type="checkbox"/> NX	<input type="checkbox"/> BH	<input type="checkbox"/> ABV
K-705741-L	2	K-705759 + K-705762	K-705766	57-1/4" (145.4 cm) - 59-3/4" (151.8 cm)	1/2" (12 mm)	<input type="checkbox"/> SHP	<input type="checkbox"/> NX	<input type="checkbox"/> BH	<input type="checkbox"/> ABV

Installation Notes

Install this product according to the installation guide.

For models with an opening width greater than 57-1/4" (145.4 cm): The shower door must be installed between the two glass side lites.

Model	A (Min - Max)	B (Walk Through Max)
K-705724	30-1/4" (76.8 cm) - 32-3/4" (83.2 cm)	21-5/16" (54.1 cm)
K-705725	33-1/4" (84.5 cm) - 35-3/4" (90.8 cm)	21-5/16" (54.1 cm)
K-705726	36-1/4" (92.1 cm) - 38-3/4" (98.4 cm)	27-5/16" (69.4 cm)
K-705727	39-1/4" (99.7 cm) - 41-3/4" (106 cm)	27-5/16" (69.4 cm)
K-705728	45-1/4" (114.9 cm) - 47-3/4" (121.3 cm)	31-5/16" (79.5 cm)
K-705736	30-1/4" (76.8 cm) - 32-3/4" (83.2 cm)	21-5/16" (54.1 cm)
K-705737	33-1/4" (84.5 cm) - 35-3/4" (90.8 cm)	21-5/16" (54.1 cm)
K-705738	36-1/4" (92.1 cm) - 38-3/4" (98.4 cm)	27-5/16" (69.4 cm)
K-705739	39-1/4" (99.7 cm) - 41-3/4" (106 cm)	27-5/16" (69.4 cm)
K-705740	45-1/4" (114.9 cm) - 47-3/4" (121.3 cm)	31-5/16" (79.5 cm)



Model	A (Min - Max)	B (Walk Through Max)
K-705729	57-1/4" (145.4 cm) - 59-3/4" (151.8 cm)	31-1/4" (79.4 cm)
K-705741	57-1/4" (145.4 cm) - 59-3/4" (151.8 cm)	31-1/4" (79.4 cm)

Product Diagram