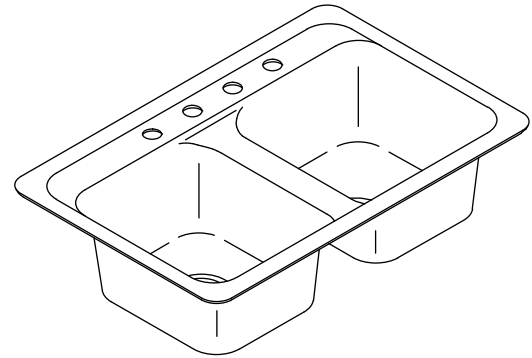


Features

- KOHLER cast iron
- Acid-resistant enamel finish
- Double (equal) compartment
- Tile-in or metal frame installation
- 4-hole
- 32" (813 mm) x 21" (533 mm)

TILE-IN OR METAL FRAME KITCHEN SINK K-5950



Codes/Standards Applicable

Specified model meets or exceeds the following:

- ASME A112.19.1/CSA B45.2

Colors/Finishes

- 0: White
- Other: Refer to Price Book for additional colors/finishes

Accessories

- CP: Polished Chrome
- NA: None applicable
- Other: Refer to Price Book for additional colors/finishes

Specified Model

Model	Description	Colors/Finishes	
K-5950-4	Tile-in or metal frame kitchen sink, 4-hole	<input type="checkbox"/> 0	<input type="checkbox"/> Other_____
Recommended Accessories			
K-9000	P-trap		<input type="checkbox"/> CP
Optional Accessories			
K-6601	Metal Frame	<input type="checkbox"/> NA	
K-8801	Duostrainer® sink strainer	<input type="checkbox"/> CP	<input type="checkbox"/> Other_____

Product Specification

The tile-in or metal frame installation sink shall be made of cast iron with acid-resistant enamel finish. Sink shall be 32" (813 mm) in length, and 21" (533 mm) in width. Sink shall be double (equal) compartment. Sink shall be 4-hole. Sink shall be Kohler Model K-5950-4-_____.

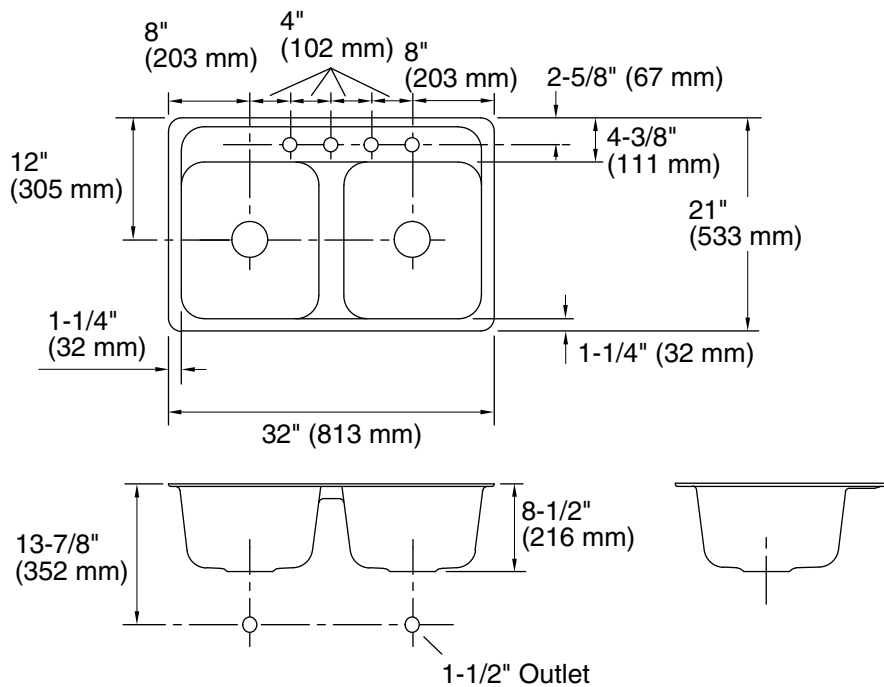
DELAFIELD™

Technical Information

Fixture*:	
Bowl area	14" (356 mm) x 15" (381 mm)
Water depth	8" (203 mm)
Drain hole	Ø 3-5/8" (92 mm)
Faucet holes	Ø 1-3/8" (35 mm)
* Approximate measurements for comparison only.	

Installation Notes

Install this product according to the installation guide.



Product Diagram