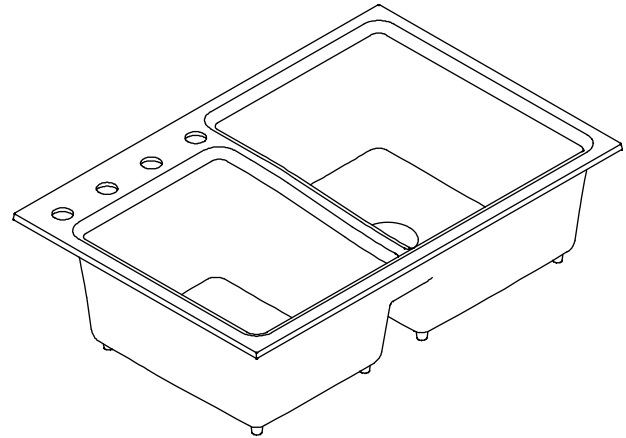


### Features

- KOHLER cast iron
- Acid-resistant enamel finish
- Tile-in
- Double (large/medium) compartment
- 33" (838 mm) x 22" (559 mm)

### TILE-IN KITCHEN SINK K-5814



### Codes/Standards Applicable

Specified model meets or exceeds the following:

- ASME A112.19.1/CSA B45.2

### Colors/Finishes

- 0: White
- Other: Refer to Price Book for additional colors/finishes

### Accessories

- CP: Polished Chrome
- ST: Stainless Steel
- Other: Refer to Price Book for additional colors/finishes

### Specified Model

| Model                          | Description                            | Colors/Finishes             |                                     |
|--------------------------------|--|-----------------------------|-------------------------------------|
| K-5814-4                       | Tile-in kitchen sink – 4-hole          | <input type="checkbox"/> 0  | <input type="checkbox"/> Other_____ |
| <b>Recommended Accessories</b> |  |                             |                                     |
| K-9000                         | P-Trap                                 | <input type="checkbox"/> CP |                                     |
| <b>Optional Accessories</b>    |  |                             |                                     |
| K-6056                         | Bottom bowl rack (for left bowl only)  | <input type="checkbox"/> ST |                                     |
| K-6057                         | Bottom bowl rack (for right bowl only) | <input type="checkbox"/> ST |                                     |
| K-8801                         | Duostrainer® sink strainer             | <input type="checkbox"/> CP | <input type="checkbox"/> Other_____ |

### Product Specification

The tile-in kitchen sink shall be made of cast iron with acid-resistant enamel finish. Sink shall be tile-in. Sink shall have double (large/medium) compartments. Sink shall be 33" (838 mm) in length and 22" (559 mm) in width. Sink shall be Kohler Model K-5814-\_\_\_\_\_-\_\_\_\_\_.

# CLARITY™

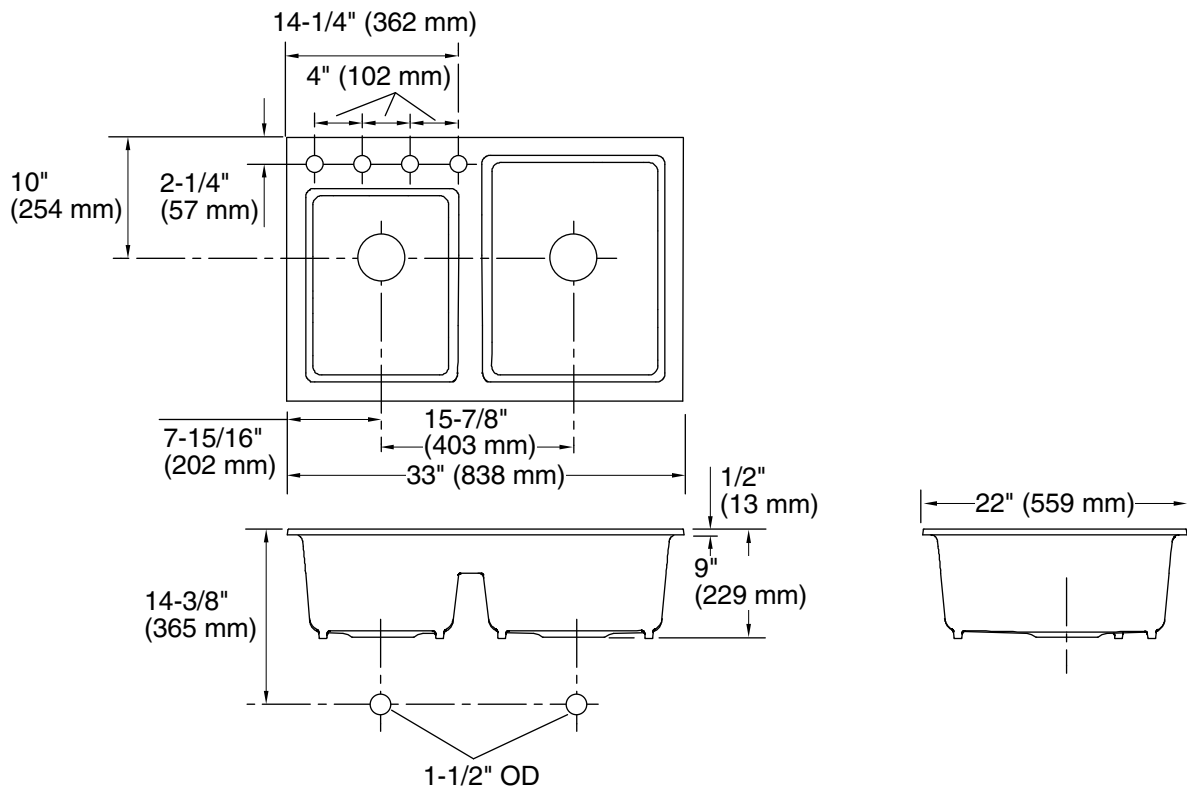
## Technical Information

|  |                                     |
|--|-------------------------------------|
| Fixture*:                                      |                                     |
| Bowl area, left                                | 16-1/4" (413 mm) x 12-7/8" (327 mm) |
| Bowl area, right                               | 19" (483 mm) x 15-3/8" (391 mm)     |
| Water depth                                    | 8-3/8" (213 mm)                     |
| Drain hole                                     | Ø 3-5/8" (92 mm)                    |
| Faucet holes                                   | Ø 1-3/8" (35 mm)                    |
| *Approximate measurements for comparison only. |                                     |

## Installation Notes

Install this product according to the installation guide.

Cut-out is 31-7/8" (810 mm) by 20-3/4" (527 mm) with 1-1/2" (38 mm) radius corners.



## Product Diagram