

Features

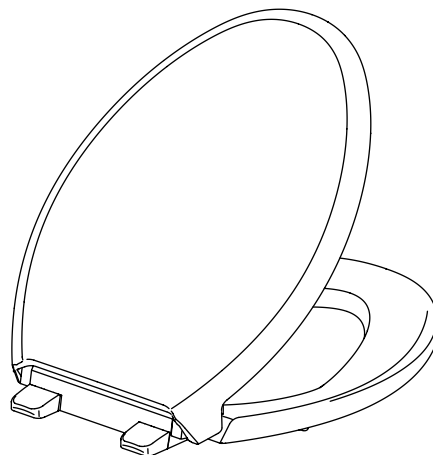
- Slow-closing lid and ring prevents slamming
- Hydraulic slow-closing device
- Quick-Release™ hinge for ease of cleaning
- Hinge caps snap open to release
- Seat pulls forward for removal
- Ergonomically contoured seat for user comfort
- Ergonomic cover for easy opening
- Solid polypropylene plastic
- Closed front
- Elongated front

Codes/Standards Applicable

Specified model meets or exceeds the following:

- None applicable

QUIET-CLOSE™ SEATS WITH QUICK-RELEASE™ FUNCTIONALITY K-4733



Colors/Finishes

- 0: White
- Other: Refer to Price Book for additional colors/finishes

Specified Model

Model	Description	Colors/Finishes	
K-4733	Elongated closed front seat	<input type="checkbox"/> 0	<input type="checkbox"/> Other_____

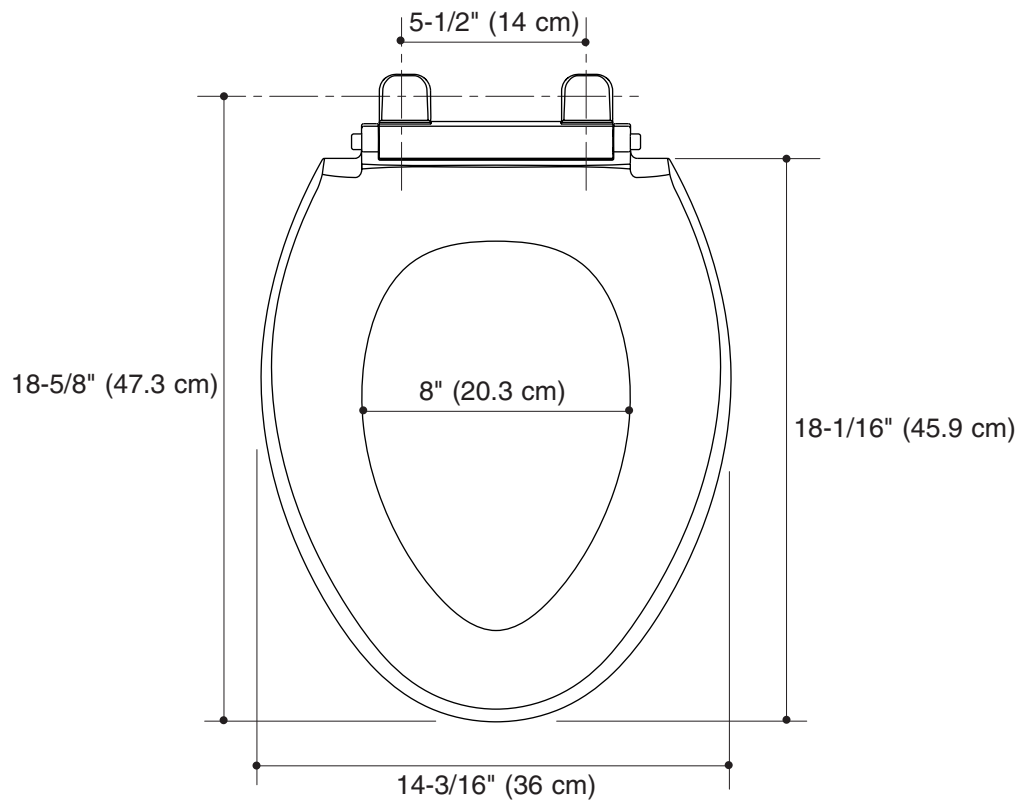
Product Specification

The toilet seat lid and ring shall be slow-closing to prevent slamming. The seat shall have a hydraulic slow-closing device. The quick release hinges allow for cleaning ease of the toilet and seat. The quick release system shall consist of hinge caps that snap open to release and the seat shall pull forward for removal. The toilet seat shall be elongated closed front with ergonomically contoured seat for user comfort. The toilet seat shall be made of solid polypropylene. Toilet seat shall have ergonomic cover for easy opening. Toilet seat shall be Kohler Model K-4733-_____.

GLENBURY™

Installation Notes

Install this product according to the installation guide.



Product Diagram