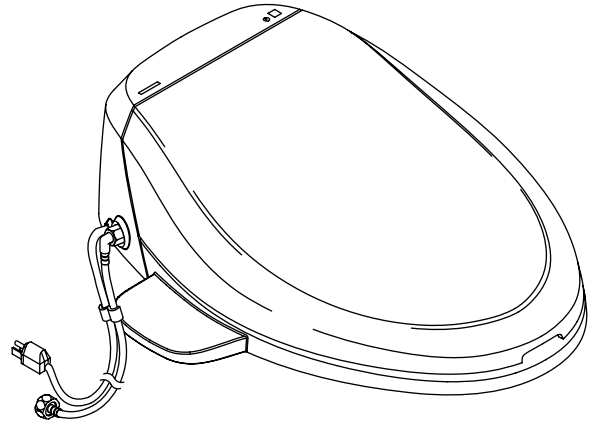


Features

- Elongated closed-front seat fits most elongated toilets
- Two spray wands with adjustable water pressure, temperature, and pulsate functions
- Heated seat with adjustable temperature settings
- Automatic night light function to illuminate the bowl
- Energy save function
- Anti-microbial materials used in seat and nozzles
- Quick-Release™ functionality allows for ease of cleaning
- Quiet-Close™ technology prevents lid from slamming
- Air blower function allowing selection of air temperature
- Automatic deodorization function

TOILET SEAT WITH BIDET FUNCTIONALITY K-4737



Codes/Standards Applicable

Specified model meets or exceeds the following:

- ASME A112.4.2
- ANSI Z124.5
- UL 1431

Colors/Finishes

- 0: White
- Other: Refer to Price Book for additional colors/finishes

Specified Model

Model	Description	Colors/Finishes	
K-4737	Toilet seat with bidet functionality	<input type="checkbox"/> 0	<input type="checkbox"/> Other_____

Product Specification

The toilet seat with bidet functionality shall feature an elongated closed-front seat which fits most elongated toilets. Product shall have two spray wands with adjustable water pressure, temperature, and pulsate functions. Product shall feature an energy save function and an automatic night light to illuminate the bowl. Product shall feature a heated seat with adjustable temperature settings. Seat and nozzles shall be constructed of anti-microbial materials. Product shall feature Quick-Release™ design for ease of cleaning and Quiet-Close™ technology to prevent the lid from slamming. Product shall have automatic deodorization function and air blower function which allows air temperature selection. Toilet seat shall be Kohler Model K-4737-_____.

C³® - 125

Technical Information

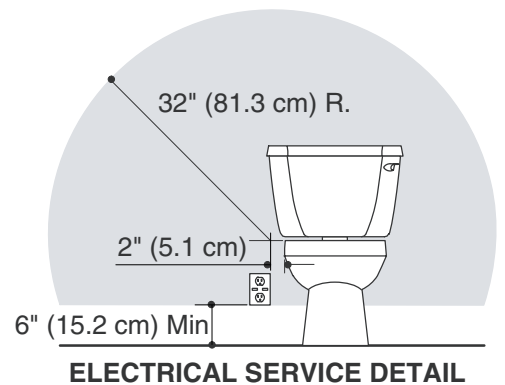
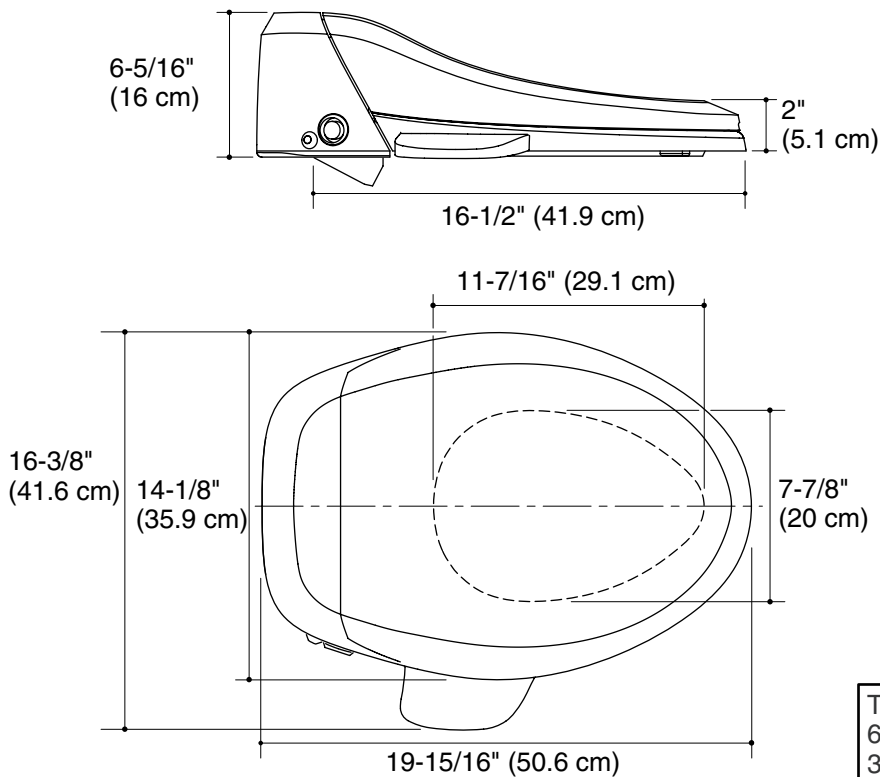
Fixture:	
Water supply pressure	20 psi (139 kPa) - 80 psi (551 kPa)
Max electrical rating	120 VAC / 60 Hz / 450 W
Power cord length	43" (109.2 cm)
A dedicated circuit protected with a Class A Ground-Fault Circuit-Interrupter (GFCI) or Residual Current Device (RCD) is required.	

Installation Notes

Install this product according to the installation guide.

NOTICE: Do not use an extension cord with this product.

NOTICE: Do not plug in the seat until instructed to do so in the installation guide. This will avoid possible product malfunction.



The receptacle should be located at least 6" (15.2 cm) above the floor line, and within a 32" (81.3 cm) radius measured 2" (5.1 cm) to the right of the toilet ledge, as shown.

Product Diagram