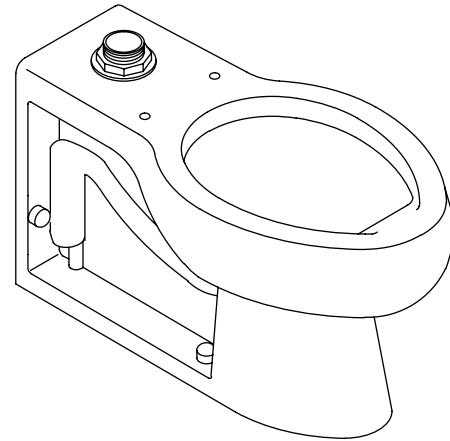


ELONGATED BOWL TOILET K-4386

ADA

Features

- Vitreous china
- Angle back and wall outlet
- 1-1/2" top spud
- 2-3/8" (6 cm) passageway
- 11" (27.9 cm) x 9-1/2" (24.1 cm) water area
- 4-1/2" (11.4 cm) rough-in
- 1.6 gpf (6 lpf)
- ADA compliant when a K-4679 open-front toilet seat is installed
- 27-1/2" (69.9 cm) x 14-1/2" (36.8 cm) x 15" (38.1 cm)



Codes/Standards Applicable

Specified model meets or exceeds the following:

- ADA
- ASME A112.19.2/CSA B45.1
- ICC/ANSI A117.1

Colors/Finishes

- 0: White
- Other: Refer to Price Book for additional colors/finishes

Accessories:

- 0: White
- Other: Refer to Price Book for additional colors/finishes

Specified Model

Model	Description	Colors/Finishes	
K-4386	Elongated bowl toilet	<input type="checkbox"/> 0	<input type="checkbox"/> Other _____
K-4386-L	Elongated bowl toilet with bedpan lugs	<input type="checkbox"/> 0	<input type="checkbox"/> Other _____

Recommended Accessories			
K-4670-C	Lustra™ open-front seat	<input type="checkbox"/> 0	<input type="checkbox"/> Other _____
K-4670-CA	Lustra open-front seat with anti-microbial agent	<input type="checkbox"/> 0	
K-4679	Lustra open-front seat with anti-microbial agent, less cover	<input type="checkbox"/> 0	
21401	Floor bolts (pair)		

Product Specification

The elongated bowl shall be made of vitreous china. Bowl shall be 27-1/2" (69.9 cm) in length, 14-1/2" (36.8 cm) in width, and 15" (38.1 cm) in height. Bowl shall have 11" (27.9 cm) by 9-1/2" (24.1 cm) water area. Bowl shall have a 4-1/2" (11.4 cm) rough-in with a 1-1/2" top spud. Bowl shall feature 1.6 gpf (6 lpf), a 2-3/8" (6 cm) passageway, and an angle back and wall outlet. Bowl shall be ADA compliant when a K-4679 open-front toilet seat is installed. Bowl shall be Kohler Model K-4386-_____.

