



## Top-mount/Under-mount Kitchen Sink K-3839-1

### Optional Accessories

- K-6429 Utility Rack
- K-6432 Saddle Towel Bar
- K-6434 Saddle Utility Rack
- K-6647 Bottom Bowl Rack (for small bowl)
- K-6667 Wood Cutting Board
- K-8801-NBR Sink Strainer

### Components

Product includes:

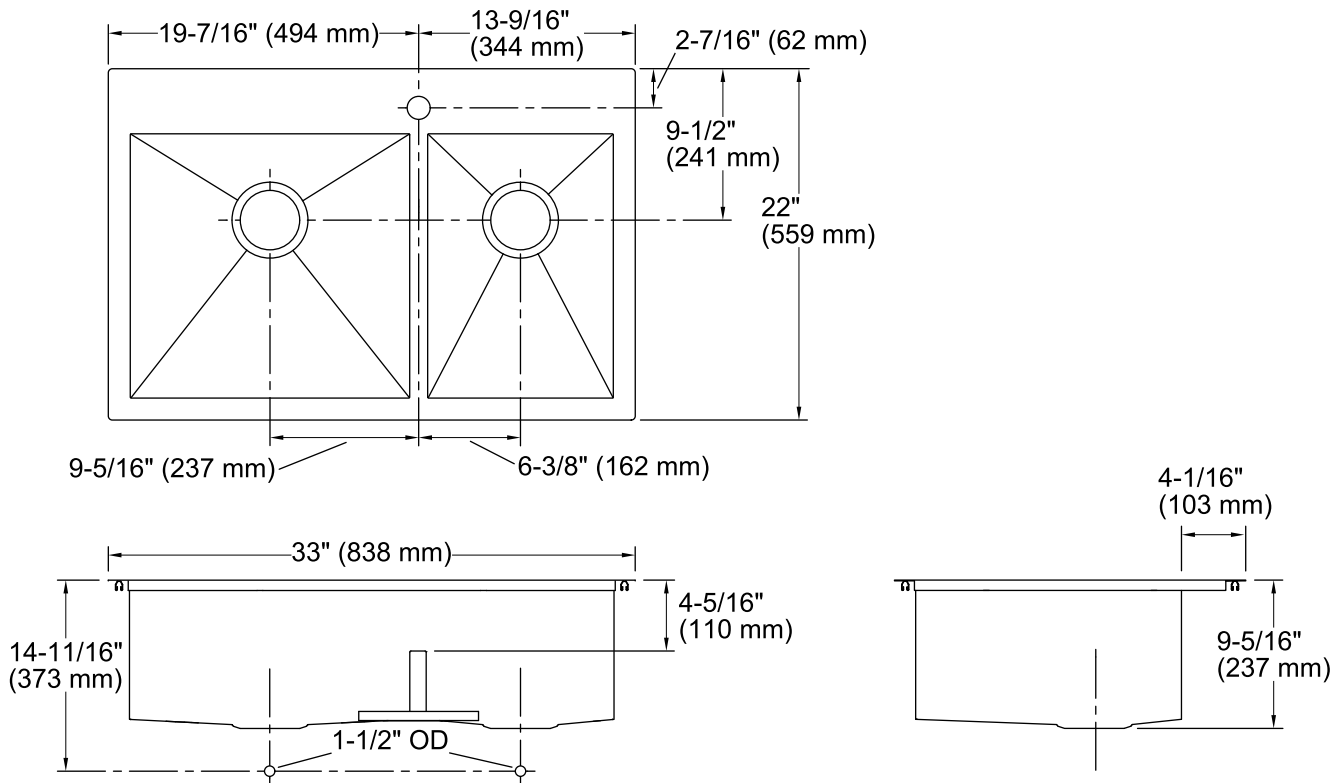
- 1177160 Hardware Kit; Top-mount



### Codes/Standards

ASME A112.19.3/CSA B45.4

See website for detailed warranty information.



### Technical Information

All product dimensions are nominal.

Bowl configuration: Offset

Installation: Top-mount, Under-mount

Bowl area (Left) Length: 17-1/2" (445 mm)

Width: 16-9/16" (420 mm)

Bowl depth: 9" (229 mm)

Water depth: 9" (229 mm)

Bowl area (Right) Length: 11-5/8" (295 mm)

Width: 16-9/16" (420 mm)

Bowl depth: 9" (229 mm)

Water depth: 9" (229 mm)

Number of deck holes: 1

Faucet hole(s): 1-7/16" (37 mm)

Drain hole: 3-3/4" (94 mm)

Template: Top-mount/Under-mount, 1130823-7,  
required, included

### Notes

Install this product according to the installation guide.

Allow 3/4" (19 mm) clearance beyond the back of the bowl for the wood cutting board (optional accessory).