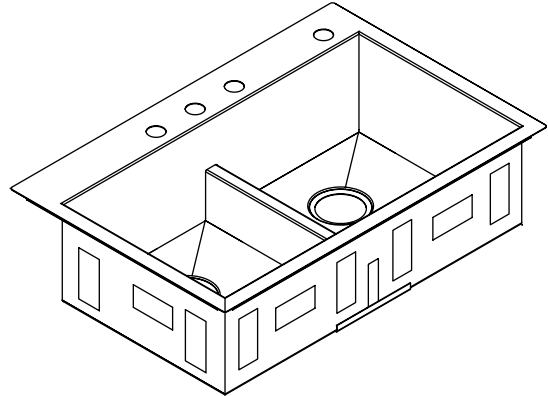


Features

- 18-gauge stainless steel
- Self-rimming or undercounter
- Double (equal) compartment
- Smart Divide™ lowered divider
- Includes bottom basin rack (quantity of one)
- Includes installation hardware
- 33" (83.8 cm) x 22" (55.9 cm)

SELF-RIMMING/UNDERCOUNTER KITCHEN SINK K-3838



Codes/Standards Applicable

Specified model meets or exceeds the following:

- ASME A112.19.3/CSA B45.4

Colors/Finishes

- NA: None applicable

Accessories

- CP: Polished Chrome
- ST: Stainless Steel
- NA: None applicable
- Other: Refer to Price Book for additional colors/finishes

Specified Model

Model	Description	Colors/Finishes
K-3838-1	Self-rimming/Undercounter kitchen sink – single-hole	<input type="checkbox"/> NA
K-3838-3	Self-rimming/Undercounter kitchen sink – 3-hole	<input type="checkbox"/> NA
K-3838-4	Self-rimming/Undercounter kitchen sink – 4-hole	<input type="checkbox"/> NA

Included Accessories		
K-6641	Bottom basin rack (fits both left and right basins, QTY = 1)	<input type="checkbox"/> ST

Optional Accessories			
K-8801	Duostrainer® sink strainer	<input type="checkbox"/> CP	<input type="checkbox"/> Other_____
1131881	Hardware kit for countertops with a 2-1/2" (6.4 cm) thickness or less		<input type="checkbox"/> NA

Product Specification

The undercounter or self-rimming kitchen sink shall be made of 18-gauge stainless steel. Sink shall feature double equal compartments and Smart Divide lowered divider. Sink shall include one bottom basin rack and installation hardware. Sink shall be 33" (83.8 cm) in length, 22" (55.9 cm) in width. Sink shall be Kohler Model K-3838-____-NA.

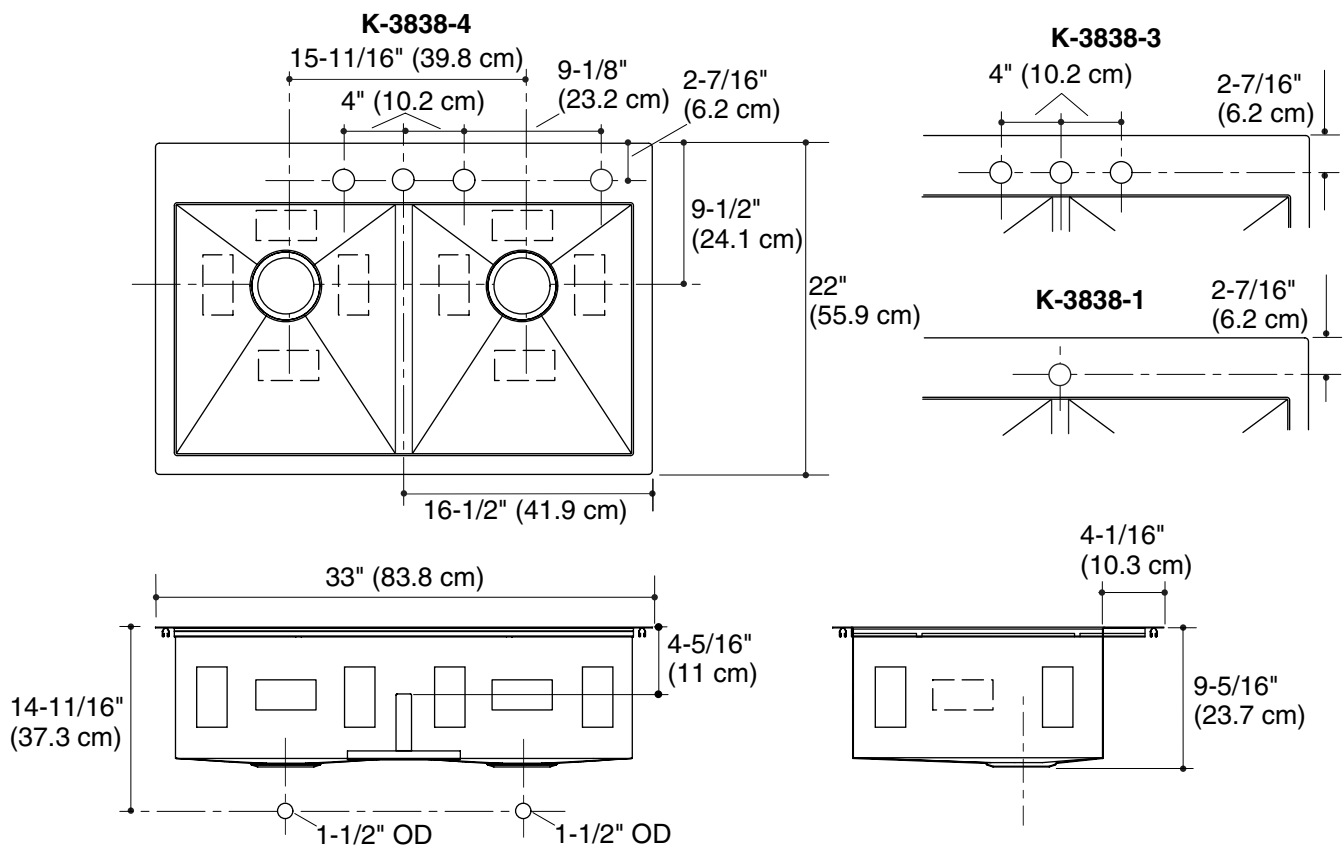
Technical Information

Fixture*:	
Basin area	14-9/16" (37 cm) x 16-9/16" (42.1 cm) 14-9/16" (37 cm) x 16-9/16" (42.1 cm)
Water depth	9" (22.9 cm)
Drain hole	3-5/8" (9.2 cm) D.
* Approximate measurements for comparison only.	

Included components:	
Hardware kit – self-rimming	1130570
Cut-out template	1130821-7

Installation Notes

Install this product according to the installation guide.



Product Diagram