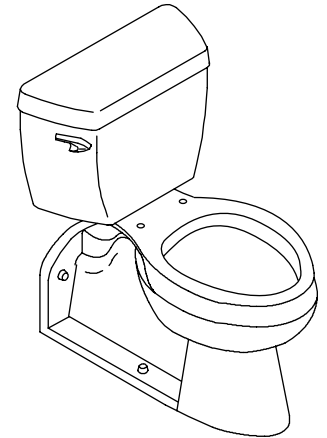


PRESSURE LITE® TOILET K-3578

Features

- Vitreous china
- Elongated bowl
- Comfort Height®
- Equipped with Sloan FLUSHMATE® – Sloan® Valve Company
- Polished chrome trip lever
- Rear outlet
- Less seat and supply
- 4" (10.2 cm) rough-in
- 1 gpf (4 lpf)
- 2-1/8" (5.4 cm) glazed trapway
- 12" (30.5 cm) x 10" (25.4 cm) water area
- 31-1/2" (80 cm) x 21-1/4" (54 cm) x 31-1/4" (79.4 cm)



Codes/Standards Applicable

Specified model meets or exceeds the following:

- ADA
- ICC/ANSI A117.1
- ASME A112.19.2/CSA B45.1
- Energy Policy Act of 1992
- EPA WaterSense®

Colors/Finishes

- 0: White
- CP: Polished Chrome
- PB: Vibrant® Polished Brass
- Other: Refer to Price Book for additional colors/finishes

Specified Model

Model	Description	Trip Lever	Colors/Finishes	
K-3578	Pressure Lite toilet	left-hand	<input type="checkbox"/> 0	<input type="checkbox"/> Other_____
K-3578-RA	Pressure Lite toilet	right-hand	<input type="checkbox"/> 0	<input type="checkbox"/> Other_____
K-3578-T	Pressure Lite toilet - with tank cover locks	left-hand	<input type="checkbox"/> 0	<input type="checkbox"/> Other_____

Recommended Accessories

K-4650	Lustra™ elongated open-front seat – for ADA compliant installation		<input type="checkbox"/> 0	<input type="checkbox"/> Other_____
K-4652	Lustra elongated closed-front seat with cover		<input type="checkbox"/> 0	<input type="checkbox"/> Other_____
K-4652-A	Lustra elongated closed-front seat with cover – anti-microbial agent		<input type="checkbox"/> 0	
K-7637	Angle supply with stop – 3/8" NPT	<input type="checkbox"/> CP		<input type="checkbox"/> Other_____

Product Specification

The elongated bowl toilet shall be made of vitreous china. Product shall be 31-1/2" (80 cm) in length, 21-1/4" (54 cm) in width, and 31-1/4" (79.4 cm) in height with a 12" (30.5 cm) x 10" (25.4 cm) water area. Product shall feature a 4" (10.2 cm) rough-in, rear outlet, 2-1/8" (5.4 cm) glazed trapway, Comfort Height, and polished chrome trip lever. Product shall be less seat and supply. Product shall be 1 gpf (4 lpf) and equipped with a Sloan FLUSHMATE – Sloan Valve Company. Toilet shall be Kohler Model K-3578-____ or K-3578-____-_____.

BARRINGTON™

Technical Information

Fixture:	
Configuration	two-piece, elongated
Water per flush	1 gal (4 L)
Passageway	2-1/8" (5.4 cm)
Water area	12" (30.5 cm) x 10" (25.4 cm)
Water depth from rim	5-7/8" (14.9 cm)
Seat post hole centers	5-1/2" (14 cm)
Minimum static pressure required	35 psi (241.3 kPa)
Maximum static pressure	80 psi (551.6 kPa)

Included components*:	
Bowl	K-4305
Tank	K-4484
Tank cover	1036375
Trip lever, left-hand	K-9481-L
Trip lever, right-hand	K-9481-R
Floor screws and bolt caps	52049
Tank accessory pack	73062
Bolt cap accessory pack	52048

*Equipped with Sloan FLUSHMATE® – Sloan® Valve Company

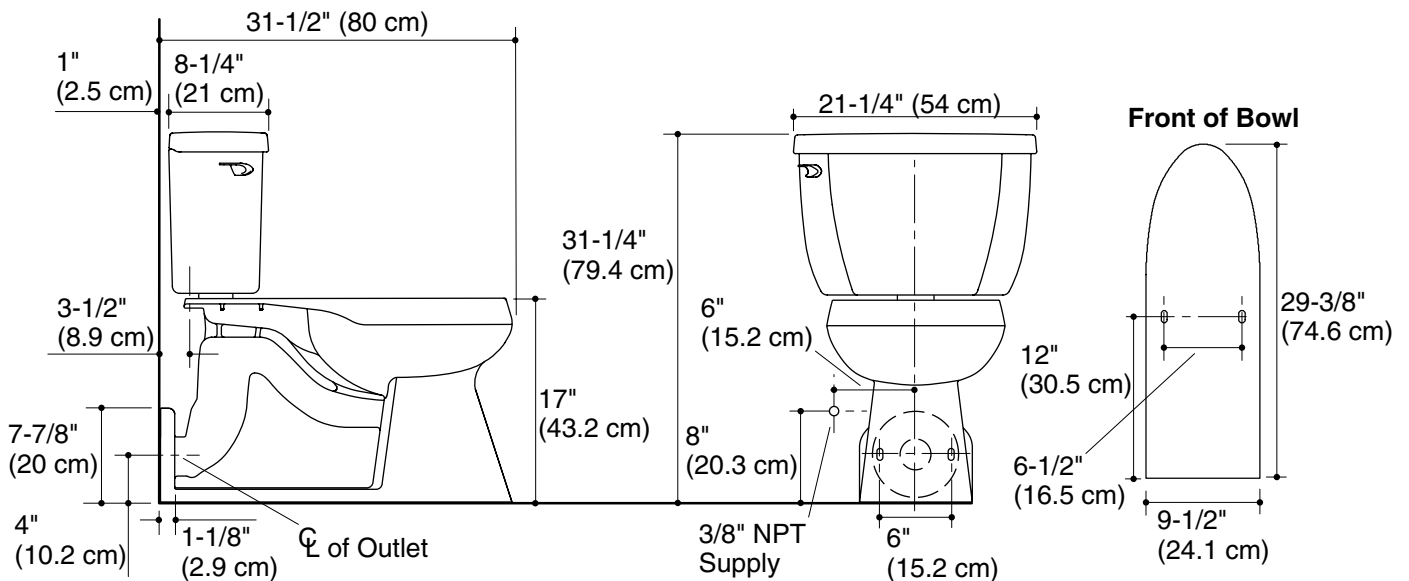
Installation Notes

Install this product according to the installation guide.

Will comply with the American Disabilities Act (ADA) when installed per the requirements of the Accessibility Guidelines, Section 604 Water Closets, of the Act. The Model Plumbing Codes require the installation of elongated open-front toilet seats in public bathrooms.

The Plumbing Codes require open-front elongated toilet seats on public use toilets.

For back-to-back installations: Connect the toilet to the vertical stack using a: double fixture fitting, double combination wye and 1/8 bends, or double wye and 1/8 bends.



Product Diagram