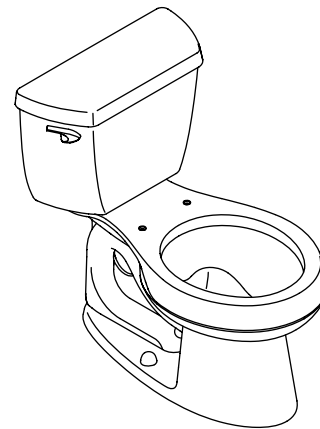


Features

- Vitreous china
- Round-front
- Class Five® flushing system
- Polished chrome trip lever
- Less supply
- 12" (30.5 cm) rough-in
- 1.28 gpf (4.8 lpf)
- 2-1/8" (5.4 cm) glazed trapway
- 10-1/2" (26.7 cm) x 7-3/4" (19.7 cm) water area
- 28-1/2" (72.4 cm) x 19-5/8" (49.8 cm) x 28-1/4" (71.8 cm)



Codes/Standards Applicable

Specified model meets or exceeds the following:

- ASME A112.19.2/CSA B45.1
- EPA WaterSense®

Colors/Finishes

- 0: White
- Other: Refer to Price Book for additional colors/finishes

Accessories

- CP: Polished Chrome
- PB: Vibrant® Polished Brass
- Other: Refer to Price Book for additional colors/finishes

Specified Model

| Model | Description | Trip Lever | Colors/Finishes | |
|-----------|---|------------|----------------------------|-------------------------------------|
| K-3577 | Class Five® toilet | left-hand | <input type="checkbox"/> 0 | <input type="checkbox"/> Other_____ |
| K-3577-RA | Class Five® toilet | right-hand | <input type="checkbox"/> 0 | <input type="checkbox"/> Other_____ |
| K-3577-RZ | Class Five® toilet with Insuliner®, and cover locks | right-hand | <input type="checkbox"/> 0 | <input type="checkbox"/> Other_____ |
| K-3577-T | Class Five® toilet with cover locks | left-hand | <input type="checkbox"/> 0 | <input type="checkbox"/> Other_____ |
| K-3577-TR | Class Five® toilet with cover locks | right-hand | <input type="checkbox"/> 0 | <input type="checkbox"/> Other_____ |
| K-3577-U | Class Five® toilet with Insuliner® | left-hand | <input type="checkbox"/> 0 | <input type="checkbox"/> Other_____ |
| K-3577-UR | Class Five® toilet with Insuliner® | right-hand | <input type="checkbox"/> 0 | <input type="checkbox"/> Other_____ |
| K-3577-UT | Class Five® toilet with Insuliner®, and cover locks | left-hand | <input type="checkbox"/> 0 | <input type="checkbox"/> Other_____ |

Product Specification

The toilet with round-front bowl shall be made of vitreous china. Toilet shall be 28-1/2" (72.4 cm) in length, 19-5/8" (49.8 cm) in width, and 28-1/4" (71.8 cm) in height with a 10-1/2" (26.7 cm) x 7-3/4" (19.7 cm) water area. Toilet shall be 1.28 gpf (4.8 lpf) with Class Five® flushing system. Toilet shall have 2-1/8" (5.4 cm) glazed trapway. Toilet shall include polished chrome trip lever. Toilet shall be 12" (30.5 cm) rough-in and less supply. Toilet shall be Kohler Model K-3577-_____.

WELLWORTH®

Recommended Accessories

| | | | | | |
|--------|-----------------------------------|----------------------------|-----------------------------|-----------------------------|-------------------------------------|
| K-4658 | Brevia™ seat with cover | <input type="checkbox"/> 0 | | | <input type="checkbox"/> Other_____ |
| K-4689 | Cachet® seat with cover | <input type="checkbox"/> 0 | | | <input type="checkbox"/> Other_____ |
| K-7637 | Angle supply with stop – 3/8" NPT | | <input type="checkbox"/> CP | <input type="checkbox"/> PB | <input type="checkbox"/> Other_____ |

Technical Information

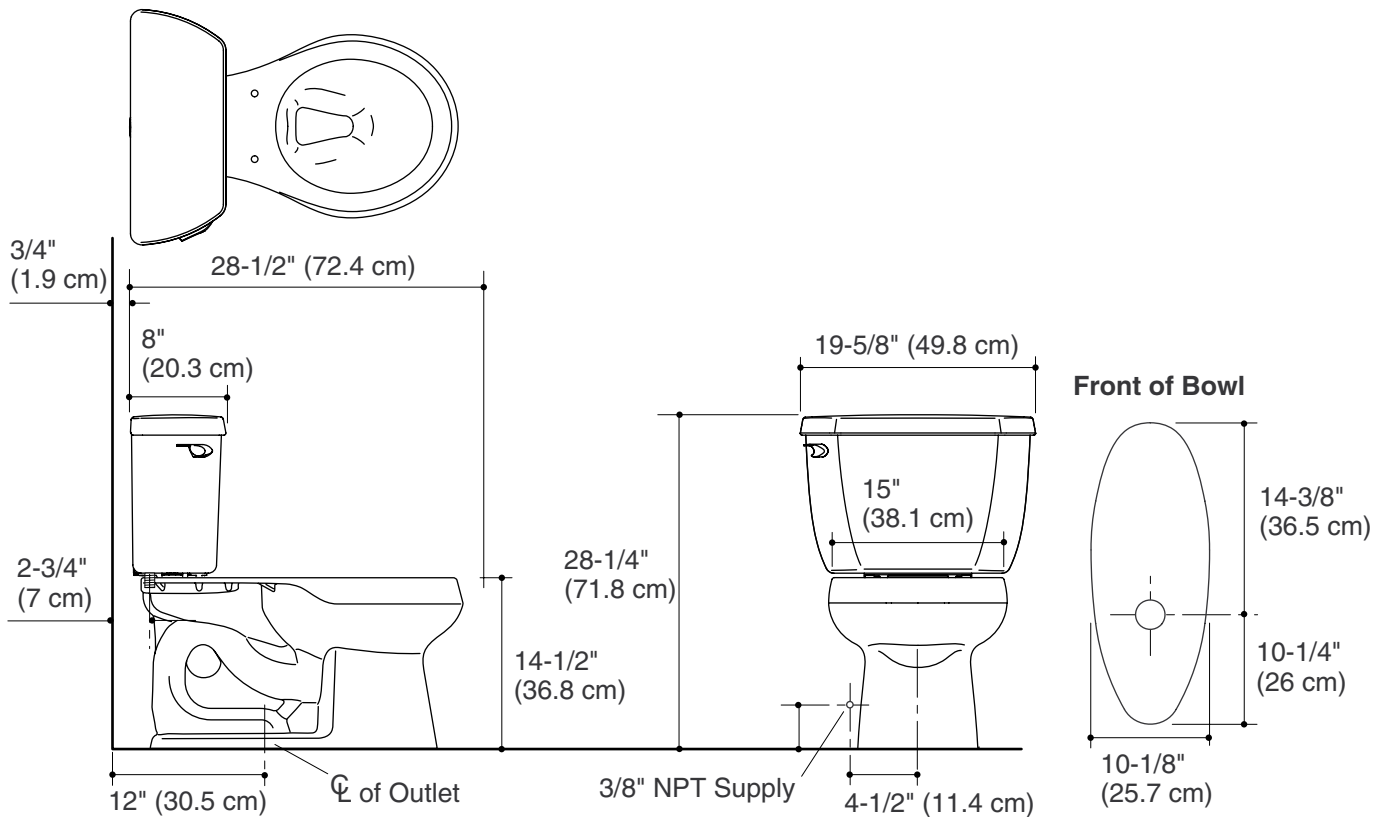
| | |
|------------------------|---|
| Fixture: | |
| Configuration | two-piece, round |
| Water per flush | 1.28 gpf (4.8 lpf) |
| Passageway | 2-1/8" (5.4 cm) |
| Water area | 10-1/2" (26.7 cm) x 7-3/4" (19.7 cm) |
| Water depth from rim | 5-1/4" (13.3 cm) |
| Seat post hole centers | 5-1/2" (14 cm) |

Included components:

| | |
|-------------------------|---------|
| Bowl | K-4197 |
| Tank | K-4436 |
| Tank cover | 84591 |
| Trip lever | K-9380 |
| Tank attachment kit | 1016548 |
| Bolt cap accessory pack | 1013092 |

Installation Notes

Install this product according to the installation guide.



Product Diagram