

## BARDON™ 1/8th GPF

### HIGH EFFICIENCY URINAL (HEU) K-4904-ET

ADA

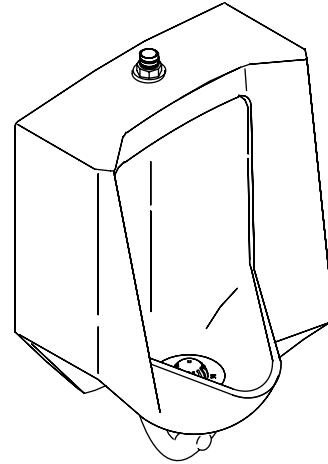
#### Features

- Vitreous china
- Washout
- 3/4" top spud
- 14" (35.6 cm) extended rim
- 0.125 gpf (0.473 lpf) to 1 gpf (3.78 lpf)

#### Codes/Standards Applicable

Specified model meets or exceeds the following:

- ASME A112.19.2/CSA B45.1
- Energy Policy Act of 1992
- ADA when rim is mounted no higher than 17" (43.2 cm) from finished floor
- ICC/ANSI A117.1



#### Colors/Finishes

- 0: White
- Other: Refer to Price Book for additional colors/finishes

#### Specified Model

Model	Description	Colors/Finishes	
K-4904-ET	High Efficiency Urinal (HEU) with 3/4" (1.9 cm) top spud	<input type="checkbox"/> 0	<input type="checkbox"/> Other_____

#### Product Specification

Washout urinal shall be made of vitreous china with a 3/4" (1.9 cm) top spud. Urinal shall have a 14" (35.6 cm) extended rim. Urinal shall use 0.125 gpf (0.473 lpf) to 1 gpf (3.78 lpf). Urinal shall be Kohler Model K-4904-ET-\_\_\_\_\_.

# BARDON™ 1/8th GPF

## Technical Information

Fixture:	
Configuration	3/4" (1.9 cm) top spud urinal
Water per flush	0.125 gpf (0.473 lpf) to 1 gal (3.78 L)*
Spud inlet size	3/4" (1.9 cm)
*Designed to flush with 0.125 gpf (0.473 lpf) when installed with a 0.125 gpf (0.473 lpf) flush valve.	

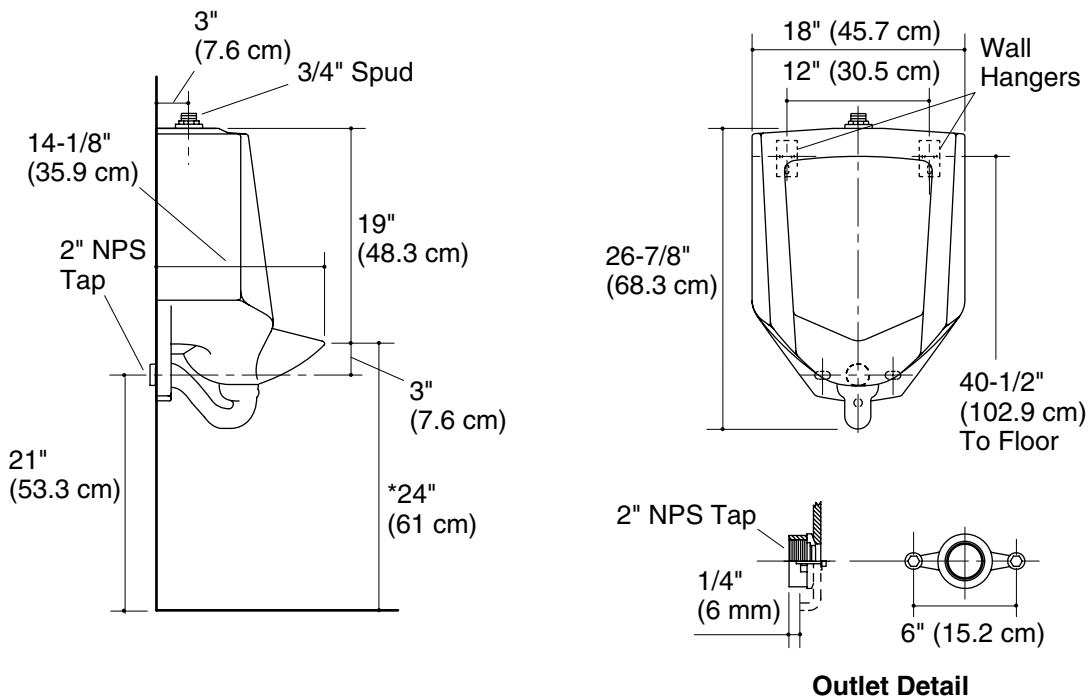
Included components:	
3/4" inlet spud	18376
2" outlet spud	18766
Strainer	85061
Hanger (2 required)	64512

## Installation Notes

Install this product according to the installation guide.

Refer to manufacturer's instructions and local codes for flush valve requirements.

\*Urinal complies with ADA requirements when rim is mounted no higher than 17" (43.2 cm) from finished floor.



## Product Diagram