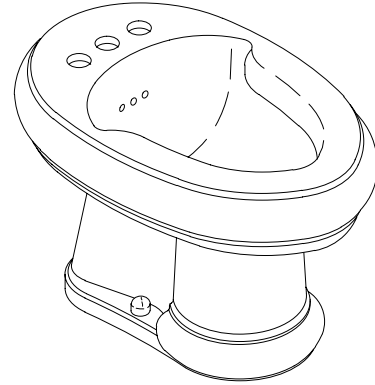


FEATURES

- Vitreous china
- Drilled for fixture-mounted centerset over-the-rim bidet faucet



CODES/STANDARDS APPLICABLE

Specified model meets or exceeds the following:

- ASME/ANSI A112.19.2M
- IAPMO/UPC
- Canadian Standards Association (CSA)

COLORS/FINISHES

- 0 White
- Other Refer to Fixtures Price Book for additional colors

Accessories:

- CP Polished Chrome
- PB Polished Brass
- Other Refer to Faucets Price Book for additional finishes

SPECIFIED MODEL:

Model	Description	Colors/Finishes		
K-4832	Bidet	<input type="checkbox"/> 0 White	<input type="checkbox"/> Other_____	
Recommended Accessories				
K-9018	Trap	<input type="checkbox"/> CP	<input type="checkbox"/> PB	<input type="checkbox"/> Other_____
K-6226-4	Flair™ Lever faucet OR	<input type="checkbox"/> CP	<input type="checkbox"/> PB	
K-8240	Taboret® LX faucet OR			<input type="checkbox"/> Other_____
K-8240-K	Taboret base faucet OR	<input type="checkbox"/> CP	<input type="checkbox"/> PB	
K-9279-K	Triton™/Finesse™/Flair Acrylic base faucet OR	<input type="checkbox"/> CP	<input type="checkbox"/> PB	
K-9299-2	Alterna™ faucet OR	<input type="checkbox"/> CP	<input type="checkbox"/> PB	<input type="checkbox"/> Other_____
K-14532	Paladar™ faucet OR	<input type="checkbox"/> CP	<input type="checkbox"/> PB	<input type="checkbox"/> Other_____
K-15894-K	Coralais™ base faucet OR	<input type="checkbox"/> CP	<input type="checkbox"/> PB	
K-16131	Revival™ faucet	<input type="checkbox"/> CP	<input type="checkbox"/> PB	<input type="checkbox"/> Other_____

PRODUCT SPECIFICATION:

The bidet shall be made of vitreous china. Bidet shall be drilled for fixture-mounted centerset over-the-rim bidet faucet. Bidet shall be Kohler Model K-4832-_____.

PRODUCT INFORMATION

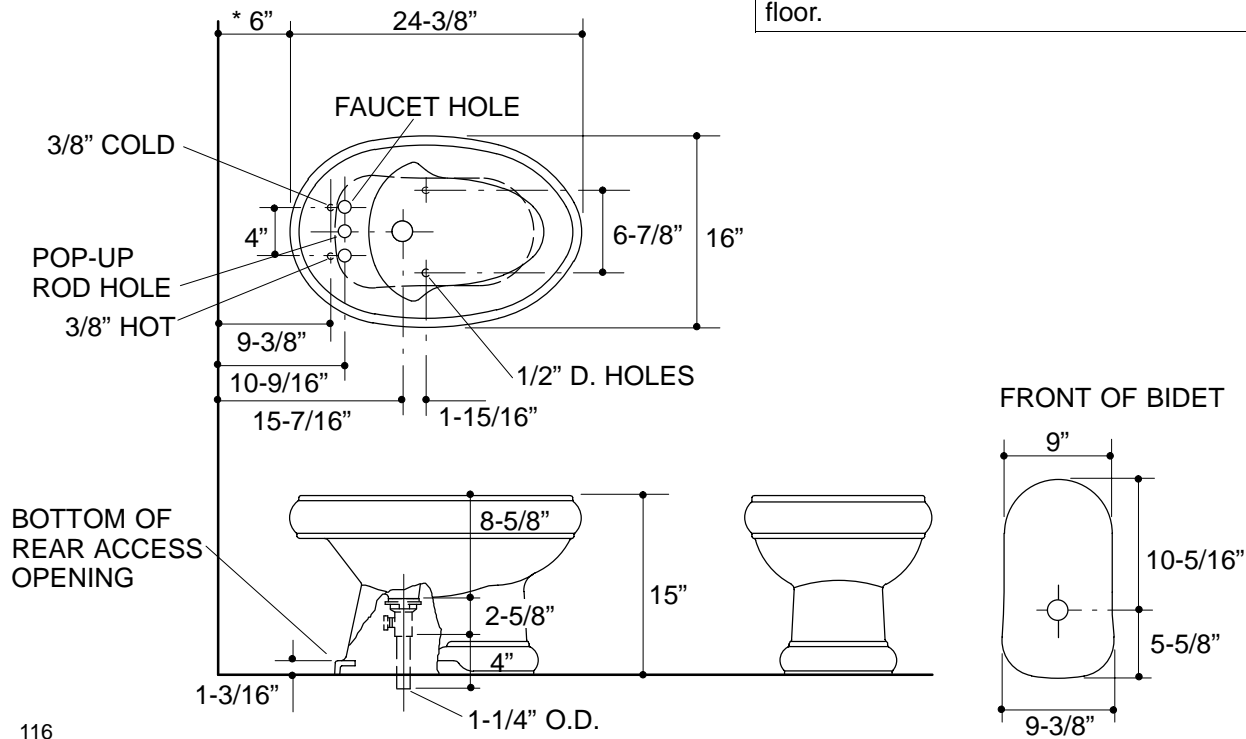
Fixture:	
Configuration	Faucet deck
Outlet	1-3/4" D.
Faucet hole	1-3/16" D.
Pop-up rod hole	1-3/16" D.
Included Components:	
Floor screws and bolt caps	52049

Roughing-In Notes

* 6" dimension required to allow for drain and supply connection from rear of bidet.

Install trap in drain line below floor.

Hot and cold supply locations should be installed from floor.



116

PRODUCT DIAGRAM