

FEATURES

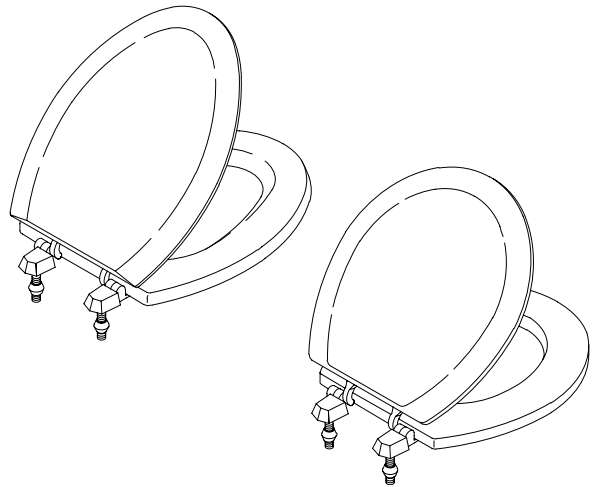
- Elongated or round front
- Molded seat
- Open or closed front
- With cover
- With hinges
- Ergonomically contoured cover (K-4752 & K-4754)

**K-4710-T, K-4712-T,
K-4714-T, K-4716-T,
K-4726-T, K-4752,
K-4754**

CODES/STANDARDS APPLICABLE

Specified model meets or exceeds the following:

- None applicable



COLORS/FINISHES

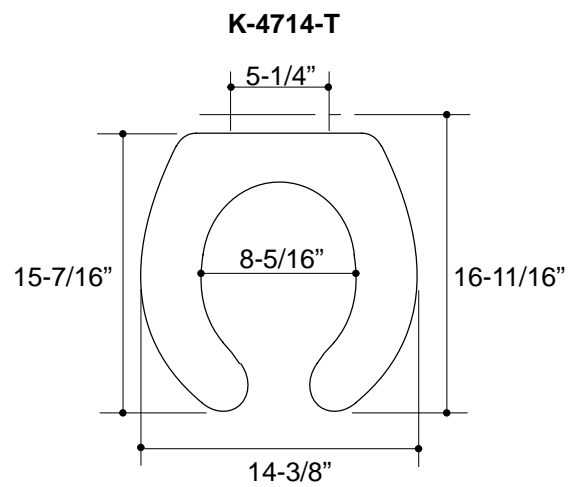
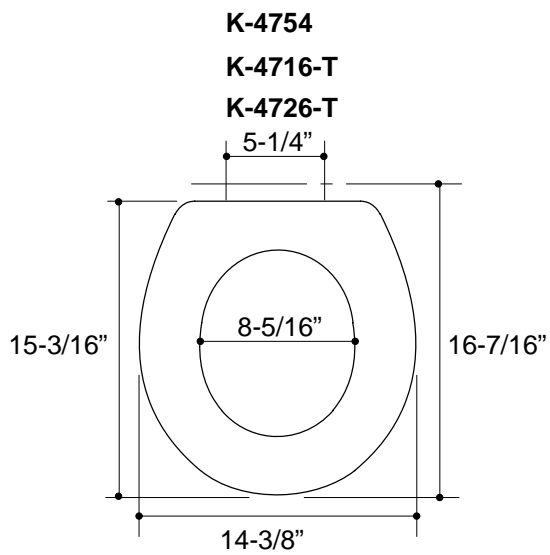
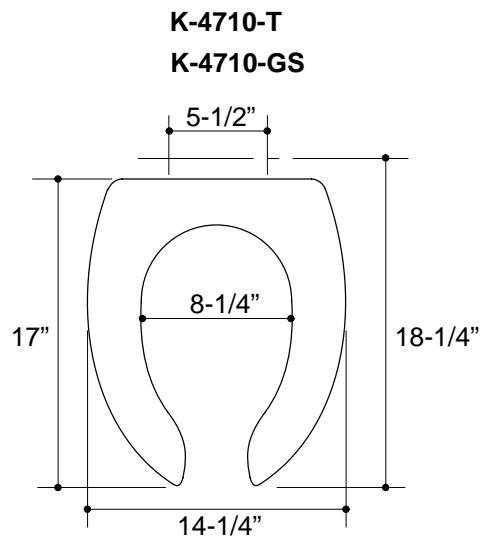
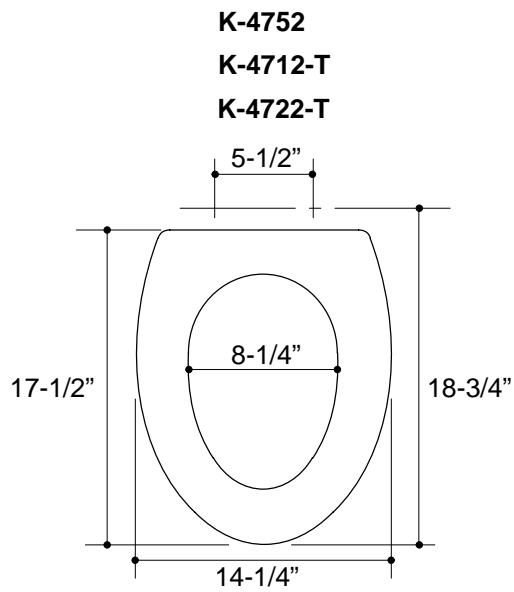
- 0 White
- Other Refer to Fixtures Price Book for additional colors
- Other* Not available in color 71 (Seafoam Green)

SPECIFIED MODEL:

Model	Description	Colors/Finishes	
K-4710-T	Elongated open front seat with cover, plastic hinges	<input type="checkbox"/> 0 White	<input type="checkbox"/> Other* _____
K-4710-GS	with polished chrome hinges	<input type="checkbox"/> 0 White	<input type="checkbox"/> Other* _____
K-4712-T	Elongated closed front seat with cover, plastic hinges	<input type="checkbox"/> 0 White	<input type="checkbox"/> Other _____
K-4722-T	with polished chrome hinges	<input type="checkbox"/> 0 White	<input type="checkbox"/> Other _____
K-4714-T	Round open front seat with cover, plastic hinges	<input type="checkbox"/> 0 White	<input type="checkbox"/> Other* _____
K-4716-T	Round closed front seat with cover, plastic hinges	<input type="checkbox"/> 0 White	<input type="checkbox"/> Other _____
K-4726-T	Round closed front seat with cover, polished chrome hinges	<input type="checkbox"/> 0 White	<input type="checkbox"/> Other _____
K-4752	Elongated closed front seat with ergonomically contoured cover	<input type="checkbox"/> 0 White	<input type="checkbox"/> Other _____
K-4754	Round closed front seat with ergonomically contoured cover	<input type="checkbox"/> 0 White	<input type="checkbox"/> Other _____

PRODUCT SPECIFICATION:

The molded toilet seat shall be elongated or round front. Toilet seat shall be open or closed front. Toilet seat shall have cover and hinges. Toilet seat shall have ergonomically contoured cover (K-4752 & K-4754). Toilet seat shall be Kohler Model K-_____-_____-_____.



PRODUCT DIAGRAM