

**TRANSFER VALVE**  
**K-408-K**  
**ALSO K-409-K**

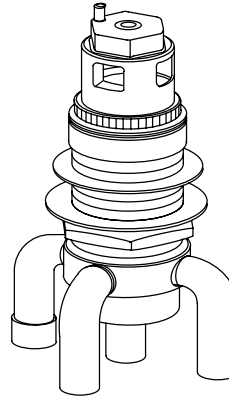
**FEATURES**

- Brass construction
- Intended for use with Kohler non-diverter bath spouts
- Two- or three-way configuration options
- Integral vacuum breaker for backflow prevention
- Bath-mount or deck-mount installation options

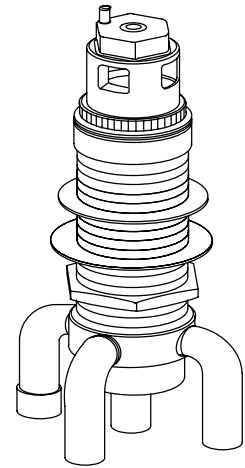
**CODES/STANDARDS APPLICABLE**

Specified model meets or exceeds the following:

- ASME/ANSI A112.18.1M



K-408-K



K-409-K

**COLORS/FINISHES**

- NA Not applicable

**SPECIFIED MODEL:**

Model	Description	
K-408-K	For Bath-Mount Installations	<input type="checkbox"/> NA
K-409-K	For Deck-Mount Installations	<input type="checkbox"/> NA

**PRODUCT SPECIFICATION:**

Two- or three-way transfer valve shall be of brass construction. Product is intended for use with Kohler non-diverter bath spouts. Product shall feature two- or three-way configuration options, and integral vacuum breaker for backflow prevention. Optional feature shall be bath-mount or deck-mount installation. Transfer valve shall be Kohler Model K-\_\_\_\_\_-K-NA.

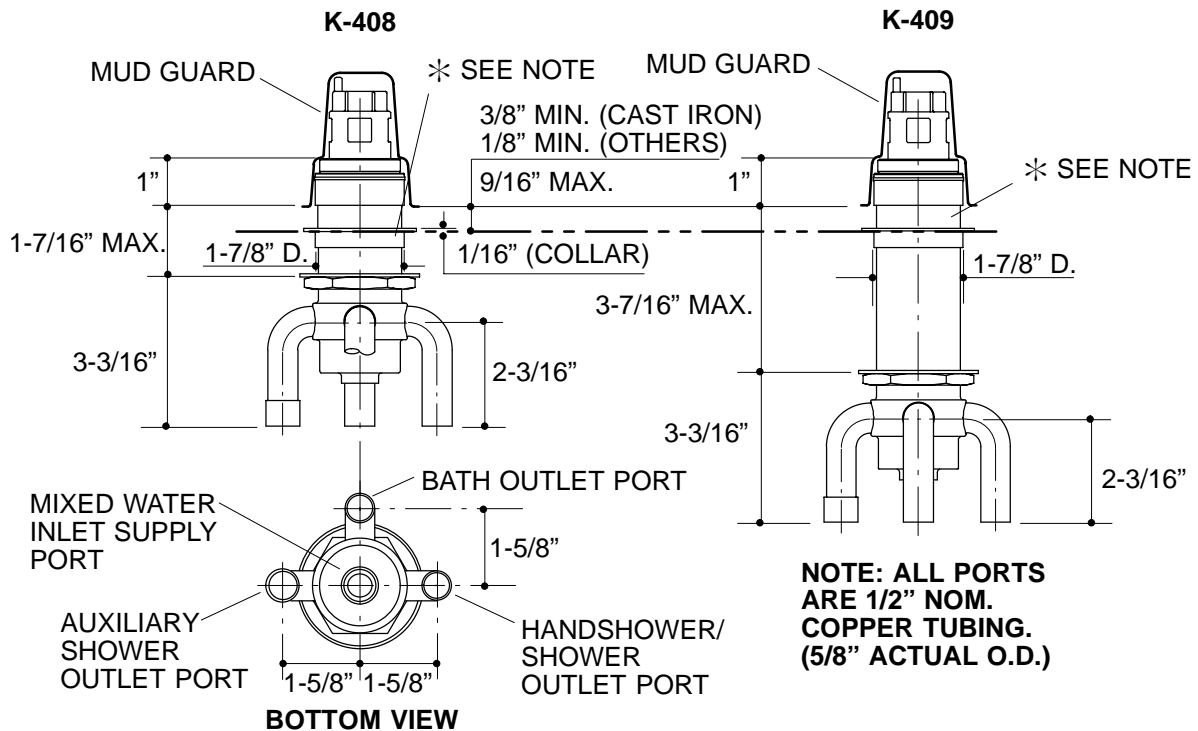
## INSTALLATION NOTES

Bath and handshower outlets required for two-way transfer valve.

Bath, handshower, and auxiliary outlets required for three-way transfer valve.

When used as a two-way transfer valve (bath and handshower), the installer must cap the auxiliary outlet. Do not install spouts with flow restrictors or shower units on the bath outlet.

\* For installation on cast iron baths, collar should be installed with flange facing downward. Opening in cast iron must be 1-7/8" D. minimum.



## PRODUCT DIAGRAM