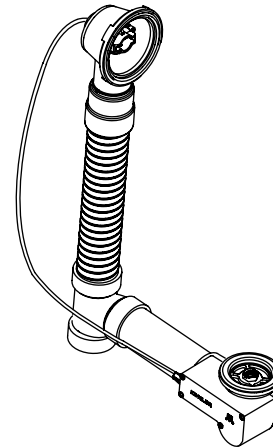


Features

- Metal construction control handle and stopper
- For baths 14" (356 mm) to 26" (660 mm) deep from the center of the bath overflow outlet to the center of the bath drain outlet
- 30" (762 mm) or 45" (1143 mm) length external cable
- Flexible overflow joint conforms to various bath angles
- No internal linkages to minimize the potential for clogging

**CABLE BATH DRAIN
K-37383
ALSO K-37385, K-37386**



Codes/Standards Applicable

Specified model meets or exceeds the following:

- ASME A112.18.1/CSA B125.1
- ASME A112.18.2/CSA B125.2

Colors/Finishes

- CP: Polished Chrome
- Other: Refer to Price Book for additional colors/finishes

Accessories

- CP: Polished Chrome
- Other: Refer to Price Book for additional colors/finishes

Specified Model:

Model	Description	Colors/Finishes	
K-37383	Cable bath drain – 30" (762 mm), with PVC tubing	<input type="checkbox"/> CP	<input type="checkbox"/> Other_____
K-37385	Cable bath drain – 45" (1143 mm), less PVC tubing	<input type="checkbox"/> CP	<input type="checkbox"/> Other_____
K-37386	Cable bath drain – 30" (762 mm), less PVC tubing	<input type="checkbox"/> CP	<input type="checkbox"/> Other_____

Required Accessories			
K-T37391	Cable bath drain trim – Basic Rotary OR	<input type="checkbox"/> CP	<input type="checkbox"/> Other_____
K-T37392	Cable bath drain trim – Contemporary Rotary OR	<input type="checkbox"/> CP	<input type="checkbox"/> Other_____
K-T37393	Cable bath drain trim – Traditional Rotary OR	<input type="checkbox"/> CP	<input type="checkbox"/> Other_____
K-T37394	Cable bath drain trim – Victorian Rotary OR	<input type="checkbox"/> CP	<input type="checkbox"/> Other_____
K-T37395	Cable bath drain trim – Contemporary Push OR	<input type="checkbox"/> CP	<input type="checkbox"/> Other_____
K-T37396	Cable bath drain trim – Traditional Push OR	<input type="checkbox"/> CP	<input type="checkbox"/> Other_____
K-T37397	Cable bath drain trim – Victorian Push	<input type="checkbox"/> CP	<input type="checkbox"/> Other_____

PRODUCT SPECIFICATION

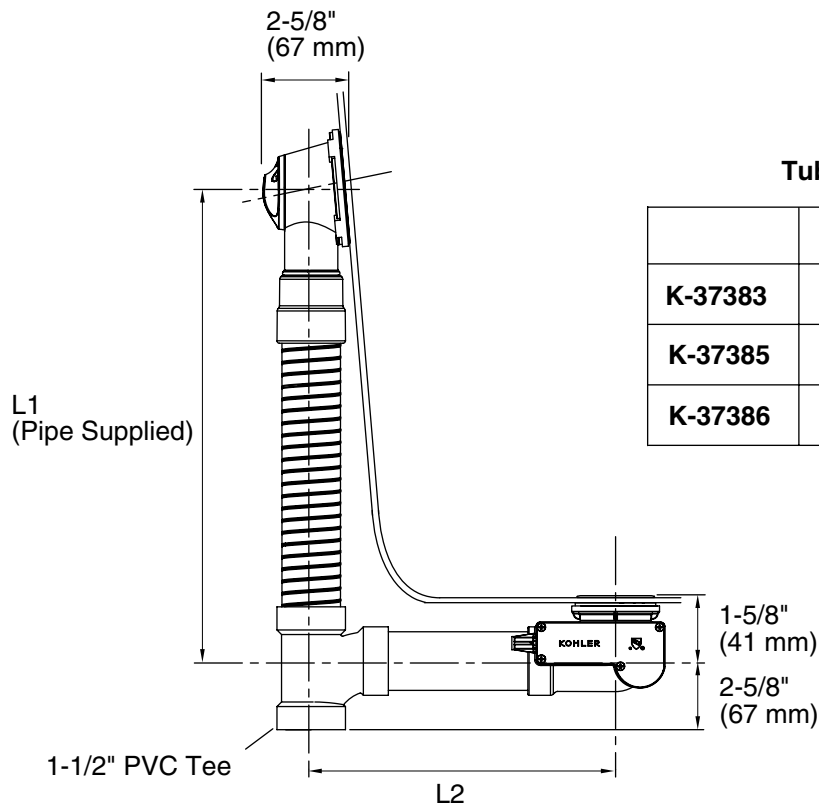
The cable bath drain shall feature a metal constructed control handle and stopper. Cable drain shall be intended for baths which are 14" (356 mm) to 26" (660 mm) deep from the center of the bath overflow outlet to the center of the bath drain outlet. Product shall feature a 30" (762 mm) or 45" (1143 mm) length external cable. Product shall feature flexible overflow joint that will conform to various bath angles. Product shall have no internal linkages to minimize the potential for clogging. Product shall be Kohler Model K-____-____.

PUREFLO™

Installation Notes

Install this product according to the installation guide.

The combined length of the PVC tubing (noted as L1 and L2 in the Product Diagram) after being cut for the bathtub install must be equal to or less than 25" (635 mm) for 30" (762 mm) cable bath drain and 40" (1016 mm) for 45" (1143 mm) cable bath drain.



Tube Length Supplied

	L1	L2
K-37383	21" (533 mm)	9-1/2" (241 mm)
K-37385	26" (660 mm)	NA
K-37386	21" (533 mm)	NA

Product Diagram