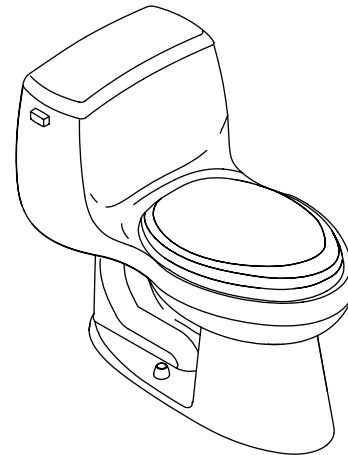


Features

- Vitreous china
- Elongated bowl
- Class Five® flushing system
- One-piece
- Includes seat and cover
- Less supply
- 12" (30.5 cm) rough-in
- 1.28 gpf (4.8 lpf)
- 2-1/8" (5.4 cm) glazed trapway
- 11" (27.9 cm) x 8-1/2" (21.6 cm) water area
- 28-3/8" (72.1 cm) x 18-3/4" (47.6 cm) x 28" (71.1 cm)

COMFORT HEIGHT® COMPACT TOILET K-3615



Codes/Standards Applicable

Specified model meets or exceeds the following:

- ADA
- ICC/ANSI A117.1
- ASME A112.19.2/CSA B45.1
- EPA WaterSense®

Colors/Finishes

- 0: White
- Other: Refer to Price Book for additional colors/finishes

Accessories

- 0: White
- CP: Polished Chrome
- PB: Vibrant® Polished Brass
- Other: Refer to Price Book for additional colors/finishes

Specified Model

Model	Description	Trip Lever	Colors/Finishes	
K-3615	Comfort Height® compact toilet	left-hand	<input type="checkbox"/> 0	<input type="checkbox"/> Other_____
K-3615-RA	Comfort Height compact toilet	right-hand	<input type="checkbox"/> 0	<input type="checkbox"/> Other_____

Recommended Accessories				
K-7637	Angle supply with stop		<input type="checkbox"/> CP	<input type="checkbox"/> PB <input type="checkbox"/> Other_____
K-4650	Lustra™ open front toilet seat – for Accessibility compliance	<input type="checkbox"/> 0		<input type="checkbox"/> Other_____

Product Specification

The compact one-piece elongated bowl toilet shall be made of vitreous china. Toilet shall be 28-3/8" (72.1 cm) in length, 18-3/4" (47.6 cm) in width, and 28" (71.1 cm) in height. Toilet shall have an 11" (27.9 cm) x 8-1/2" (21.6 cm) water area. Toilet shall be 12" (30.5 cm) rough-in with a 2-1/8" (5.4 cm) glazed trapway and less supply. Toilet shall have a Class Five flushing system with a flush rate of 1.28 gpf (4.8 lpf). Toilet shall include seat and cover. Toilet shall be Kohler Model K-3615-_____.

GABRIELLE™

Optional Accessories

K-9464-L	Left-hand trip lever – non-CP	<input type="checkbox"/> PB	<input type="checkbox"/> Other_____
K-9464-R	Right-hand trip lever – non-CP	<input type="checkbox"/> PB	<input type="checkbox"/> Other_____

Technical Information

Fixture:	
Configuration	one-piece, elongated
Water per flush	1.28 gal (4.8 L)
Passageway	2-1/8" (5.4 cm)
Water area	11" (27.9 cm) x 8-1/2" (21.6 cm)
Water depth from rim	6" (15.2 cm)
Seat post hole centers	5-1/2" (14 cm)

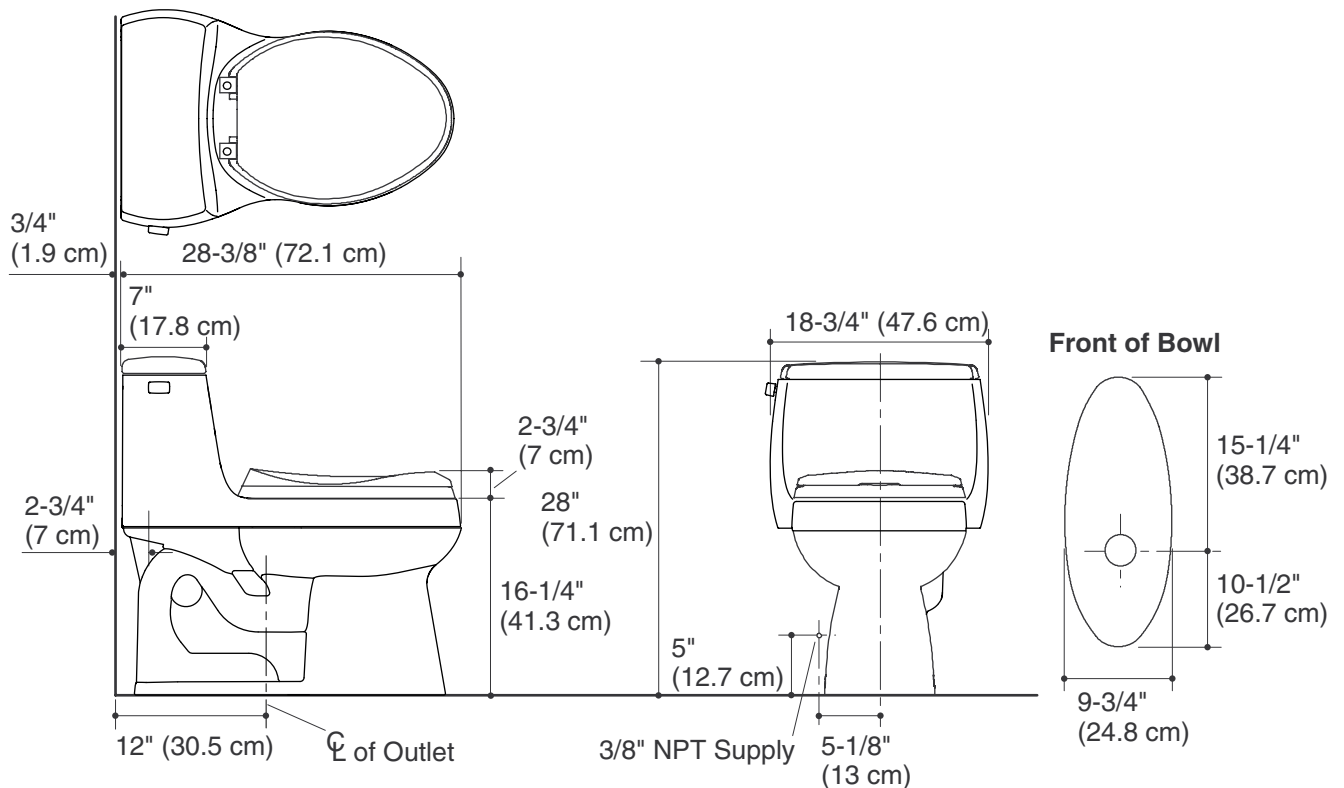
Included components:

Tank cover	85407
Left-hand trip lever OR	1025329
Right-hand trip lever	1025330
Toilet seat	K-4713
Tank accessory pack	52265
Bolt cap accessory pack	52048

Installation Notes

Install this product according to the installation guide.

Will comply with the American Disabilities Act (**ADA**) when installed per the requirements of the Accessibility Guidelines, Section 604 Water Closets, of the Act. The Model Plumbing Codes require the installation of elongated open-front toilet seats in public bathrooms.



Product Diagram