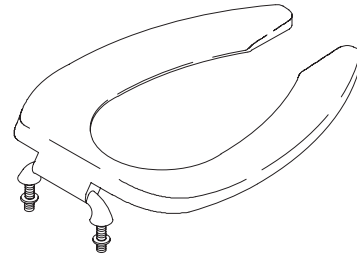


COMMERCIAL TOILET SEAT

K-4666/67, K-4670-72, K-4679-81

FEATURES

- Elongated or round front
- Solid plastic
- Open or closed front
- Without cover
- With check hinge
- Includes an anti-microbial agent formed into the plastic which inhibits the growth of bacteria and germs on the toilet seat (-A)
- 2" (5.1cm) toilet seat makes the following toilet installations ADA compliant where the toilet has a rim-to-floor height of 15" (38.1cm) to 17" (43.2cm) (K-3546, K-4329, K-4330, K-4386 and K-4396)



CODES/STANDARDS APPLICABLE

Specified model meets or exceeds the following:

- None applicable

COLORS/FINISHES

- 0 White
- Other Refer to Fixtures Price Book for additional colors

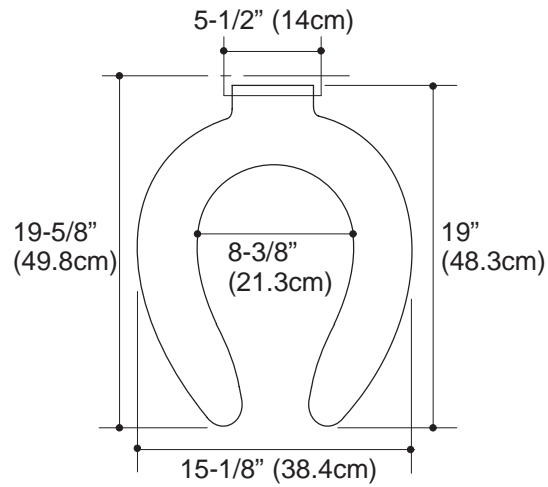
SPECIFIED MODEL:

Model	Description	Colors/Finishes
K-4666-C	Extra heavy elongated open front seat with check hinge, less cover	<input type="checkbox"/> 0 White
K-4666-SC	Same as K-4666-C except with self-sustaining check hinge	<input type="checkbox"/> 0 White
K-4666-CA	Same as K-4666-C except with anti-microbial agent toilet seat	<input type="checkbox"/> 0 White
K-4666-SA	Same as K-4666-CA except with self-sustaining check hinge	<input type="checkbox"/> 0 White
K-4667-C	Extra heavy elongated open front seat with check hinge, less cover	<input type="checkbox"/> Other _____
K-4670-C	Elongated open front seat with check hinge, less cover	<input type="checkbox"/> 0 White <input type="checkbox"/> Other _____
K-4670-SC	Same as K-4670-C except with self-sustaining check hinge	<input type="checkbox"/> 0 White
K-4670-CA	Same as K-4670-C except with anti-microbial agent toilet seat	<input type="checkbox"/> 0 White
K-4670-SA	Same as K-4670-CA except with self-sustaining check hinge	<input type="checkbox"/> 0 White
K-4671-C	Elongated open front seat with check hinge, less cover	<input type="checkbox"/> Other _____
K-4671-SC	Same as K-4671-C except with self-sustaining check hinge	<input type="checkbox"/> Other _____
K-4672	Elongated open front seat with self-raising hinge, less cover	<input type="checkbox"/> 0 White
K-4679-CA	Same as K-4670-C except with anti-microbial agent toilet seat and 1" (2.5cm) high bumpers	<input type="checkbox"/> 0 White
K-4680-C	Round open front seat with check hinge, less cover	<input type="checkbox"/> 0 White
K-4680-CA	Same as K-4680-C except with anti-microbial agent toilet seat	<input type="checkbox"/> 0 White
K-4681-C	Round open front seat with check hinge, less cover	<input type="checkbox"/> Other _____

PRODUCT SPECIFICATION:

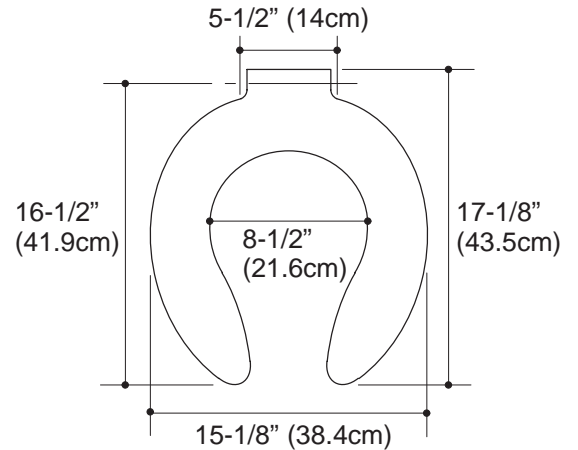
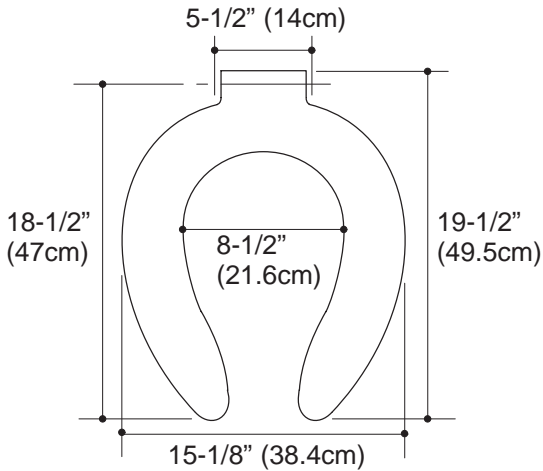
The toilet seat shall be elongated or round front. Toilet seat shall be made of solid plastic. Toilet seat shall be open or closed front. Toilet seat shall be without cover. Toilet seat shall have check hinge. Toilet seat shall have anti-microbial agent which inhibits the growth of bacteria and germs (-A). Toilet seat 2" (5.1cm) height makes the following toilet installations ADA compliant where the toilet has a rim-to-floor height of 15" (38.1cm) to 17" (43.2cm) (K-3546, K-4329, K-4330, K-4386 and K-4396). Toilet seat shall be Kohler Model K-_____-_____-_____.

K-4670-C
K-4670-SC
K-4670-CA
K-4670-SA
K-4671-C
K-4671-SC
K-4672



K-4666-C
K-4666-SC
K-4666-CA
K-4666-SA
K-4667-C
K-4679-CA

K-4680-C
K-4680-CA
K-4681-C



PRODUCT DIAGRAM