

Features

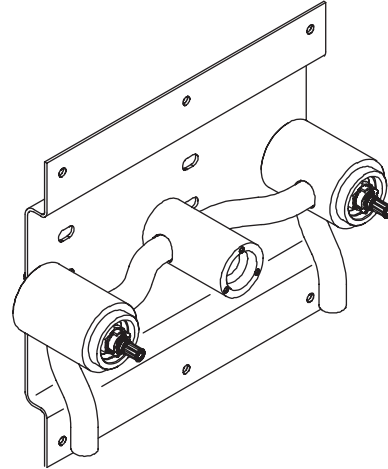
- Brass construction
- 2.2 gallons (8.3 L) per minute maximum flow rate
- Dual control wall-mounted

Codes/Standards Applicable

Specified model meets or exceeds the following:

- ASME A112.18.1/CSA B125.1
- Energy Policy Act of 1992
- IAPMO/UPC
- NSF 61

**TWO-HANDLE CERAMIC VALVE
K-410-K**



Colors/Finishes

- NA: None applicable

Specified Model

Model	Description	Colors/Finishes
K-410-K	Two-handle ceramic valve	<input type="checkbox"/> NA

PRODUCT SPECIFICATION

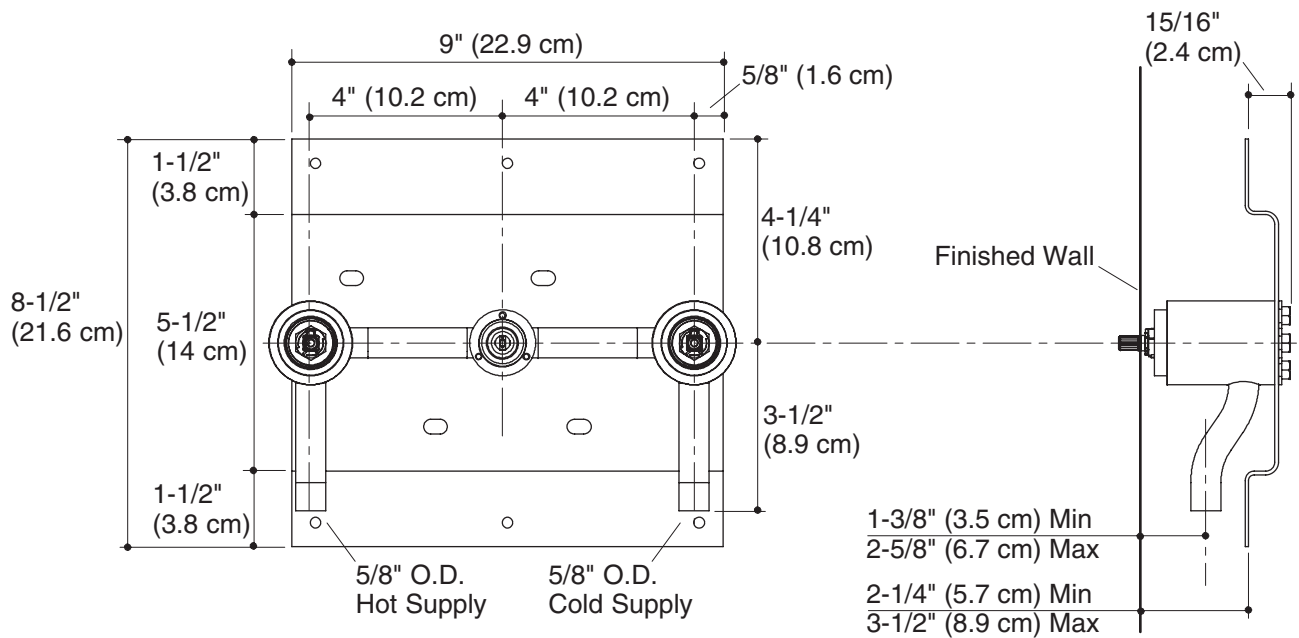
The two-handle ceramic valve shall be of brass construction. Valve shall have a maximum flow rate of 2.2 gallons (8.3 L) per minute. Valve shall be for dual control wall-mounted installation. Valve shall be Kohler Model K-410-K-NA.

Installation Notes

Install this product according to the installation guide.

Three 1-1/2" (3.8 cm) D. cutout holes required for spout and handles.

Follow the installation dimensions precisely as there is no deep roughing-in kit available for this product.



Product Diagram

TWO-HANDLE CERAMIC VALVE

Page 2 of 2
1008172-4-E

THE BOLD LOOK
OF **KOHLER**