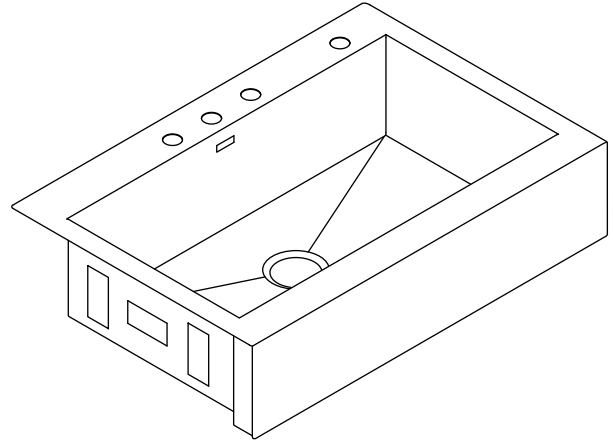


### Features

- 18-gauge stainless steel
- Drop-in, apron front
- Large single basin
- Includes installation hardware
- 35-3/4" (908 mm) x 24-5/16" (618 mm) x 9-5/16" (237 mm)
- Use for standard 36" (914 mm) cabinet

### TOP-MOUNT APRON FRONT KITCHEN SINK K-3942



### Codes/Standards Applicable

Specified model meets or exceeds the following:

- ASME A112.19.3/CSA B45.4

### Colors/Finishes

- NA: None applicable

### Accessories

- CP: Polished Chrome
- ST: Stainless Steel
- Other: Refer to Price Book for additional colors/finishes

### Specified Model

Model	Description	Colors/Finishes
K-3942-1	Top-mount apron front kitchen sink – single-hole	<input type="checkbox"/> NA
K-3942-3	Top-mount apron front kitchen sink – 3-hole	<input type="checkbox"/> NA
K-3942-4	Top-mount apron front kitchen sink – 4-hole (shown)	<input type="checkbox"/> NA

Optional Accessories			
K-6474	Bottom basin rack	<input type="checkbox"/> ST	
K-8801	Duostrainer® sink strainer	<input type="checkbox"/> CP	<input type="checkbox"/> Other_____

### Product Specification

The top-mount apron front sink shall be made of 18-gauge stainless steel. Sink shall have large single basin. Sink shall include installation hardware. Sink shall be 35-3/4" (908 mm) in length, 24-5/16" (618 mm) in width, and 9-5/16" (237 mm) in depth. Sink shall be used for standard 36" (914 mm) cabinet. Sink shall be Kohler Model K-3942-\_\_\_\_\_-NA.

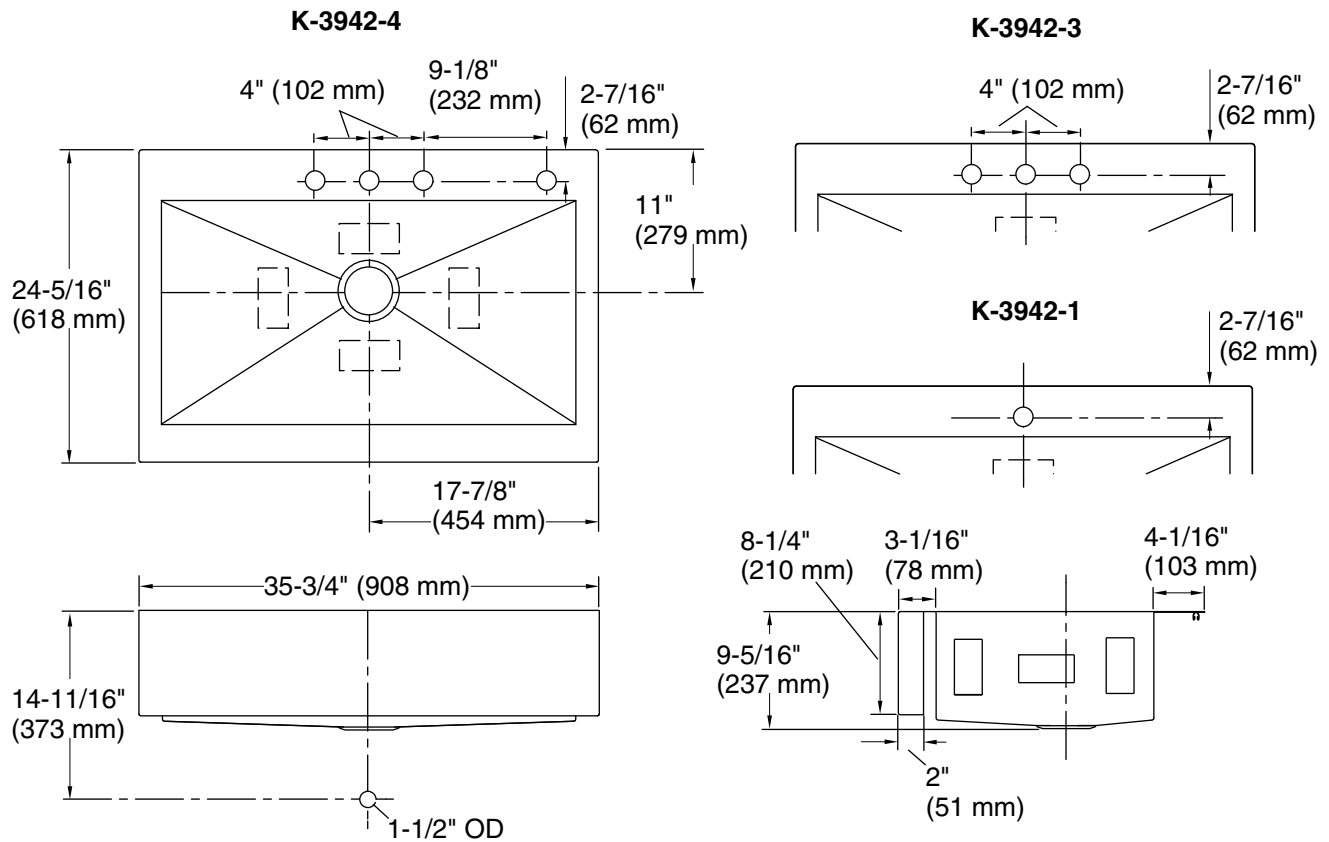
## Technical Information

Fixture*:	
Basin area	32-1/2" (826 mm) x 22-5/16" (567 mm)
Water depth	9" (229 mm)
Drain hole	Ø 3-5/8" (92 mm)
*Approximate measurements for comparison only.	

Included components:	
Back clip hardware kit	1130570
Pre-Installation Sink, Counter & Cabinet Compatibility template kit	1178341
Cut-out template	1166717-7
Side clip hardware kit	1173293

## Installation Notes

Install this product according to the installation guide.



## Product Diagram