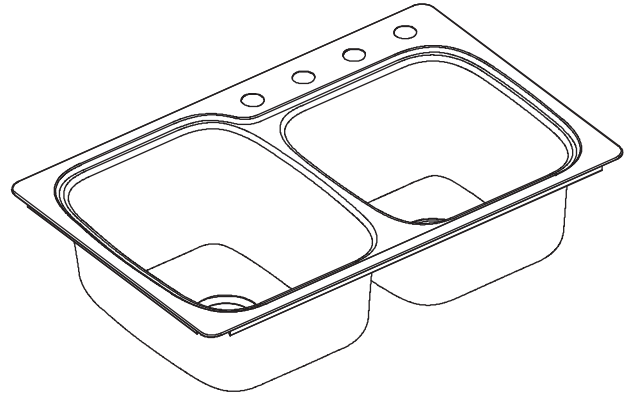


### Features

- 18-gauge stainless steel
- Top-mount
- Double (large/medium) bowl
- Includes installation hardware
- 4-hole (-4), 3-hole (-3), or single-hole (-1)
- 33" (838 mm) x 22" (559 mm)

### TOP-MOUNT KITCHEN SINK K-3372



### Codes/Standards Applicable

Specified model meets or exceeds the following:

- ASME A112.19.3/CSA B45.4

### Colors/Finishes

- NA: None applicable

### Accessories

- CP: Polished Chrome
- ST: Stainless Steel
- NA: None applicable
- Other: Refer to Price Book for additional colors/finishes

### Specified Model

Model	Description	Colors/Finishes
K-3372-4	Top-mount kitchen sink – 4-hole	<input type="checkbox"/> NA
K-3372-3	Top-mount kitchen sink – 3-hole	<input type="checkbox"/> NA
K-3372-1	Top-mount kitchen sink – single-hole	<input type="checkbox"/> NA

Optional Accessories		
K-3119	Hardwood cutting board (for right bowl)	<input type="checkbox"/> NA
K-3132	Stainless steel bottom bowl rack (for left bowl)	<input type="checkbox"/> ST
K-3129	Stainless steel bottom bowl rack (for right bowl)	<input type="checkbox"/> ST
K-8801	Duostrainer® sink strainer	<input type="checkbox"/> CP <input type="checkbox"/> Other_____
K-8813	Stainless steel sink strainer with tailpiece	<input type="checkbox"/> CP
K-8814	Stainless steel sink strainer, less tailpiece	<input type="checkbox"/> CP
1177161	Hardware kit for countertop with 2-1/2" (64 mm) thickness or less	<input type="checkbox"/> NA

### Product Specification

The top-mount kitchen sink shall be made of 18 gauge stainless steel. Sink shall be 33" (838 mm) in length and 22" (559 mm) in width. Sink shall feature double (large/medium) bowls. Sink shall be 4-hole (-4), 3-hole (-3), or single-hole (-1). Sink shall include installation hardware. Sink shall be Kohler Model K-3372-\_\_\_\_-NA.

## Technical Information

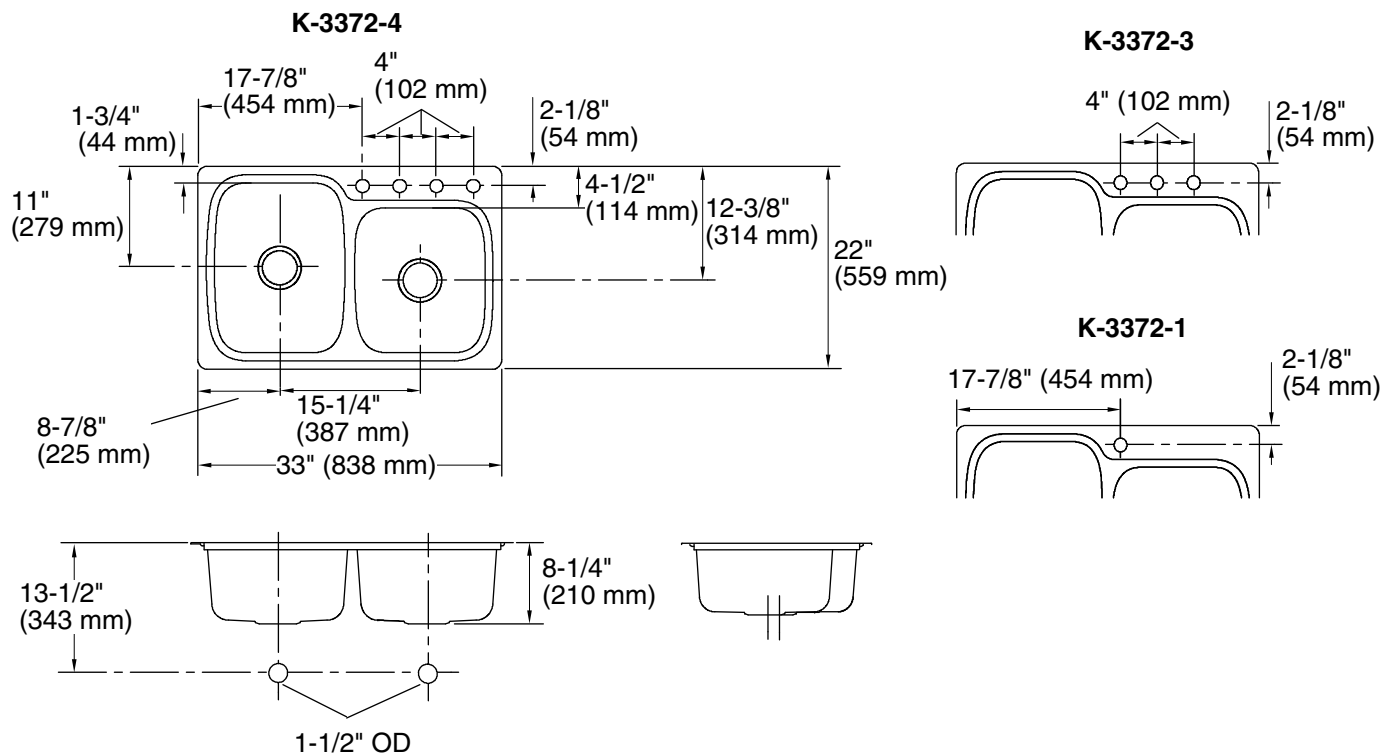
Fixture*:	
Bowl area, left	14-1/4" (362 mm) x 18-1/2" (470 mm)
Bowl area, right	14-1/4" (362 mm) x 15-3/4" (400 mm)
Water depth	8" (203 mm)
Drain hole	Ø 3-5/8" (92 mm)
Faucet holes	Ø 1-7/16" (37 mm)
* Approximate measurements for comparison only.	

Included components:	
Hardware kit – top-mount	1177160

## Installation Notes

Install this product according to the installation guide.

Cut-out is 32-1/2" (826 mm) x 21-1/2" (546 mm) with 3/4" (19 mm) radius corners.



## Product Diagram