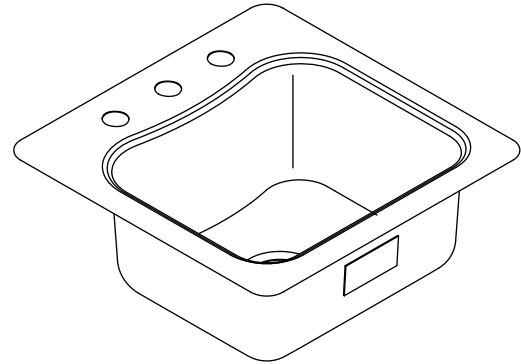


Features

- 18-gauge stainless steel
- Top-mount
- Single compartment
- Includes installation hardware
- 3-hole (-3), 2-hole (-2) or single hole (-1)
- 20" (508 mm) x 20" (508 mm)

TOP-MOUNT KITCHEN SINK K-3363



Codes/Standards Applicable

Specified model meets or exceeds the following:

- ASME A112.19.3/CSA B45.4

Colors/Finishes

- NA: None applicable

Accessories

- CP: Polished Chrome
- NA: None applicable
- Other: Refer to Price Book for additional colors/finishes

Specified Model

Model	Description	Colors/Finishes
K-3363-3	Top-mount kitchen sink – 3-hole (shown)	<input type="checkbox"/> NA
K-3363-2	Top-mount kitchen sink – 2-hole	<input type="checkbox"/> NA
K-3363-1	Top-mount kitchen sink – 1-hole	<input type="checkbox"/> NA

Optional Accessories			
K-3367	Hardwood cutting board	<input type="checkbox"/> NA	
K-5917	Countertop cutting board	<input type="checkbox"/> NA	
K-8801	Duostrainer® sink strainer	<input type="checkbox"/> CP	<input type="checkbox"/> Other_____
K-8803 with K-8804	Duostrainer sink strainer	<input type="checkbox"/> CP	<input type="checkbox"/> Other_____
K-8813	Duostrainer sink strainer	<input type="checkbox"/> CP	<input type="checkbox"/> Other_____
K-8814	Sink strainer	<input type="checkbox"/> CP	<input type="checkbox"/> Other_____

Product Specification

The top-mount kitchen sink shall be made of 18-gauge stainless steel. Sink shall be 20" (508 mm) in length and 20" (508 mm) in width. Sink shall be single compartment. Sink shall be available with 3-hole (-3), 2-hole (-2) or single hole (-1). Sink shall include installation hardware. Sink shall be Kohler Model K-3363-____-____.

STACCATO™

Technical Information

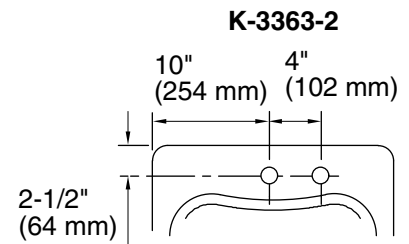
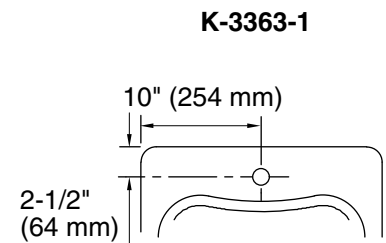
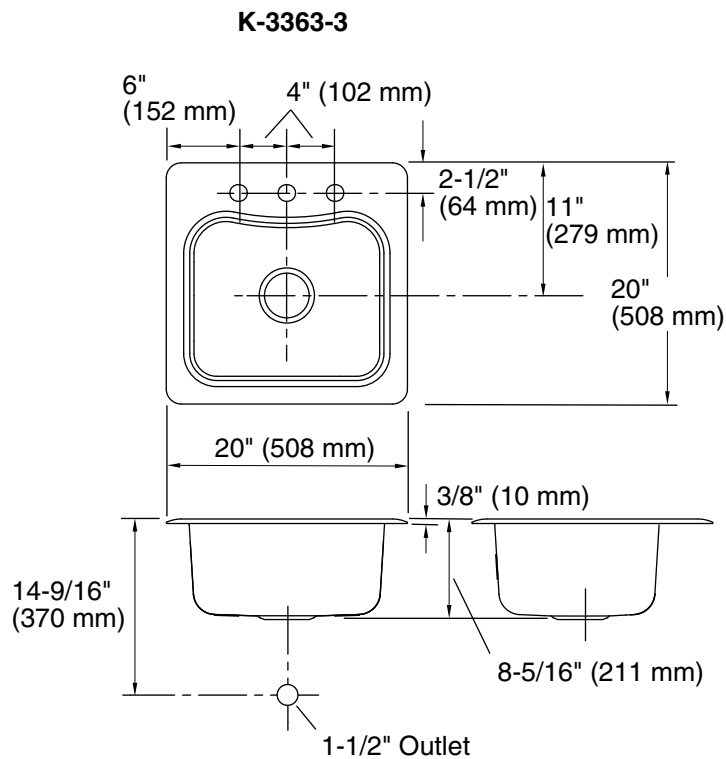
Fixture*:	
Bowl area	16-1/8" (410 mm) x 13-9/16" (344 mm)
Water depth	8" (203 mm)
Drain Hole	Ø 3-5/8" (92 mm)
Faucet holes	Ø 1-7/16" (37 mm)
* Approximate measurements for comparison only.	

Included components:	
Installation hardware	1036072

Installation Notes

Install this product according to the installation guide.

Cut-out is 19-1/2" (495 mm) x 19-1/2" (495 mm) with 1" (25 mm) radius corners.



Product Diagram