

UNDER-MOUNT SINK K-3335

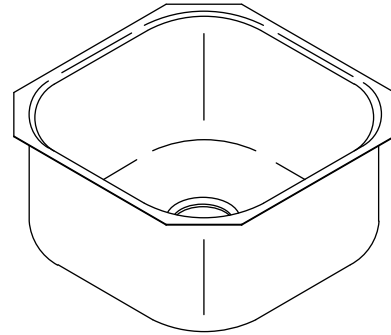
Features

- 18-gauge stainless steel
- Under-mount
- Single bowl
- Rounded bowl(s)
- Includes installation hardware
- 17-7/8" (454 mm) x 17-7/8" (454 mm)

Codes/Standards Applicable

Specified model meets or exceeds the following:

- ASME A112.19.3/CSA B45.4



Colors/Finishes

- NA: None applicable

Accessories

- CP: Polished Chrome
- 0: White
- NA: None applicable
- Other: Refer to Price Book for additional colors/finishes

Specified Model

Model	Description	Colors/Finishes
K-3335	Under-mount sink	<input type="checkbox"/> NA

Optional Accessories		
K-2989	Countertop cutting board	<input type="checkbox"/> NA
K-3191	Bottom bowl rack	<input type="checkbox"/> 0 <input type="checkbox"/> Other _____
K-3279	Wire rinse basket	<input type="checkbox"/> 0 <input type="checkbox"/> Other _____
K-8801	Duostrainer® sink strainer	<input type="checkbox"/> CP <input type="checkbox"/> Other _____
K-8813	Stainless steel sink strainer with tailpiece	<input type="checkbox"/> CP
K-8814	Stainless steel sink strainer, less tailpiece	<input type="checkbox"/> CP

Product Specification

The under-mount sink shall be 17-7/8" (454 mm) in length and 17-7/8" (454 mm) in width. Sink shall be made of 18-gauge stainless steel. Sink shall be single rounded bowl. Sink shall include installation hardware. Sink shall be Kohler Model K-3335-NA.

UNDERTONE™

Technical Information

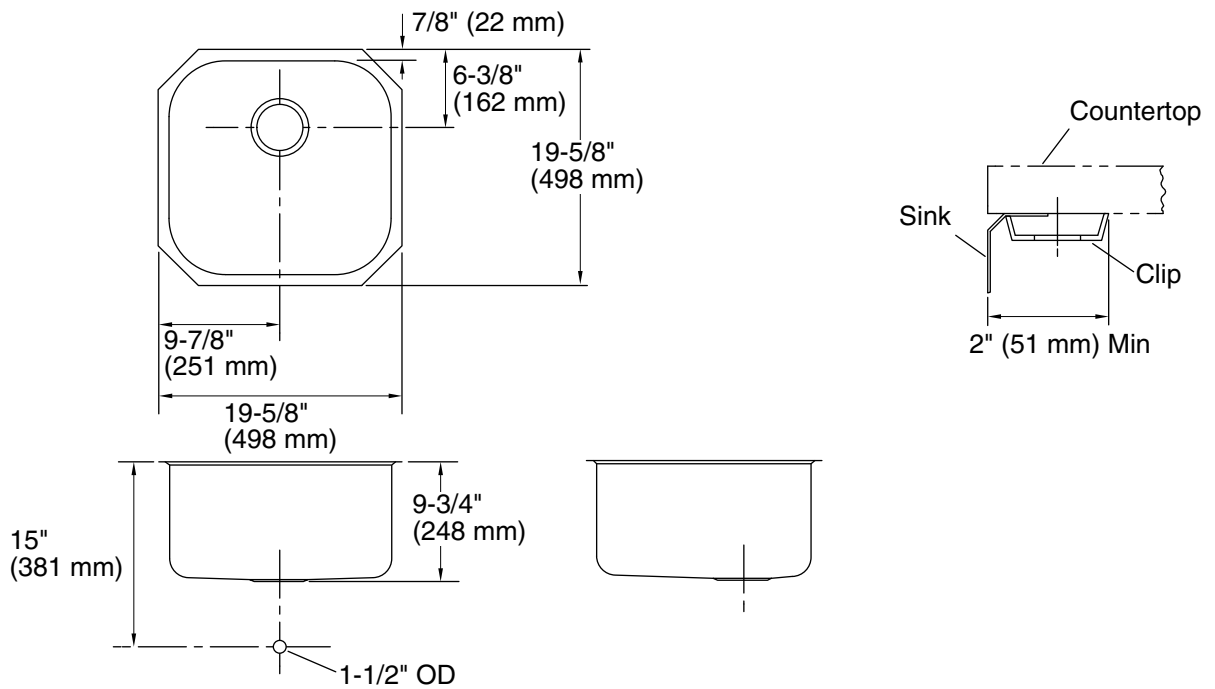
Fixture*:	
Bowl area	17-7/8" (454 mm) x 17-7/8" (454 mm)
Water depth	9-1/2" (241 mm)
Drain hole	Ø 3-5/8" (92 mm)
* Approximate measurements for comparison only.	

Included components:	
Hardware kit	91915
Cut-out template	113196-7

Installation Notes

Install this product according to the installation guide.

Allow a minimum of 2" (51 mm) clearance around the sink rim for clip attachment.



Product Diagram