

UNDER-MOUNT SINK K-3330

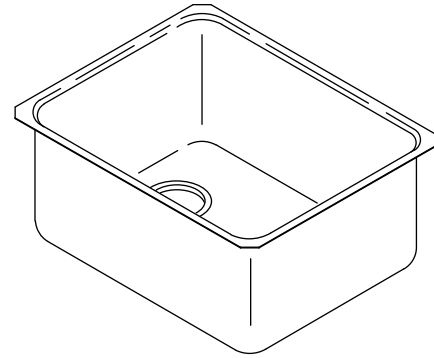
Features

- 18-gauge stainless steel
- Under-mount
- Single bowl
- Squared bowl(s)
- Includes installation hardware
- 14" (356 mm) x 15-3/4" (400 mm)

Codes/Standards Applicable

Specified model meets or exceeds the following:

- ASME A112.19.3/CSA B45.4



Colors/Finishes

- NA: None applicable

Accessories

- 0: White
- CP: Polished Chrome
- NA: None applicable
- Other: Refer to Price Book for additional colors/finishes

Specified Model

Model	Description	Colors/Finishes
K-3330	Under-mount sink	<input type="checkbox"/> NA

Optional Accessories					
K-3190	Bottom bowl rack	<input type="checkbox"/> 0			<input type="checkbox"/> Other _____
K-3277	Wire rinse basket	<input type="checkbox"/> 0			<input type="checkbox"/> Other _____
K-3294	Hardwood cutting board		<input type="checkbox"/> NA		
K-8801	Duostrainer® sink strainer			<input type="checkbox"/> CP	<input type="checkbox"/> Other _____
K-8813	Stainless steel sink strainer with tailpiece			<input type="checkbox"/> CP	
K-8814	Stainless steel sink strainer less tailpiece			<input type="checkbox"/> CP	

Product Specification

The under-mount sink shall be 14" (356 mm) in length and 15-3/4" (400 mm) in width. Sink shall be made of 18-gauge stainless steel. Sink shall be single squared bowl. Sink shall include installation hardware. Sink shall be Kohler Model K-3330-NA.

UNDERTONE®

Technical Information

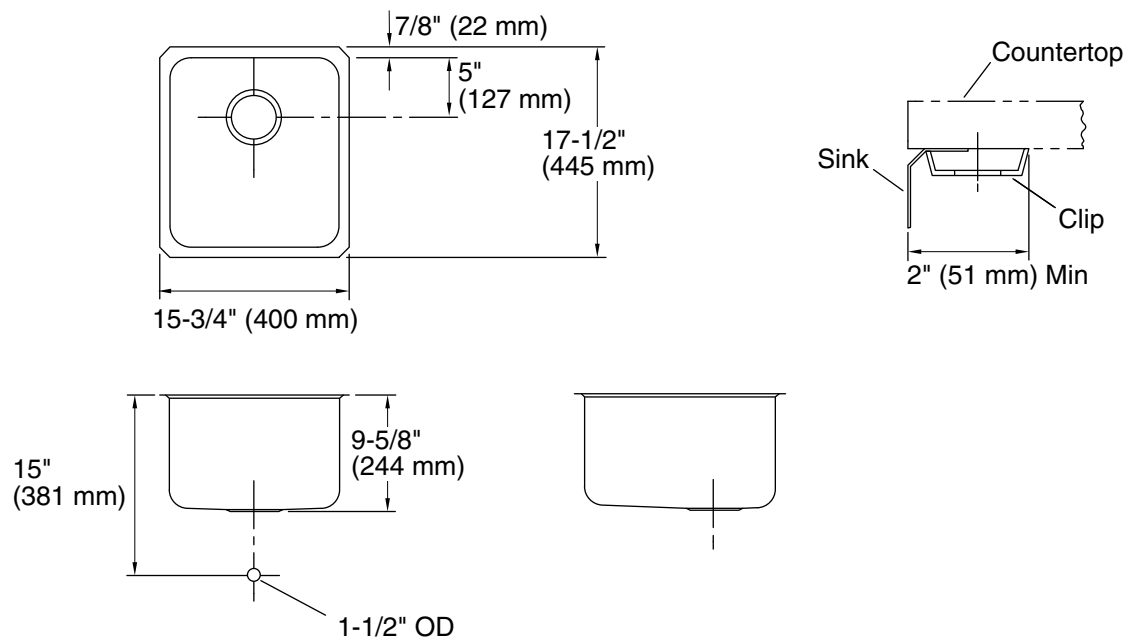
Fixture*:	
Bowl area	14" (356 mm) x 15-3/4" (400 mm)
Water depth	9-1/2" (241 mm)
Drain hole	Ø 3-5/8" (92 mm)
* Approximate measurements for comparison only.	

Included components:	
Hardware kit	91915
Cut-out template	111134-7

Installation Notes

Install this product according to the installation guide.

Allow a minimum of 2" (51 mm) clearance around the sink rim for clip attachment.



Product Diagram