

FEATURES

- 12" (30.5cm) rough-in
- Elongated Vitreous china bowl
- One-piece, compact
- Comfort height
- 16-1/8" (41cm) high bowl with seat is ADA compliant
- 1.6 gpf (6 lpf)
- 2" (5.1cm) glazed trapway
- 10-1/2" (26.7cm) x 9" (22.9cm) water area
- Excludes seat and cover
- Excludes trip lever
- Less supply
- EPDM flapper

CODES/STANDARDS APPLICABLE

Specified model meets or exceeds the following:

- ADA
- ASME/ANSI A112.19.2M
- ASME/ANSI A112.19.6M
- Energy Policy Act of 1992 (EPACT)
- IAPMO/UPC
- CSA International B45

COLORS/FINISHES

- 0 White
- Other Refer to Fixtures Price Book for additional colors

Accessories:

- CP Polished Chrome
- SN Silver Nickel
- BN Polished Nickel
- AF French Gold
- Other Refer to Price Book for additional colors

SPECIFIED MODEL:

Model	Description	Colors/Finishes	
K-3324	Elongated bowl toilet	<input type="checkbox"/> 0 White	<input type="checkbox"/> Other_____

Recommended Accessories				
K-7637	Angle supply with stop	<input type="checkbox"/> CP	<input type="checkbox"/> PB	<input type="checkbox"/> Other_____

Required Accessories						
K-9451	Trip lever	<input type="checkbox"/> CP	<input type="checkbox"/> SN	<input type="checkbox"/> BN	<input type="checkbox"/> AF	<input type="checkbox"/> Other_____
K-9438	Trip lever alternate option	<input type="checkbox"/> CP	<input type="checkbox"/> SN	<input type="checkbox"/> BN	<input type="checkbox"/> AF	<input type="checkbox"/> Other_____
K-4701	Elongated closed toilet seat					

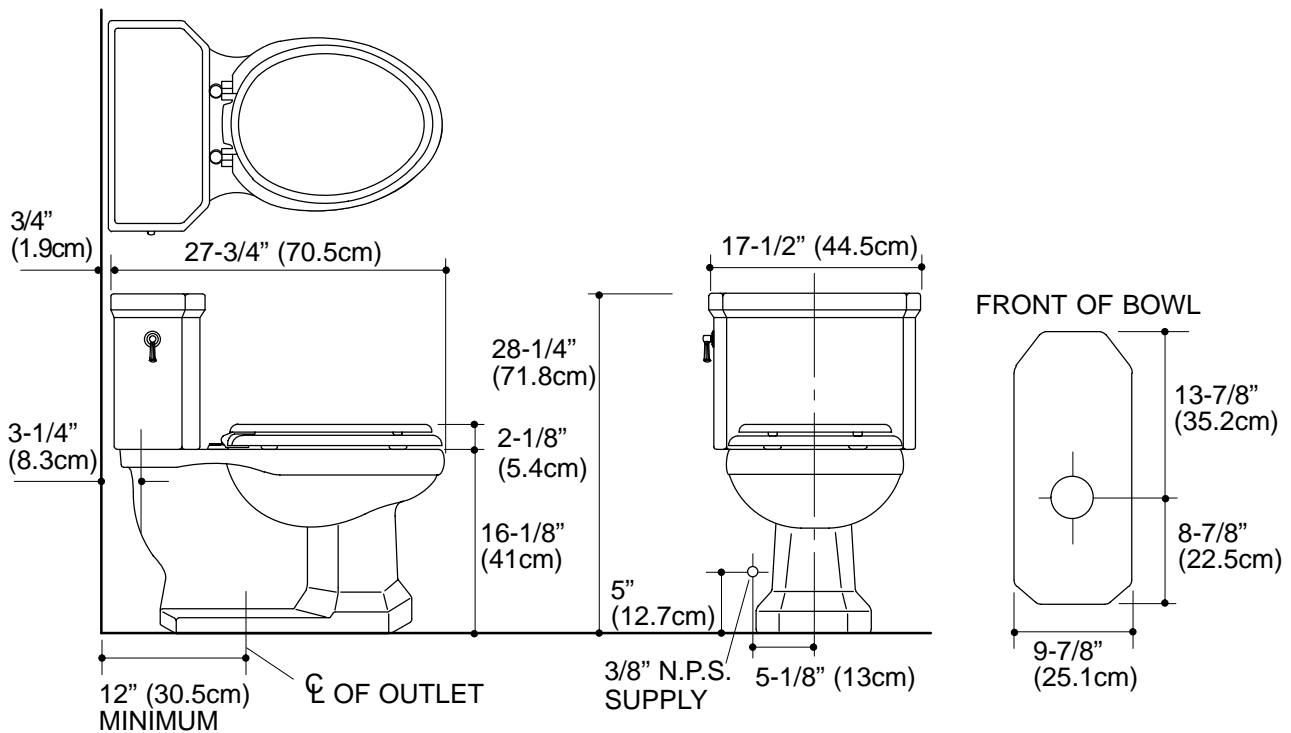
PRODUCT SPECIFICATION:

The elongated 1-piece compact toilet shall be 12" (30.5cm) rough-in. Toilet shall be made of vitreous china. Toilet shall be at comfort height. Toilet shall be 1.6 gpf (6 lpf). Toilet shall have 2" (5.1cm) glazed trapway. Toilet shall have 10-1/2" (26.7cm) x 9" (22.9cm) water area. Toilet shall exclude seat and cover, and trip lever. Toilet shall be ADA compliant with 16-1/8" (41cm) high bowl. Toilet shall be less supply. Toilet shall have EPDM flapper. Toilet shall be Kohler Model K-_____.

KATHRYN COMFORT HEIGHT™

PRODUCT INFORMATION

ADA compliant:	
Fixture:	
Configuration	1-piece, compact elongated
Gallons per flush	1.6 gallons (6 L)
Passageway	2" (5.1cm)
Water area	10-1/2" (26.7cm) x 9" (22.9cm)
Water depth from rim	6" (15.2cm)
Seat post hole centers	5-1/2" (14cm)
Included Components:	
Tank cover	1006066
Bolt cap accessory pack	52048
Tank accessory pack	52265



116

PRODUCT DIAGRAM

K-3324 Kathryn Comfort Height™ Toilet

Page 2 of 2
1006479-4-A

THE BOLD LOOK
KOHLER