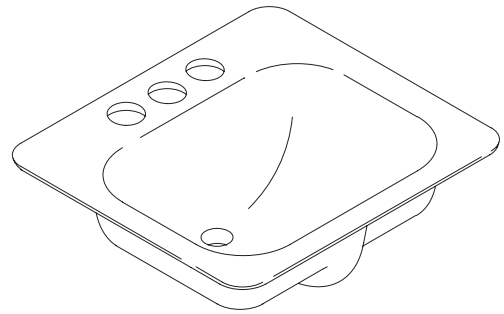


UNDERCOUNTER LAVATORY

FEATURES

- 16" (40.6cm) x 12" (30.5cm)
- Cast iron
- Undercounter
- 8" (20.3cm) centers (K-2890-8U), or 4" (10.2cm) centers (K-2890-4U)
- Faucet holes are oversized to accommodate single-hole centermount or widespread faucet (K-2890-8U)
- Faucet holes are oversized to accommodate single-hole centermount or centerset faucet (K-2890-4U)
- ADA compliant

ADA



CODES/STANDARDS APPLICABLE

Specified model meets or exceeds the following:

- ADA
- ASME/ANSI A112.19.1M
- CABO/ANSI A117.1
- IAPMO/UPC
- Canadian Standards Association (CSA)
- State of Massachusetts

COLORS/FINISHES

- 0 White
- Other Refer to Fixtures Price Book for additional colors

Accessories:

- CP Polished Chrome
- Other Refer to Faucets Price Book for additional finishes

SPECIFIED MODEL:

Model	Description	Colors/Finishes	
K-2890-8U	8" (20.3cm) centers lavatory	<input type="checkbox"/> 0 White	<input type="checkbox"/> Other _____
K-2890-4U	4" (10.2cm) centers lavatory	<input type="checkbox"/> 0 White	<input type="checkbox"/> Other _____

Recommended Accessories			
K-8998	Trap	<input type="checkbox"/> CP	<input type="checkbox"/> Other _____

PRODUCT SPECIFICATION:

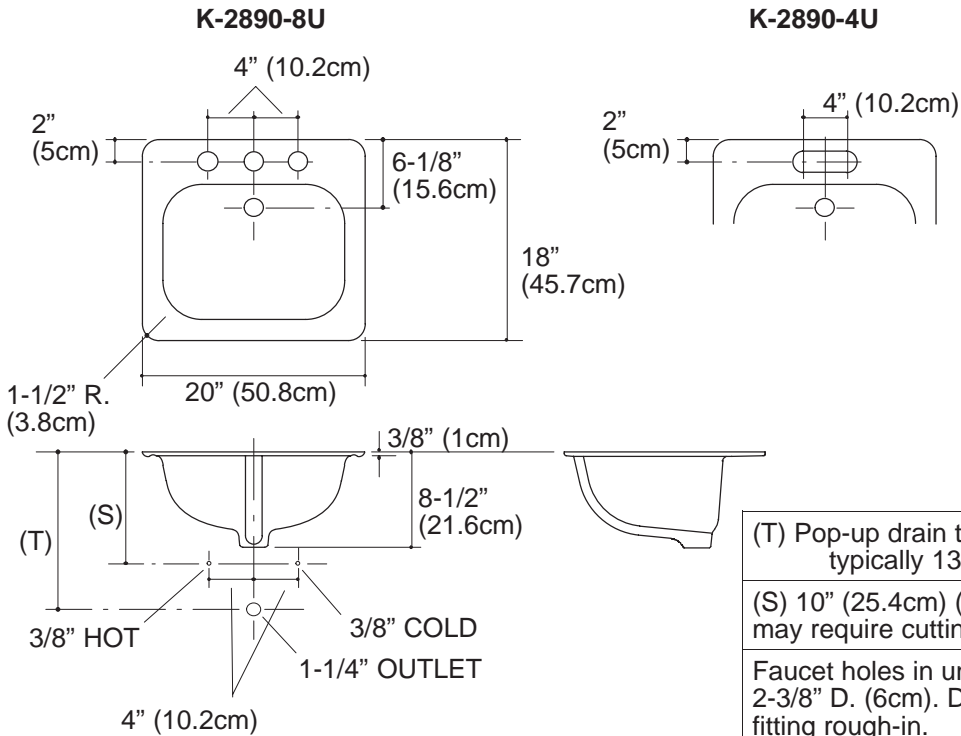
The undercounter lavatory shall be 16" (40.6cm) in length, and 12" (30.5cm) in width. Lavatory shall be made of cast iron. Lavatory shall have 8" (20.3cm) centers (K-2890-8U), or 4" (10.2cm) centers (K-2890-4U). Lavatory shall have oversized faucet holes to accommodate single-hole centermount, centerset, or widespread faucet. Lavatory shall be ADA compliant. Lavatory shall be Kohler Model K-2890-_____.

PRODUCT INFORMATION

Fixture*:		basin area	water depth
Lavatory		16" (40.6cm) x 12" (30.5cm)	5" (12.7cm)
Outlet	1-11/16" D. (4.3cm)		

* Approximate measurements for comparison only.

Included Components:	
Overflow ferrule (1)	84896
Basin clamp assembly	52047
Cutout template	114409-7



1.05>116

PRODUCT DIAGRAM