

VESSELS LAVATORY K-2371

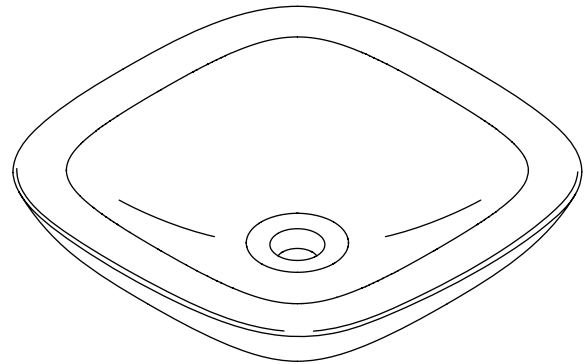
Features

- Glass
- Without overflow
- Above-the-counter installation
- 19-7/8" (50.5 cm) x 19-7/8" (50.5 cm)

Codes/Standards Applicable

Specified model meets or exceeds the following:

- IAPMO/UPC IGC 172
- CSA B45
- CSA B45.11



Colors/Finishes

- B10: Storm
- B11: Ice™

Accessories

- CP: Polished Chrome
- Other: Refer to Price Book for additional colors/finishes

Specified Model

Model	Description	Colors/Finishes	
K-2371	Vessels lavatory	<input type="checkbox"/> B10	<input type="checkbox"/> B11
Required Accessories			
K-7107	Decorative drain OR	<input type="checkbox"/> CP	<input type="checkbox"/> Other _____
K-7108	Decorative drain OR	<input type="checkbox"/> CP	<input type="checkbox"/> Other _____
K-7129	Grid drain	<input type="checkbox"/> CP	<input type="checkbox"/> Other _____

Product Specification

The vessels lavatory shall be made of glass. Lavatory shall be 19-7/8" (50.5 cm) in length and 19-7/8" (50.5 cm) in width. Lavatory shall be for above-the-counter installation. Lavatory shall be without overflow. Lavatory shall be Kohler Model K-2371-_____.

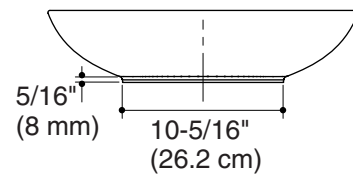
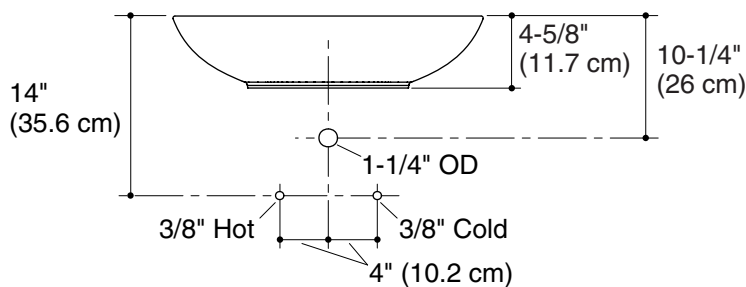
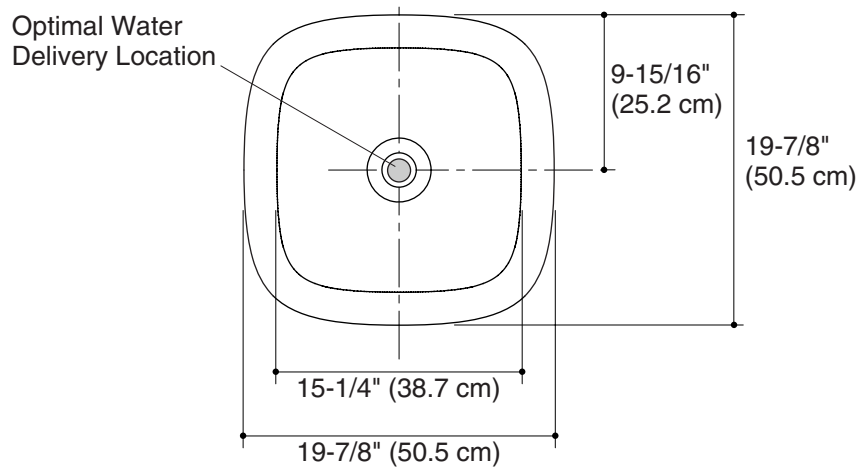
TORIC

Technical Information

Fixture*:	
Basin area	15-1/4" (38.7 cm) x 15-1/4" (38.7 cm)
Water depth	3-1/2" (8.9 cm)
Drain hole	1-5/8" (4.1 cm) D.
* Approximate measurements for comparison only.	
Included components:	
Drain gasket kit	1070246

Installation Notes

Install this product according to the installation guide.
Product does not have an overflow.



Product Diagram