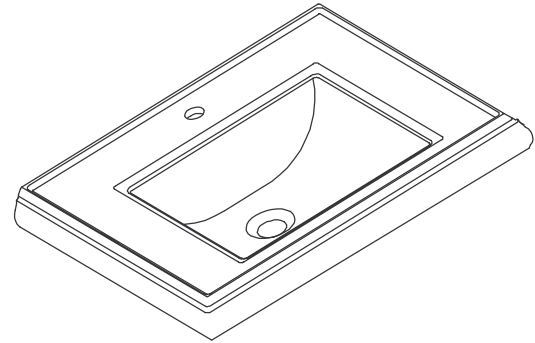


FEATURES

- 22-3/4" (57.8cm) x 18" (45.7cm)
- Vitreous china
- Self-rimming
- With overflow
- With sealant
- Single-hole (K-2241-1), 4" (10.2cm) centers (K-2241-4), or 8" (20.3cm) centers (K-2241-8) drilling



CODES/STANDARDS APPLICABLE

Specified model meets or exceeds the following:

- ASME/ANSI A112.19.2M
- IAPMO/UPC
- Canadian Standards Association (CSA)

COLORS/FINISHES

- 0 White
- Other Refer to Fixtures Price Book for additional colors

Accessories:

- CP Polished Chrome
- Other Refer to Faucets Price Book for additional finishes

SPECIFIED MODEL:

Model	Description	Colors/Finishes	
		<input type="checkbox"/> 0 White	<input type="checkbox"/> Other _____
K-2241-1	Single-hole lavatory	<input type="checkbox"/> 0 White	<input type="checkbox"/> Other _____
K-2241-4	4" (10.2cm) centers lavatory	<input type="checkbox"/> 0 White	<input type="checkbox"/> Other _____
K-2241-8	8" (20.3cm) centers lavatory	<input type="checkbox"/> 0 White	<input type="checkbox"/> Other _____
Recommended Accessories			
K-8998	Trap	<input type="checkbox"/> CP	<input type="checkbox"/> Other _____

PRODUCT SPECIFICATION:

The self-rimming lavatory shall be 22-3/4" (57.8cm) in length and 18" (45.7cm) in width. Lavatory shall be made of vitreous china. Lavatory shall have single-hole (K-2241-1), 4" (10.2cm) centers (K-2241-4), or 8" (20.3cm) centers (K-2241-8) drilling. Lavatory shall be Kohler Model K-2241-_____-_____.

PRODUCT INFORMATION

Fixture*:		basin area	water depth
Lavatory		17" (43.2cm) x 10" (25.4cm)	5" (12.7cm)
Drain hole	1-3/4" D. (4.4cm)		
* Approximate measurements for comparison only.			

Holes	K-2241-1	K-2241-4	K-2241-8
Spout	1-3/8" D. (3.5cm)	1-1/4" D. (3.2cm)	1-3/8" D. (3.5cm)
Faucet		1-1/4" D. (3.2cm)	1-3/8" D. (3.5cm)

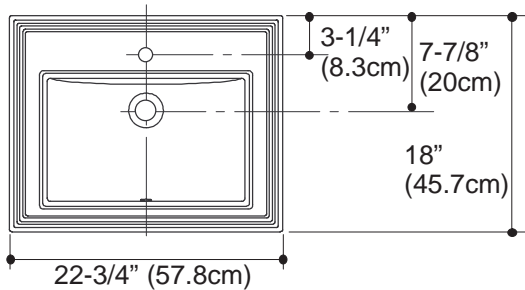
Included Components:	
Lavatory basin, single-hole	K-2241-1
Lavatory basin, 4" (10.2cm) centers	K-2241-4
Lavatory basin, 8" (20.3cm) centers	K-2241-8
Sealant	63034
Cutout template	115707-7

INSTALLATION NOTES

Install this product according to the installation guide.

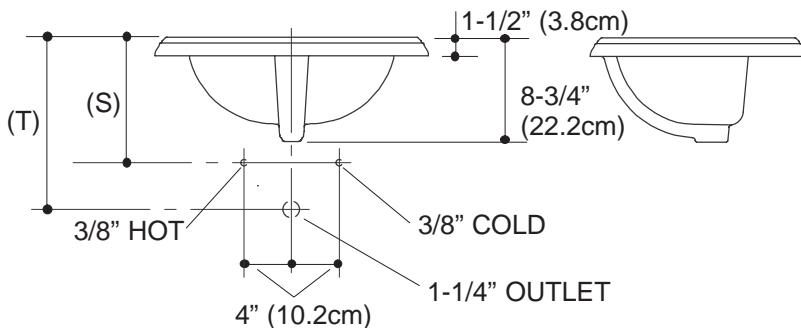
NOTICE: Countertop manufacturer or cutter **must** use the cut-out template provided with the product, or a current one provided by Kohler Co. (call 1-800-43-FOCUS). Kohler Co. is not responsible for cut-out errors when the incorrect cut-out template is used.

K-2241-1



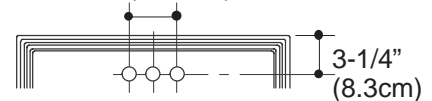
(T) Pop-up drain 14-3/8" (36.5cm), grid drain 13-1/2" (34.3cm).

(S) 10" (25.4cm) (Based on 12" (30.5cm) riser which may require cutting).



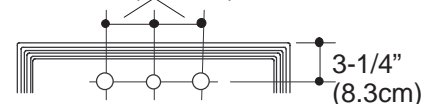
K-2241-4

4" (10.2cm)



K-2241-8

4" (10.2cm)



PRODUCT DIAGRAM