

COUNTERTOP LAVATORY

K-2075

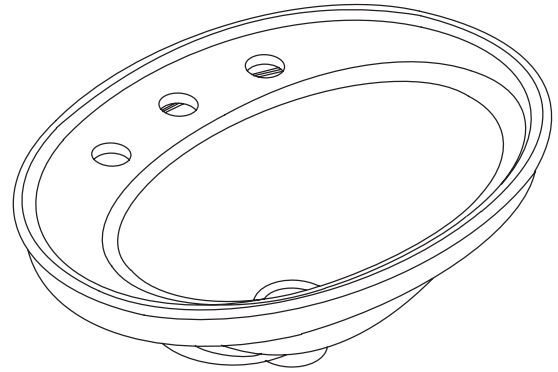
FEATURES

- 22-1/8" (56.2cm) x 16-1/4" (41.3cm)
- Vitreous China
- Self-rimming
- 8" (20.3cm) centers (-8), 4" (10.2cm) centers (-4), or single-hole (-1)
- With overflow

CODES/STANDARDS APPLICABLE

Specified model meets or exceeds the following:

- ASME/ANSI A112.19.2M



COLORS/FINISHES

- 0 White
- Other Refer to Fixtures Price Book for additional colors

Accessories:

- CP Polished Chrome
- Other Refer to Faucets Price Book for additional finishes

SPECIFIED MODEL:

Model	Description	Colors/Finishes	
K-2075-8	8" (20.3cm) centers lavatory	<input type="checkbox"/> 0 White	<input type="checkbox"/> Other _____
K-2075-4	4" (10.2cm) centers lavatory	<input type="checkbox"/> 0 White	<input type="checkbox"/> Other _____
K-2075-1	Single-hole lavatory	<input type="checkbox"/> 0 White	<input type="checkbox"/> Other _____

Recommended Accessories			
K-8998	Trap	<input type="checkbox"/> CP	<input type="checkbox"/> Other _____

PRODUCT SPECIFICATION:

The self-rimming lavatory shall be 22-1/8" (56.2cm) in length, 16-1/4" (41.3cm) in width. Lavatory shall be made of vitreous china. Lavatory shall have 8" (20.3cm) centers (-8), 4" (10.2cm) centers (-4), or single-hole (-1) drilling. Lavatory shall have overflow. Lavatory shall be Kohler Model K-2075-_____-_____.

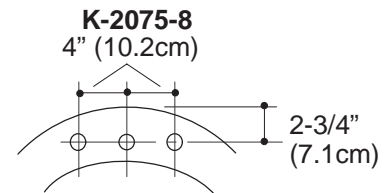
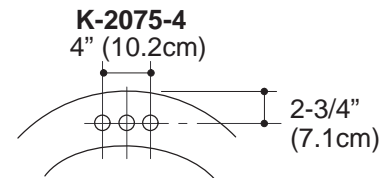
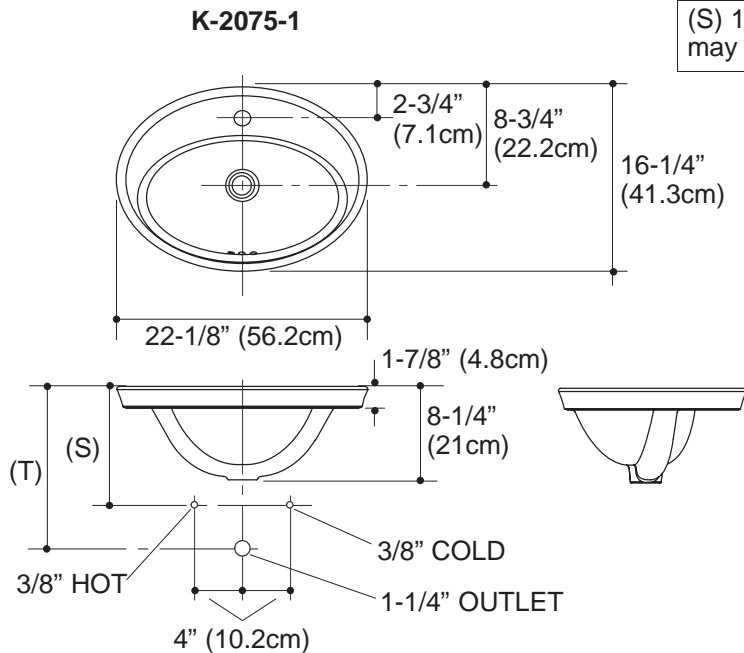
PRODUCT INFORMATION

Fixture*:		basin area	water depth
Lavatory		16-7/8" (42.9cm) x 10-1/8" (25.6cm)	4-7/8" (12.3cm)
Outlet	1-3/4" D. (4.4cm)		
Holes	K-2075-8	K-2075-4	K-2075-1
Spout	1-3/16" D. (3cm)	1-3/16" D. (3cm)	1-3/8" D. (3.5cm)
Faucet	1-3/8" D. (3.5cm)	1-3/16" D. (3cm)	

Included Components:	
Adhesive sealant	63034
Cutout template	1014189-7

(T) Pop-up drain 14-7/8" (37.8cm), grid drain 14" (35.6cm).

(S) 11-1/4" (28.6cm) (Based on 12" (30.5cm) riser which may require cutting).



PRODUCT DIAGRAM