

FEATURES

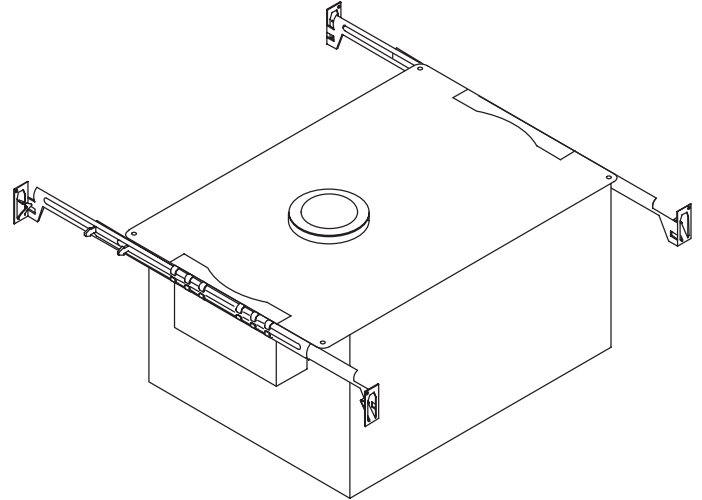
- 17-7/8" (45.4cm) x 10-3/4" (27.3cm) x 7-5/8" (19.4cm)
- Requires MR-16 bulb of 50 watts or less (not included)

K-1665

CODES/STANDARDS APPLICABLE

Specified model meets or exceeds the following:

- Underwriters Laboratories (UL)



COLORS/FINISHES

- CP Polished Chrome
- Other Refer to Fixtures Price Book for additional colors

SPECIFIED MODEL:

Model	Description	Colors/Finishes	
K-1665	Light fixture, insulated box	<input type="checkbox"/> CP	<input type="checkbox"/> Other _____

PRODUCT SPECIFICATION:

The Shower Light shall include a thermally-insulated housing with a 12-volt transformer. Light shall have a 4-5/16" (11cm) diameter finished trim ring. Light shall have a 2-3/4" (7cm) diameter frosted glass dome lens. Light shall use a MR16 bulb. Light shall be UL Listed for damp locations. Shower Light shall be Kohler Model K-1665-_____.

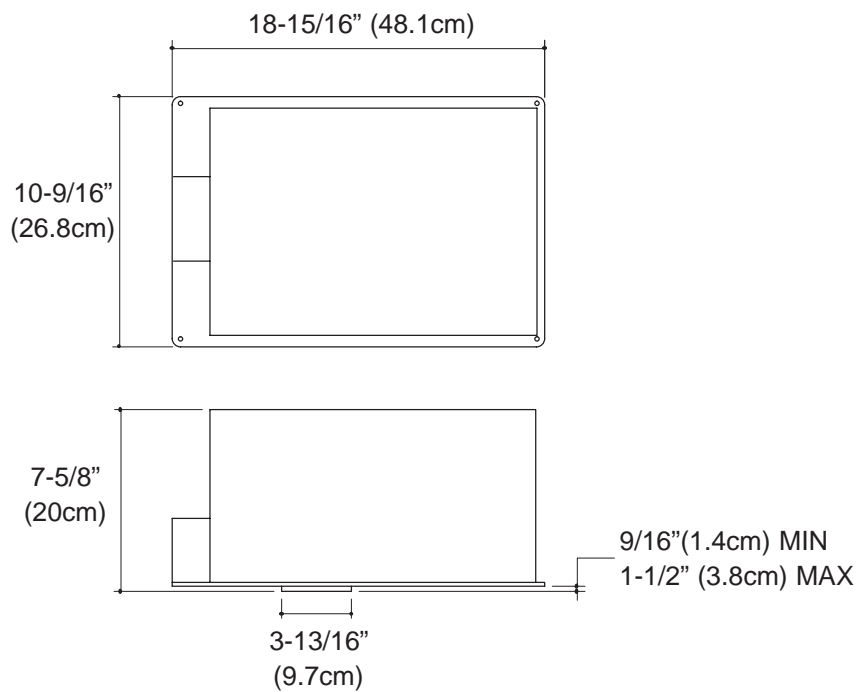
SHOWER LIGHT

REQUIRED ELECTRICAL SERVICE

Must be protected with Class A Ground-Fault Circuit-Interrupter (GFCI):

INSTALLATION NOTES

Refer to installation instructions included with fixture before beginning installation.



PRODUCT DIAGRAM