

COMFORT HEIGHT® TOILET K-3837

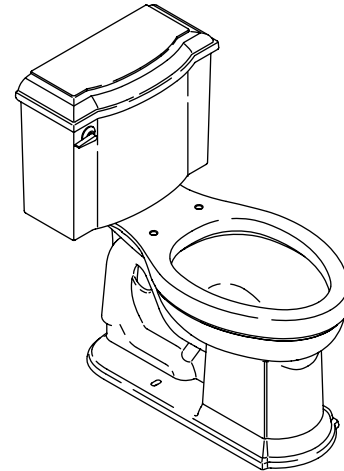
Features

- Vitreous china
- Elongated bowl
- Comfort Height®
- Class Five® flushing system
- Less seat and supply
- 12" (305 mm) rough-in
- 1.28 gpf (4.8 lpf)
- 2-1/8" (54 mm) glazed trapway
- 11-1/2" (292 mm) x 8-3/4" (222 mm) water area
- 29-1/4" (743 mm) x 17-1/4" (438 mm) x 30-3/4" (781 mm)

ADA

CSA B651

OBC



Codes/Standards Applicable

Specified model meets or exceeds the following:

- ADA
- ICC/ANSI A117.1
- CSA B651
- OBC
- ASME A112.19.2/CSA B45.1
- EPA WaterSense®

Colors/Finishes

- 0: White
- Other: Refer to Price Book for additional colors/finishes

Specified Model

Model	Description	Trip Lever	Colors/Finishes	
K-3837	Comfort Height toilet	left-hand	<input type="checkbox"/> 0	<input type="checkbox"/> Other_____
K-3837-RA	Comfort Height toilet	right-hand	<input type="checkbox"/> 0	<input type="checkbox"/> Other_____

Recommended Accessories

K-4650	Lustra™ open-front seat with cover– for Accessibility compliance	<input type="checkbox"/> 0			<input type="checkbox"/> Other_____
K-7637	Angle supply with stop – 3/8" NPT		<input type="checkbox"/> CP	<input type="checkbox"/> PB	<input type="checkbox"/> Other_____

Optional Accessories

K-9167-L	Trip lever (non-CP) – left-hand		<input type="checkbox"/> PB	<input type="checkbox"/> Other_____
K-9167-R	Trip lever (non-CP) – right-hand		<input type="checkbox"/> PB	<input type="checkbox"/> Other_____

Product Specification

The elongated bowl toilet shall be made of vitreous china. Toilet shall be 29-1/4" (743 mm) in length, 17-1/4" (438 mm) in width, and 30-3/4" (781 mm) in height with a 11-1/2" (292 mm) x 8-3/4" (222 mm) water area. Toilet shall be Comfort Height. Toilet shall be rated at 1.28 gpf (4.8 lpf) with Class Five® flushing system. Toilet shall be 12" (305 mm) rough-in with a 2-1/8" (54 mm) glazed trapway. Toilet shall be less seat and supply. Toilet shall be Kohler Model K-3837-_____.

