

## CIMARRON® CLASS 6™

### COMFORT HEIGHT™ COMBINATION ELONGATED TOILET K-3609

#### Features

- Vitreous china
- Combination toilet
- Elongated bowl
- 12" (30.5 cm) rough-in
- 1.28 gpf (4.8 lpf)
- Less seat and supply
- 2-1/8" (5.4 cm) glazed trapway
- Available with KOHLER Artist Editions designs
- Class 6™ flushing system
- 10-1/2" (26.7 cm) x 7-1/8" (18.1 cm) water area
- 28-3/4" (73 cm) x 17-5/8" (44.7 cm) x 30-3/4" (78.1 cm)

ADA



#### Codes/Standards Applicable

Specified model meets or exceeds the following:

- ADA
- ASME A112.19.2/CSA B45.1
- EPA WaterSense®
- ICC/ANSI A117.1

#### Colors/Finishes

- 0: White
- Other: Refer to Price Book for additional colors/finishes

#### Accessories

- CP: Polished Chrome
- PB: Vibrant® Polished Brass
- Other: Refer to Price Book for additional colors/finishes

#### Specified Model

Model	Description	Trip Lever	Colors/Finishes	
K-3609	Elongated front	left-hand	<input type="checkbox"/> 0	<input type="checkbox"/> Other_____
K-3609-RA	Elongated bowl	right-hand	<input type="checkbox"/> 0	<input type="checkbox"/> Other_____
K-3609-T	Elongated front, tank lock	left-hand	<input type="checkbox"/> 0	<input type="checkbox"/> Other_____
K-3609-TR	Elongated front, tank lock	right-hand	<input type="checkbox"/> 0	<input type="checkbox"/> Other_____

#### Recommended Accessories

K-4664	Brevia™ seat with cover	<input type="checkbox"/> 0		<input type="checkbox"/> Other_____
--------	-------------------------	----------------------------	--	-------------------------------------

#### Product Specification

The elongated combination toilet shall be made of vitreous china. Toilet shall be 28-3/4" (73 cm) in length, 17-5/8" (44.7 cm) in width, and 30-3/4" (78.1 cm) in height with a 10-1/2" (26.7 cm) x 7-1/8" (18.1 cm) water area. Toilet shall be 12" (30.5 cm) rough-in and 2-1/8" (5.4 cm) glazed trapway. Toilet shall be 1.28 gpf (4.8 lpf) with Class 6™ flushing system. Toilet shall be available with KOHLER Artist Editions designs. Toilet shall be Kohler Model K-3609-\_\_\_\_\_.

# CIMARRON® CLASS 6™

## Recommended Accessories (Cont.)

K-4660	Lustra™ open front toilet seat – for ADA compliant installation	<input type="checkbox"/> 0		<input type="checkbox"/> Other_____
K-7637	3/8" Angle supply with stop		<input type="checkbox"/> CP <input type="checkbox"/> PB	<input type="checkbox"/> Other_____

## Technical Information

Fixture:	
Configuration	two-piece, elongated
Water per flush	1.28 gal (4.8 L)
Passageway	2-1/8" (5.4 cm)
Water area	10-1/2" (26.7 cm) x 7-7/8" (20 cm)
Water depth from rim	6-3/8" (16.2 cm)
Seat post hole centers	5-1/2" (14 cm)

Included components:	
Bowl	K-4309
Tank cover	1086929

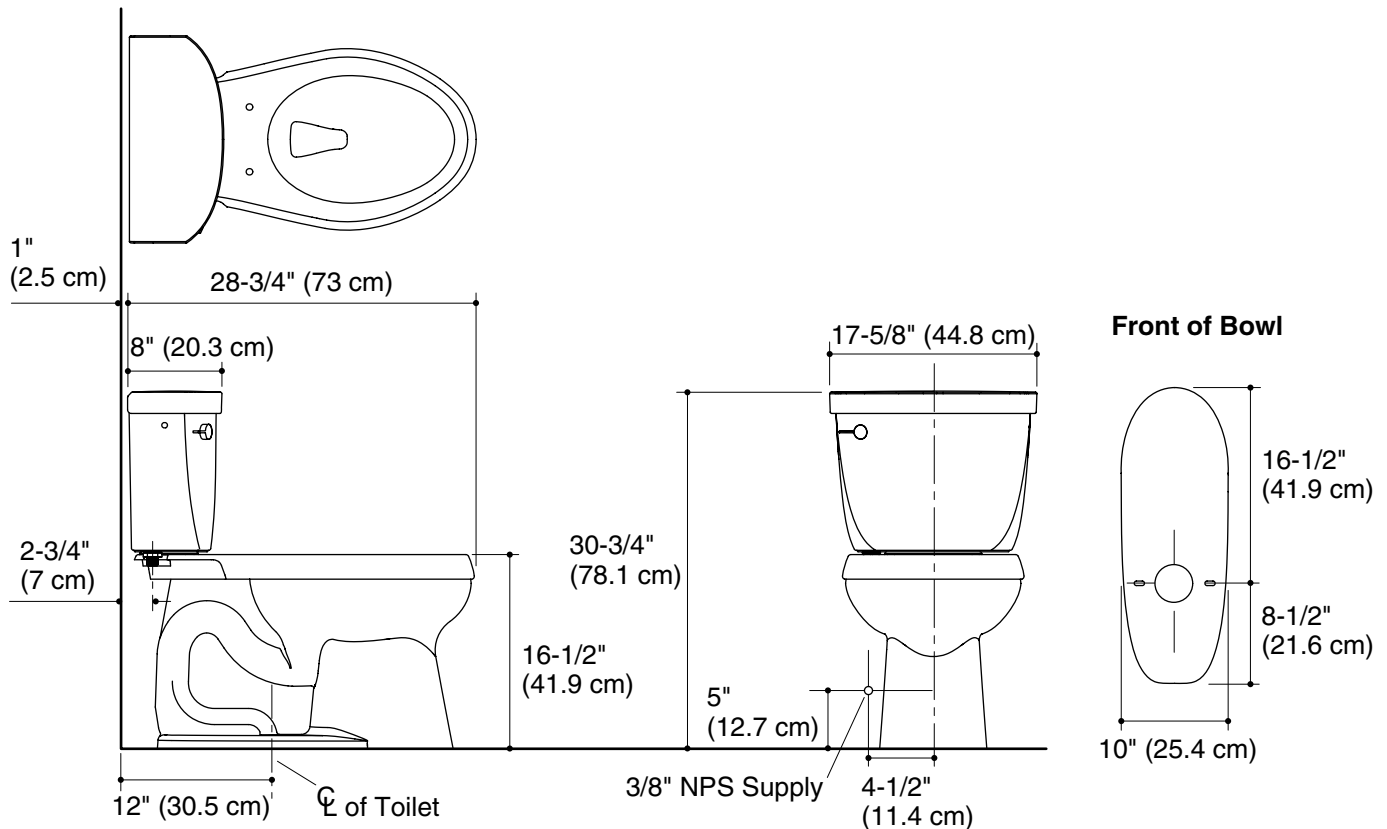
Included components:	
Trip lever, left-hand	1059436
Bolt cap accessory pack	1013092
Tank accessory pack	1016548
Tank, left-hand trip lever, 1.28 gpf (4.8 lpf)	K-4421

## Installation Notes

Install this product according to the installation guide.

Will comply with the American Disabilities Act (ADA) when installed per the requirements of the Accessibility Guidelines, Section 604 Water Closets, of the Act. Plumbing Codes require open-front elongated seats in public use bathrooms.

Section 604 states the required height of the toilet is 17" (43.2 cm) to 19" (48.3 cm) from the floor to the top of the seat to meet ADA requirements.



## Product Diagram