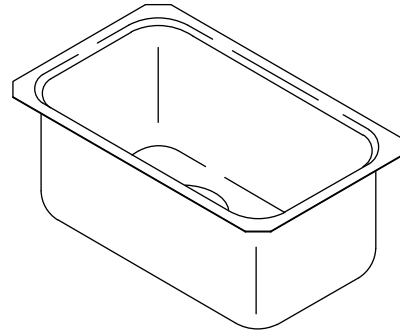


### Features

- 18-gauge stainless steel
- Under-mount
- Single compartment
- Squared bowl(s)
- Includes installation hardware
- 9" (229 mm) x 15-3/4" (400 mm)

### UNDER-MOUNT KITCHEN SINK K-3333



### Codes/Standards Applicable

Specified model meets or exceeds the following:

- ASME A112.19.3/CSA B45.4

### Colors/Finishes

- NA: None applicable

### Accessories

- CP: Polished Chrome
- NA: None applicable
- Other: Refer to Price Book for additional colors/finishes

### Specified Model

Model	Description	Colors/Finishes		
K-3333	Under-mount kitchen sink	<input type="checkbox"/> NA		
Optional Accessories				
K-8801	Duostrainer® sink strainer		<input type="checkbox"/> CP	<input type="checkbox"/> Other_____
K-2989	Countertop cutting board	<input type="checkbox"/> NA		

### Product Specification

The under-mount kitchen sink shall be made of 18-gauge stainless steel. Sink shall be 9" (229 mm) in length and 15-3/4" (400 mm) in width. Sink shall be single compartment with squared bowl. Sink shall include installation hardware. Sink shall be Kohler Model K-3333-NA.

# UNDERTONE®

## Technical Information

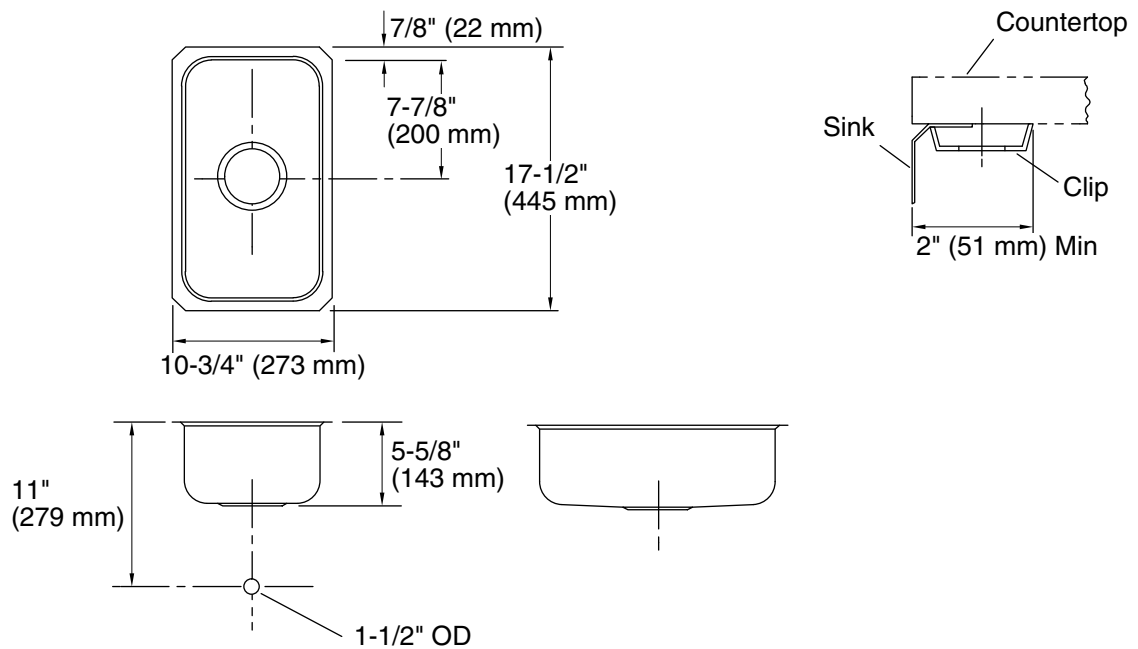
Fixture*:	
Bowl area	9" (229 mm) x 15-3/4" (400 mm)
Water depth	5-1/2" (140 mm)
Drain hole	Ø 3-5/8" (92 mm)
*Approximate measurements for comparison only.	

Included components:	
Hardware kit	91915
Cut-out template	113194-7

## Installation Notes

Install this product according to the installation guide.

Allow a minimum of 2" (51 mm) clearance around the sink rim for clip attachment.



## Product Diagram