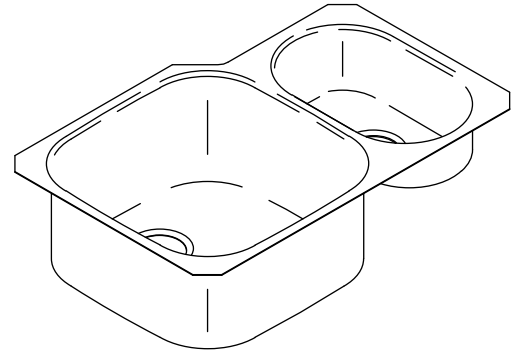


### UNDER-MOUNT KITCHEN SINK K-3355

#### Features

- 18-gauge stainless steel
- Under-mount
- Rounded bowl(s)
- Includes installation hardware
- 9-1/2" (241 mm) deep left bowl and 5-1/2" (140 mm) deep right bowl (K-3355)
- 5-1/2" (140 mm) deep left bowl and 9-1/2" (241 mm) deep right bowl (K-3355-L)
- 28-1/2" (724 mm) x 17-7/8" (454 mm)



#### Codes/Standards Applicable

Specified model meets or exceeds the following:

- ASME A112.19.3/CSA B45.4

#### Colors/Finishes

- NA: None applicable

#### Accessories

- CP: Polished Chrome
- 0: White
- NA: None applicable
- Other: Refer to Price Book for additional colors/finishes

#### Specified Model

Model	Description	Colors/Finishes
K-3355	Under-mount sink with 9-1/2" (241 mm) deep left bowl and 5-1/2" (140 mm) deep right bowl	<input type="checkbox"/> NA
K-3355-L	Under-mount sink with 5-1/2" (140 mm) deep left bowl and 9-1/2" (241 mm) deep right bowl	<input type="checkbox"/> NA

Optional Accessories			
K-2989	Countertop cutting board	<input type="checkbox"/> NA	
K-3191	Bottom bowl rack (for large bowl)	<input type="checkbox"/> 0	<input type="checkbox"/> Other _____
K-3279	Wire rinse basket (for large bowl)	<input type="checkbox"/> 0	<input type="checkbox"/> Other _____
K-3292	Hardwood cutting board/colander set (for small bowl)	<input type="checkbox"/> NA	
K-8801	Duostrainer® sink strainer	<input type="checkbox"/> CP	<input type="checkbox"/> Other _____

#### Product Specification

The under-mount kitchen sink shall be 28-1/2" (724 mm) in length and 17-7/8" (454 mm) in width. Sink shall be made of 18-gauge stainless steel. Sink shall feature a double (high/low) rounded bowl. Kohler Model K-3355 sink shall have a 9-1/2" (241 mm) deep left bowl and a 5-1/2" (140 mm) deep right bowl. Kohler Model K-3355-L sink shall have a 5-1/2" (140 mm) deep left bowl and a 9-1/2" (241 mm) deep right bowl. Sink shall include installation hardware. Sink shall be Kohler Model K-3355-\_\_\_\_\_.

# UNDERTONE®

## Technical Information

**Dimensions shown for K-3355;** sink dimensions are opposite for K-3355-L.

Fixture*:	Bowl area	Water depth
Sink, left	18" (457 mm) x 18" (457 mm)	9-1/2" (241 mm)
Sink, right	9" (229 mm) x 15" (381 mm)	5-1/2" (140 mm)
Drain holes	Ø 3-5/8" (92 mm)	

\* Approximate measurements for comparison only.

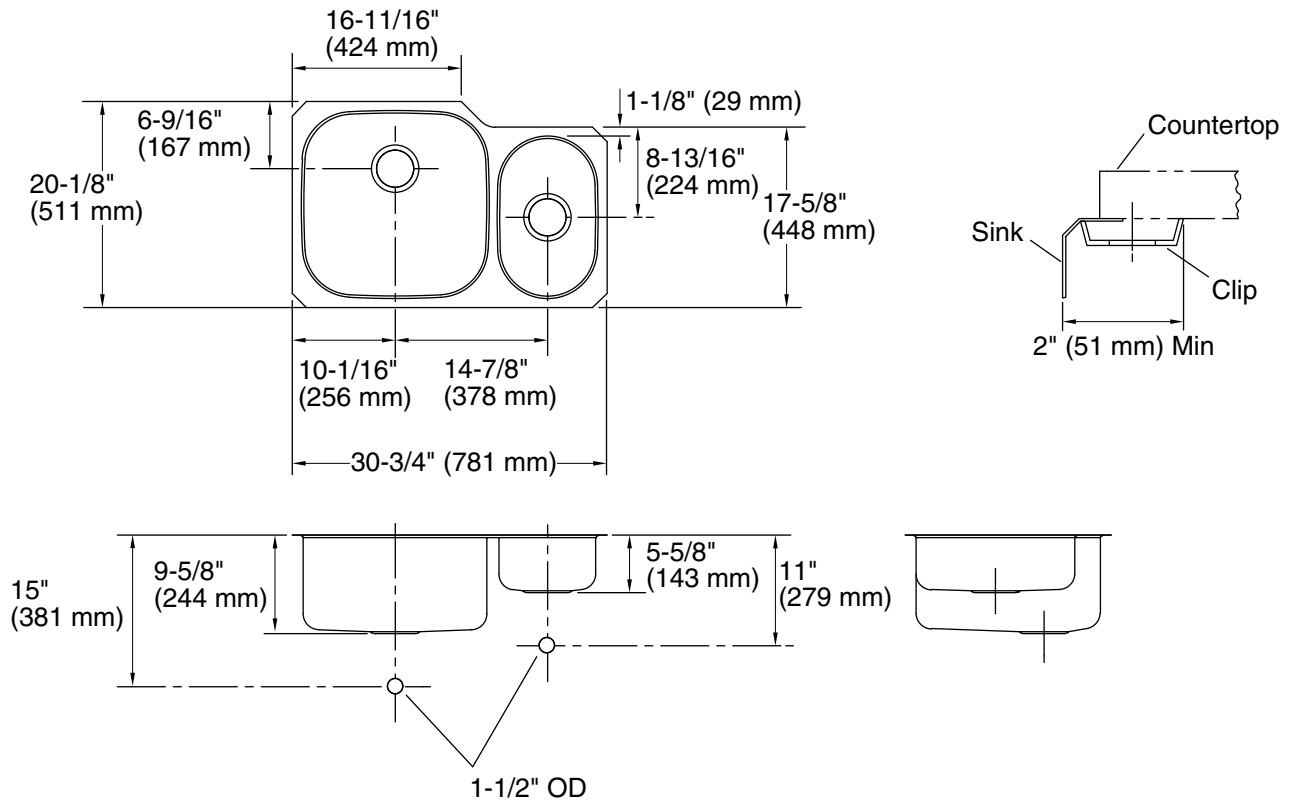
Included Components:

Hardware kit (4 required)	91915
Cut-out template (K-3355)	1040559-7
Cut-out template (K-3355-L)	1024993-7

## Installation Notes

Install this product according to the installation guide.

Allow a minimum of 2" (51 mm) clearance around the sink rim for clip attachment.



## Product Diagram