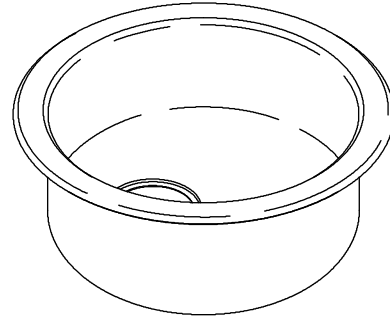


Features

- 19-gauge stainless steel
- Top-mount or under-mount
- Single bowl
- Rounded bowl(s)
- Includes SilentShield® sound-absorption technology
- Includes installation hardware
- 18-3/8" (467 mm) diameter (top-mount)
- 15" (381 mm) diameter (under-mount)

TOP-MOUNT/UNDER-MOUNT KITCHEN SINK **K-3341** ALSO K-14302



Codes/Standards Applicable

Specified model meets or exceeds the following:

- ASME A112.19.3/CSA B45.4

Colors/Finishes

- NA: None applicable
- SBV: Satin Bronze

Accessories

- 0: White
- CP: Polished Chrome
- NA: None applicable
- Other: Refer to Price Book for additional colors/finishes

Specified Model

Model	Description	Colors/Finishes
K-3341	Top-mount/under-mount – kitchen sink	<input type="checkbox"/> NA
K-14302	Top-mount/under-mount – bar sink	<input type="checkbox"/> SVB

Optional Accessories					
K-6004	Bottom bowl rack	<input type="checkbox"/> 0			<input type="checkbox"/> Other_____
K-6514	Hardwood cutting board		<input type="checkbox"/> NA		
K-6518	Wire rinse basket	<input type="checkbox"/> 0			<input type="checkbox"/> Other_____
K-8801	Duostrainer® sink strainer			<input type="checkbox"/> CP	<input type="checkbox"/> Other_____
K-8813	Stainless steel sink strainer with tailpiece			<input type="checkbox"/> CP	
K-8814	Stainless steel sink strainer less tailpiece			<input type="checkbox"/> CP	

Product Specification

The round sink shall be 18-3/8" (467 mm) in diameter when installed as top-mount or 15" (381 mm) in diameter when installed as under-mount. Sink shall be made of 19-gauge stainless steel. Sink shall be single bowl. Sink shall include installation hardware. Sink shall include SilentShield sound-deadening system. Sink shall be Kohler Model K-_____-_____.

UNDERTONE[®]/LYRIC[™]

Technical Information

Fixture*:	
Bowl area	Ø 15" (381 mm)
Water depth	7-1/2" (191 mm)
Drain hole	Ø 3-5/8" (92 mm)
*Approximate measurements for comparison only.	

Included components:	
Lug pack (top-mount)	7257
Clamp accessory pack (under-mount)	52047
Cut-out template	113392-7

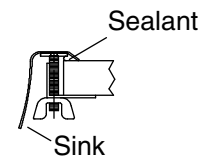
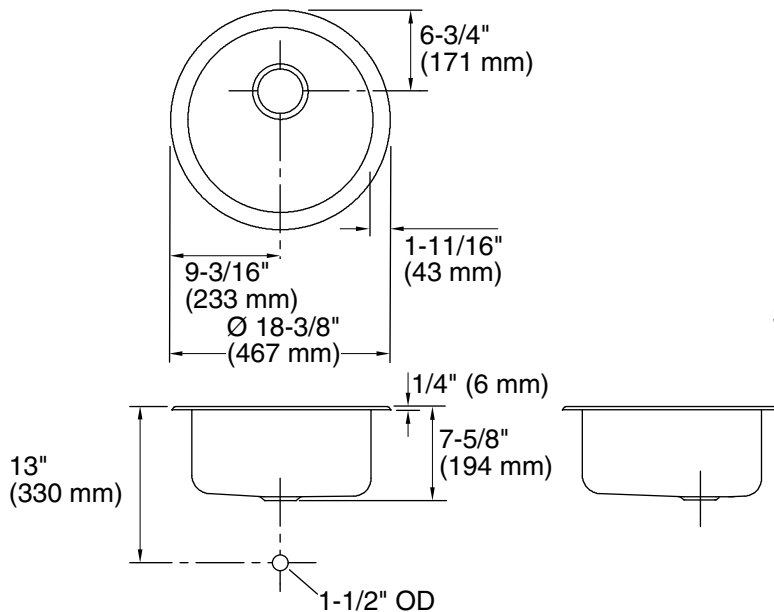
Installation Notes

Install this product according to the installation guide.

Supplied bowl clamp assemblies require 1" (25 mm) minimum countertop thickness. Installer must supply hardware for thinner countertops.

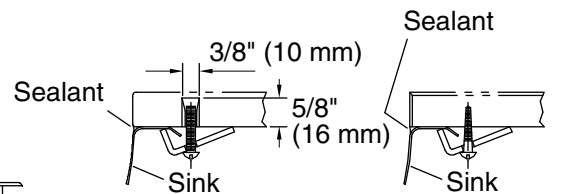
For multiple bowl under-mount installations, a minimum distance of 3-1/2" (89 mm) is required between bowls. Countertop supplier to determine required support.

Waterproof unprotected overhang area of the underside of wood counter.



Top-Mount Installation

Kit #7257



Marble-slab Installation

Wood Counter Installation

Kit #52047

Product Diagram

UNDERTONE[®]/LYRIC[™] TOP-MOUNT/UNDER-MOUNT KITCHEN SINK

Page 2 of 2
114001-4-AG

THE BOLD LOOK
OF **KOHLER**[®]